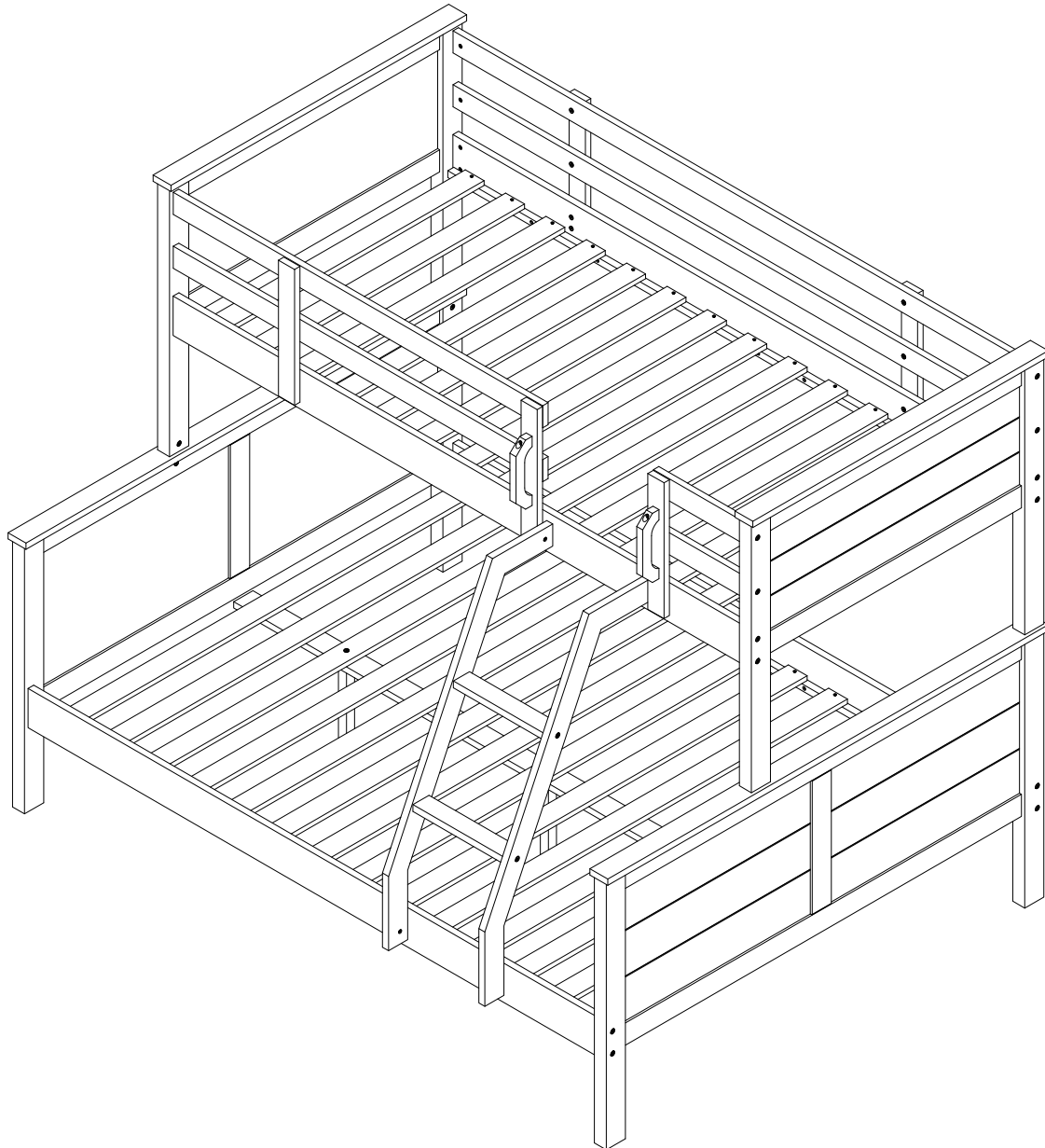


ASSEMBLY INSTRUCTION

MODEL : WS2003BDSWH/WS2003BDSBK LAINE DOUBLE/SINGLE BUNK WHITE/BLACK
(930/1400 x 1930)MM - AS/NZS 4220:2010



WARNING :
TOP BUNKS AND ELEVATED BEDS ARE DANGEROUS AND ARE NOT RECOMMENDED FOR CHILDREN UNDER THE AGE OF 9

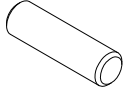

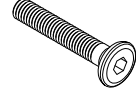
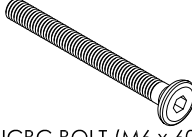
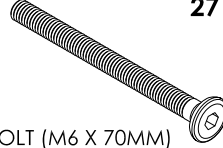

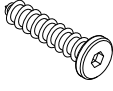
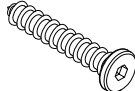

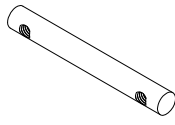
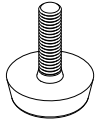
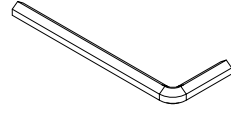
Falls from elevated beds can be fatal and deaths have occurred where children have fallen from elevated beds. This is relevant for all ages. The risk is greater for younger children.

The risk injury or death from a fall from an elevated bed compared to a non-elevated bed is :
10 x greater for 7-8 year olds
7 x greater for 9-10 year olds
3 x greater for 11-12 year olds

TO HELP PREVENT serious or fatal injuries from entrapment of falls :

- Use the correct size mattress as specified.
- It must be at least 6.25" (160mm) below upper edge of guardrails.
- Follow written instructions with this bed.
- Use guardrails on both sides of upper bunk.
- Prohibits horseplay on or under bed.
- Check the bunk bed periodically to ensure that the guardrail, access device and other components are maintained in the correct position and state of repair and that all connectors are tight.
- Prohibit more than one person on upper bunk.
- The upper bunk must be more than 2m from any ceiling fan.

HARDWARE LIST

A  PLASTIC DOWEL (M10 x 35MM)	B  JCBC BOLT (M6 x 10MM)	C  JCBC BOLT (M6 x 25MM)
D  JCBC BOLT (M6 x 60MM)	E  JCBC BOLT (M6 X 70MM)	F  JRN NUT (M6 X 13MM)
G  JCBC W SCREW (M7 X 32MM)	H  JCBC W SCREW (M7 X 40MM)	J  CSK C/B SCREW (M4 X 32MM)
K  METAL PIN WITH 2 HOLES (M10 X 80MM)	L  BASE GLIDE L190 (M6 X 23MM)	M  ALLEN KEY (M4 X 60MM)

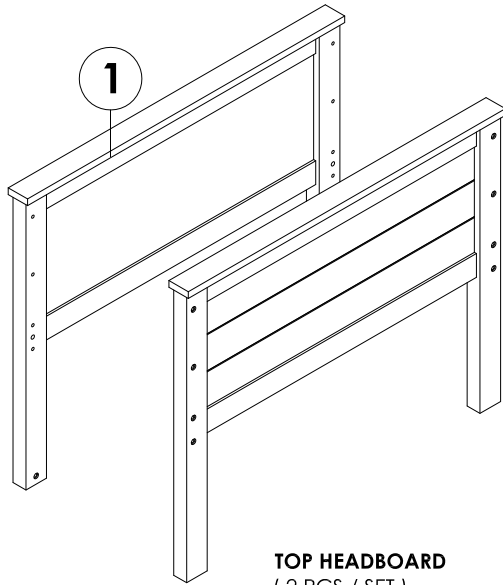
- The assembly will require at least two people to complete.
- Make sure all the fasteners are tight.
- Due to the size of this bed, It must be assembled within the space it will occupy.
- Above all, take your time and read the instruction carefully.



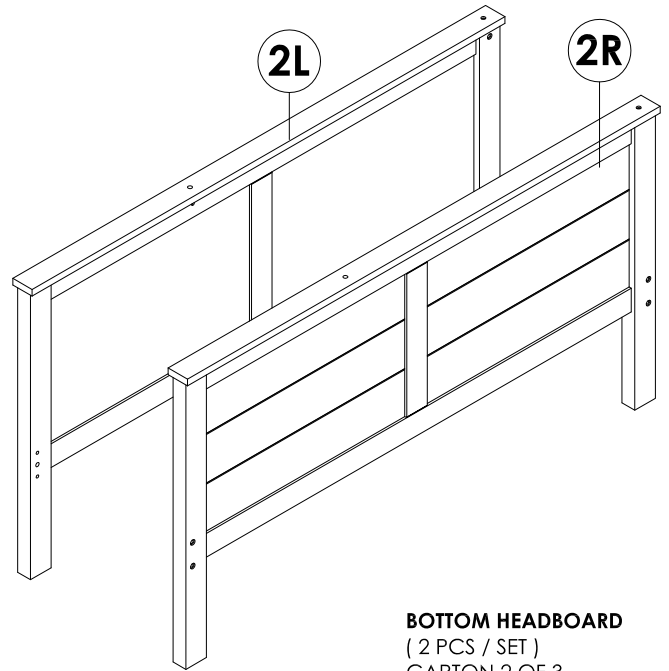
Do not recommend the use of power drills/drivers for inserting bolts/screws as this could damage the unit.

Tools Required :
Crosshead Screw Driver

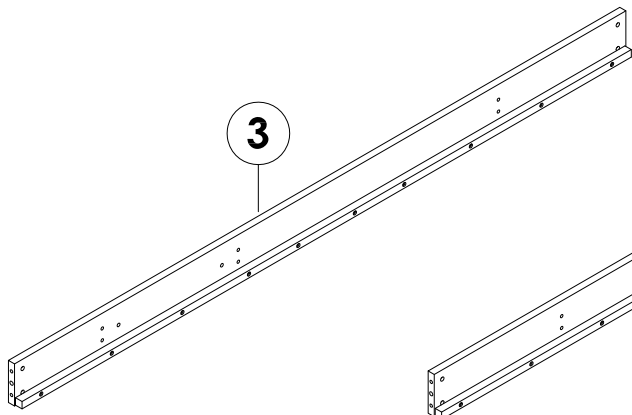
PART LIST



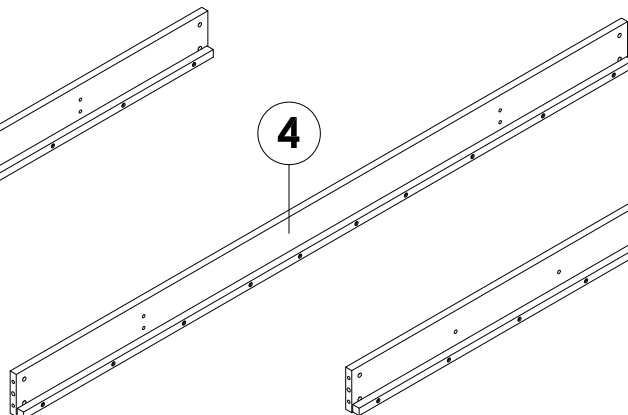
TOP HEADBOARD
(2 PCS / SET)
CARTON 1 OF 3



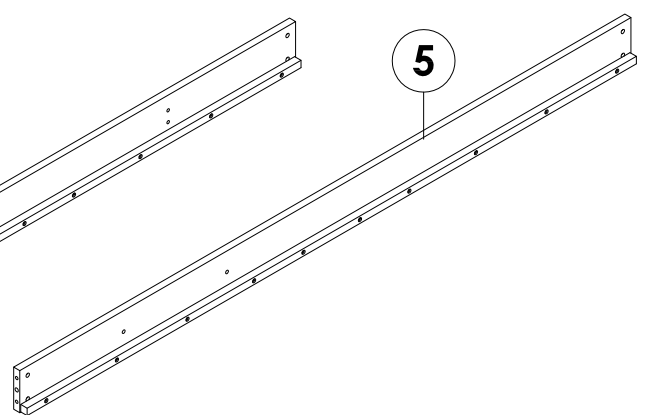
BOTTOM HEADBOARD
(2 PCS / SET)
CARTON 2 OF 3



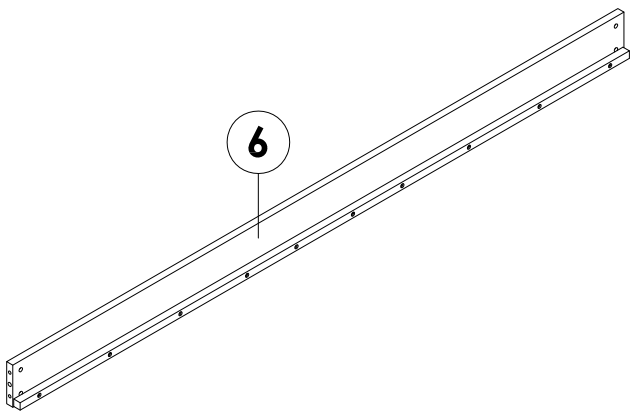
TOP SIDE RAIL (FRONT)
(1 PC / SET)
CARTON 3 OF 3



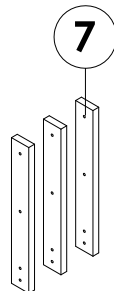
TOP SIDE RAIL (REAR)
(1 PC / SET)
CARTON 3 OF 3



BOTTOM SIDE RAIL (FRONT)
(1 PC / SET)
CARTON 3 OF 3



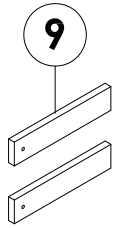
BOTTOM SIDE RAIL (REAR)
(1 PC / SET)
CARTON 3 OF 3



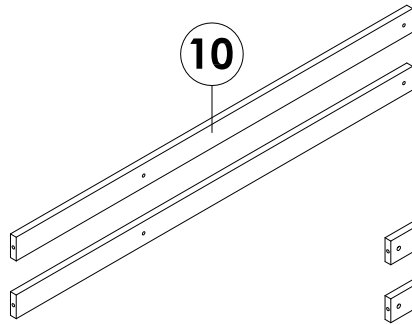
GUARD RAIL SUPPORT
(3 PCS / SET)
CARTON 3 OF 3



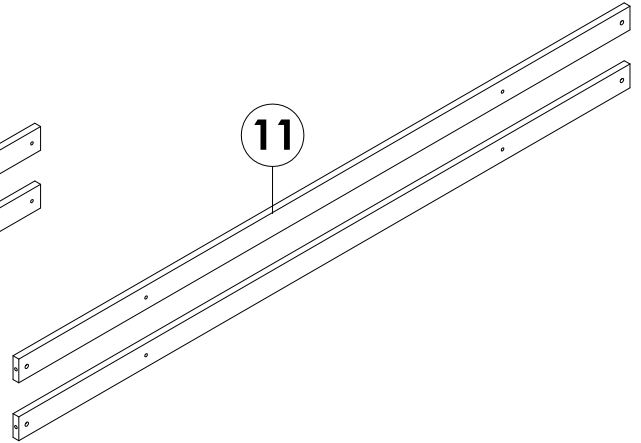
GUARD RAIL SUPPORT (GRIP SIDE)
(2 PCS / SET)
CARTON 3 OF 3



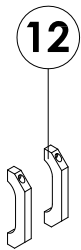
SHORT GUARD RAIL
(2 PCS / SET)
CARTON 3 OF 3



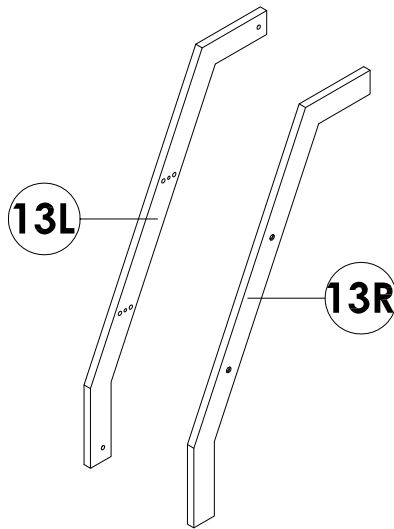
SEMI GUARD RAIL
(2 PCS / SET)
CARTON 3 OF 3



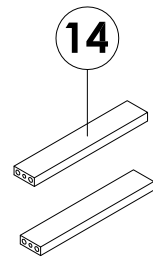
FULL GUARD RAIL
(2 PCS / SET)
CARTON 3 OF 3



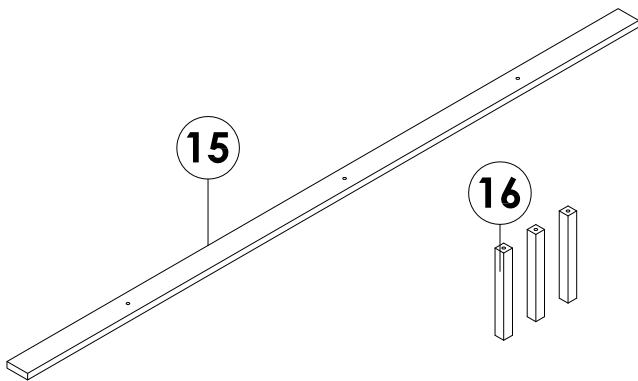
GRIP
(2 PCS / SET)
CARTON 3 OF 3



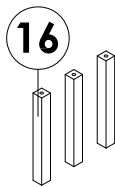
LADDER SIDE (L/R)
(2 PCS / SET)
CARTON 3 OF 3



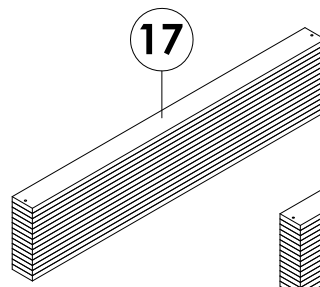
LADDER SLAT
(2 PCS / SET)
CARTON 3 OF 3



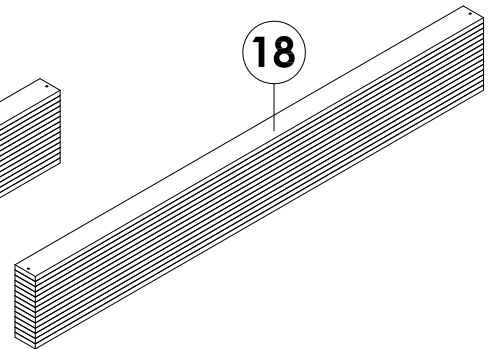
CENTER SUPPORT
(1 PC / SET)
CARTON 3 OF 3



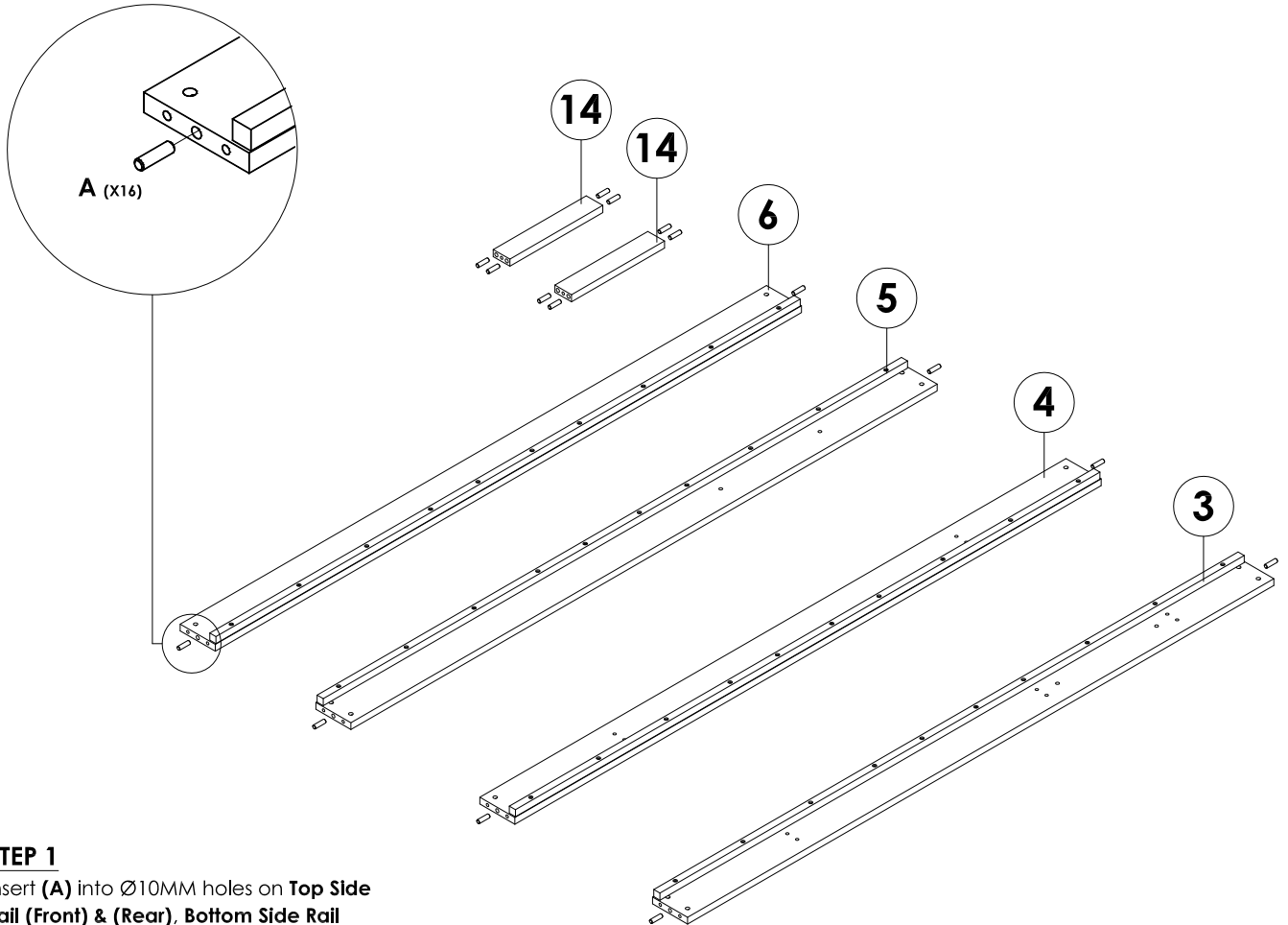
SUPPORT LEG
(3 PCS / SET)
CARTON 3 OF 3



TOP WOODEN SLAT
(14 PCS / SET)
CARTON 1 OF 3

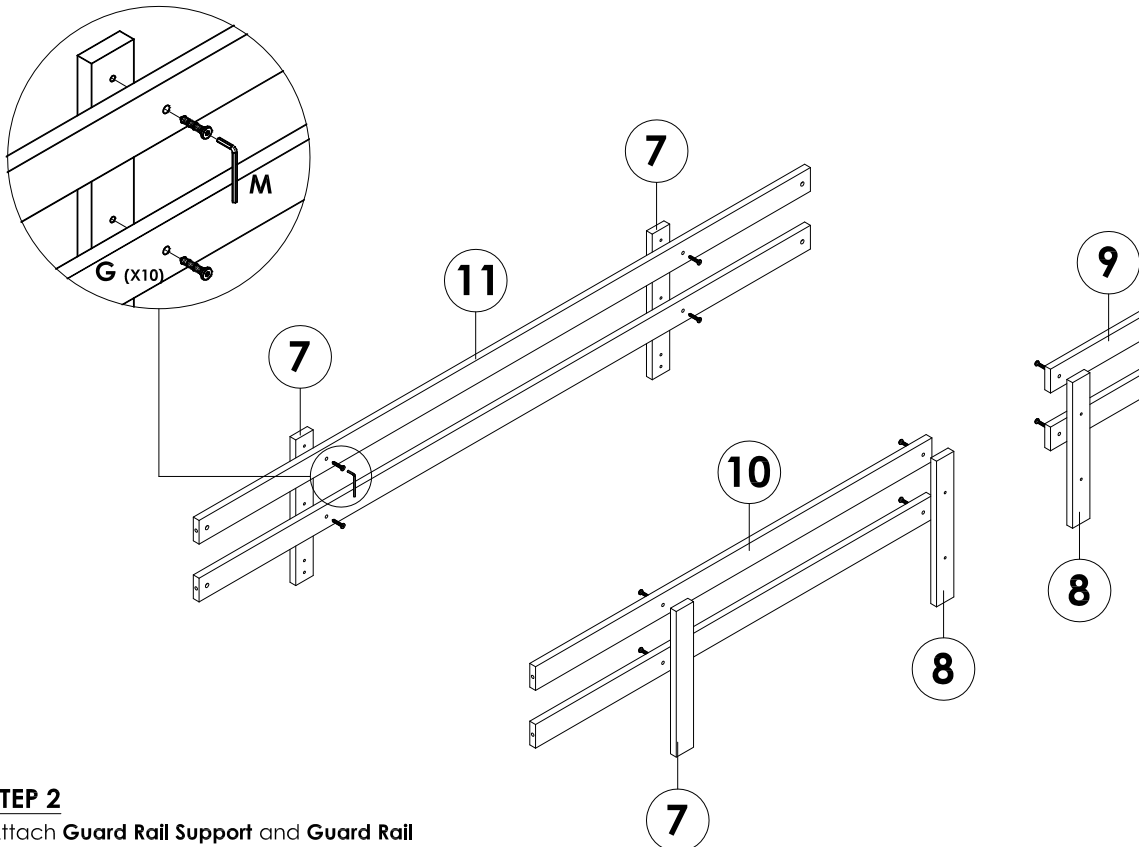


BOTTOM WOODEN SLAT
(14 PCS / SET)
CARTON 2 OF 3



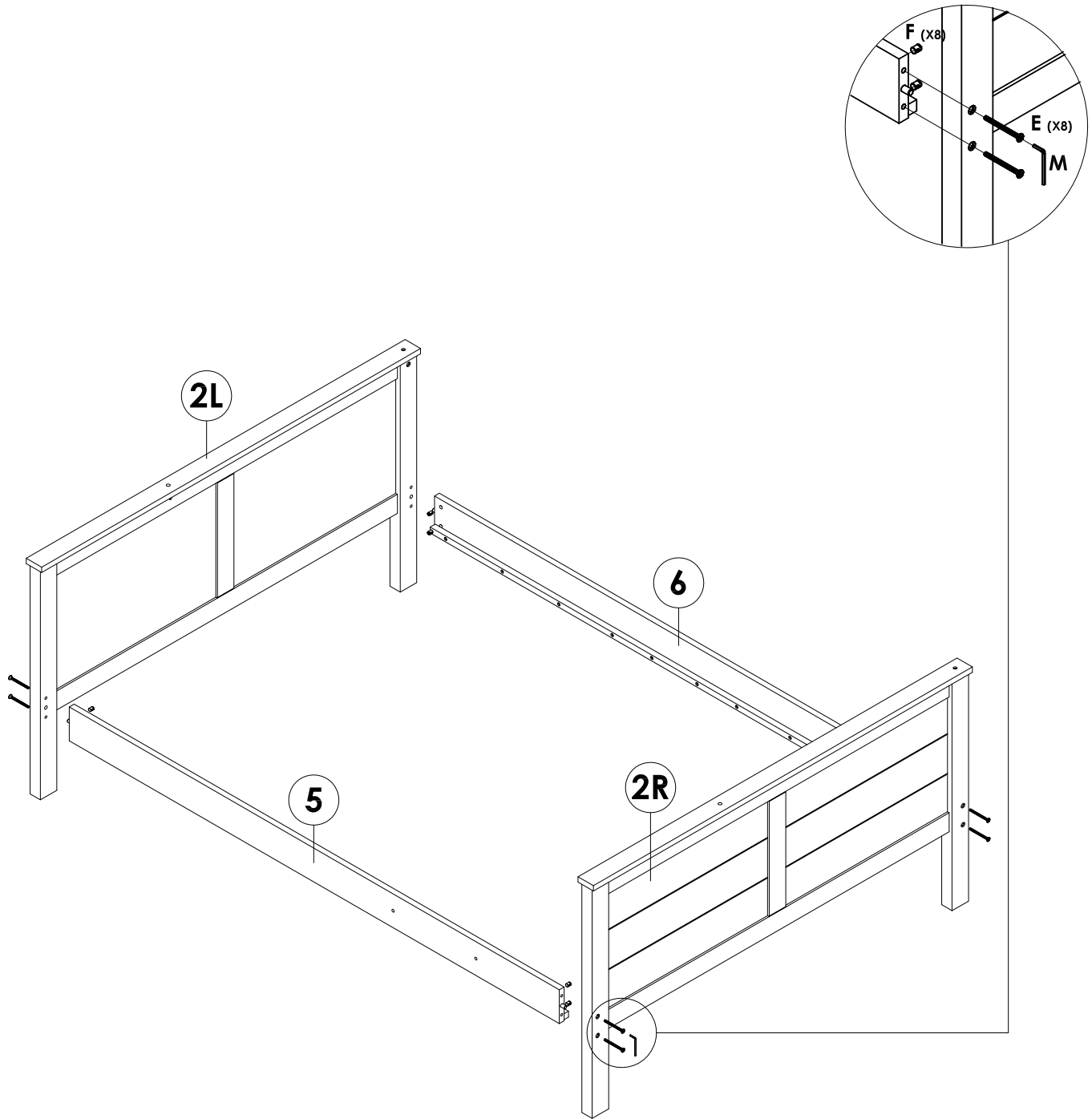
STEP 1

Insert **(A)** into $\varnothing 10\text{MM}$ holes on **Top Side Rail (Front) & (Rear), Bottom Side Rail (Front) & (Rear)** and **Ladder Slat**.



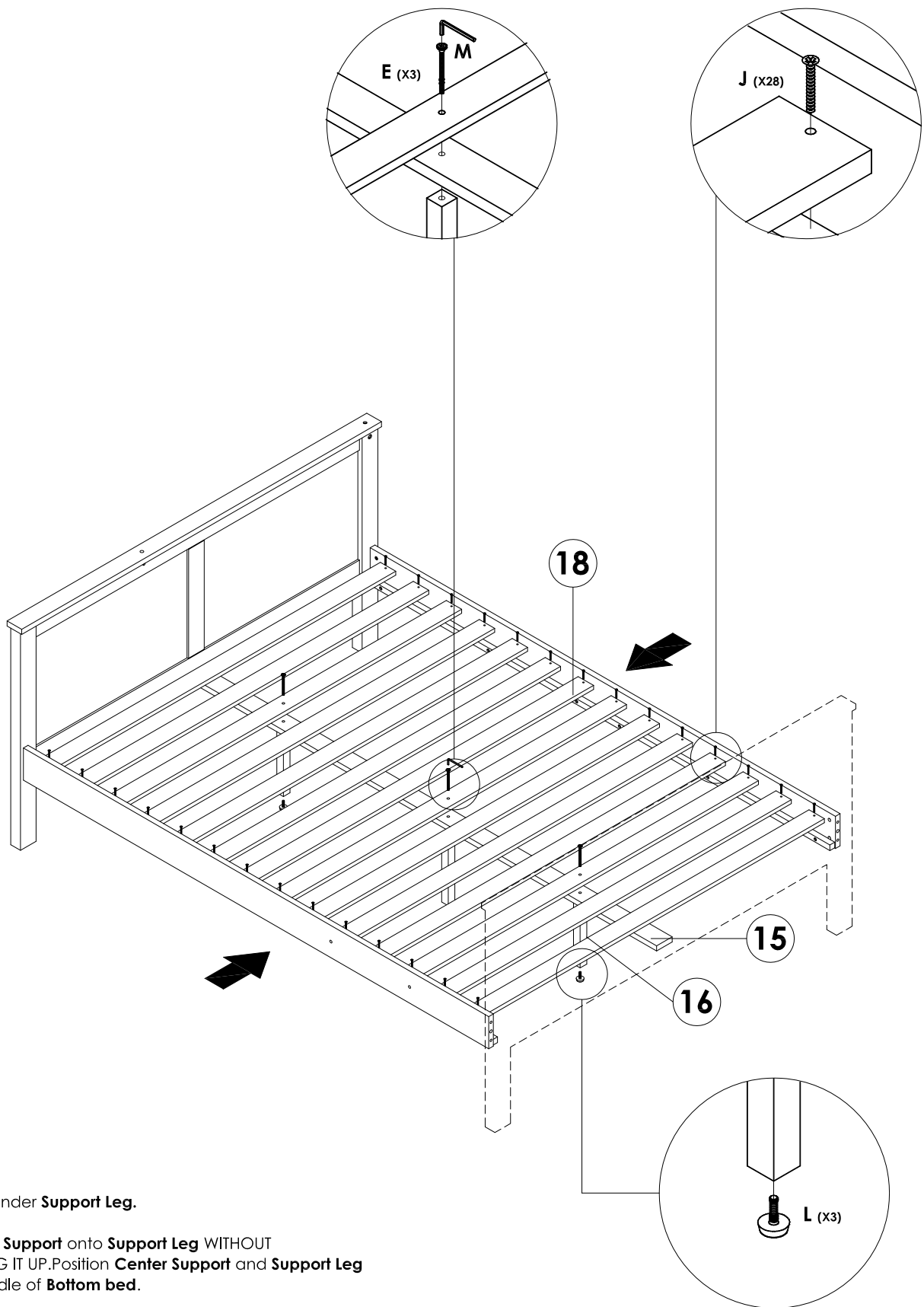
STEP 2

Attach **Guard Rail Support** and **Guard Rail Support (Grip side)** to **Short Guard Rail, Semi Guard Rail** and **Full Guard Rail** by using **(G)** and tighten it up by using **(M)**.



STEP 3

Attach **Bottom Side Rail (Front) & (Rear)** to **Bottom Headboard** by using **(E)** and **(F)**, tighten it up by using **(M)**.



STEP 4

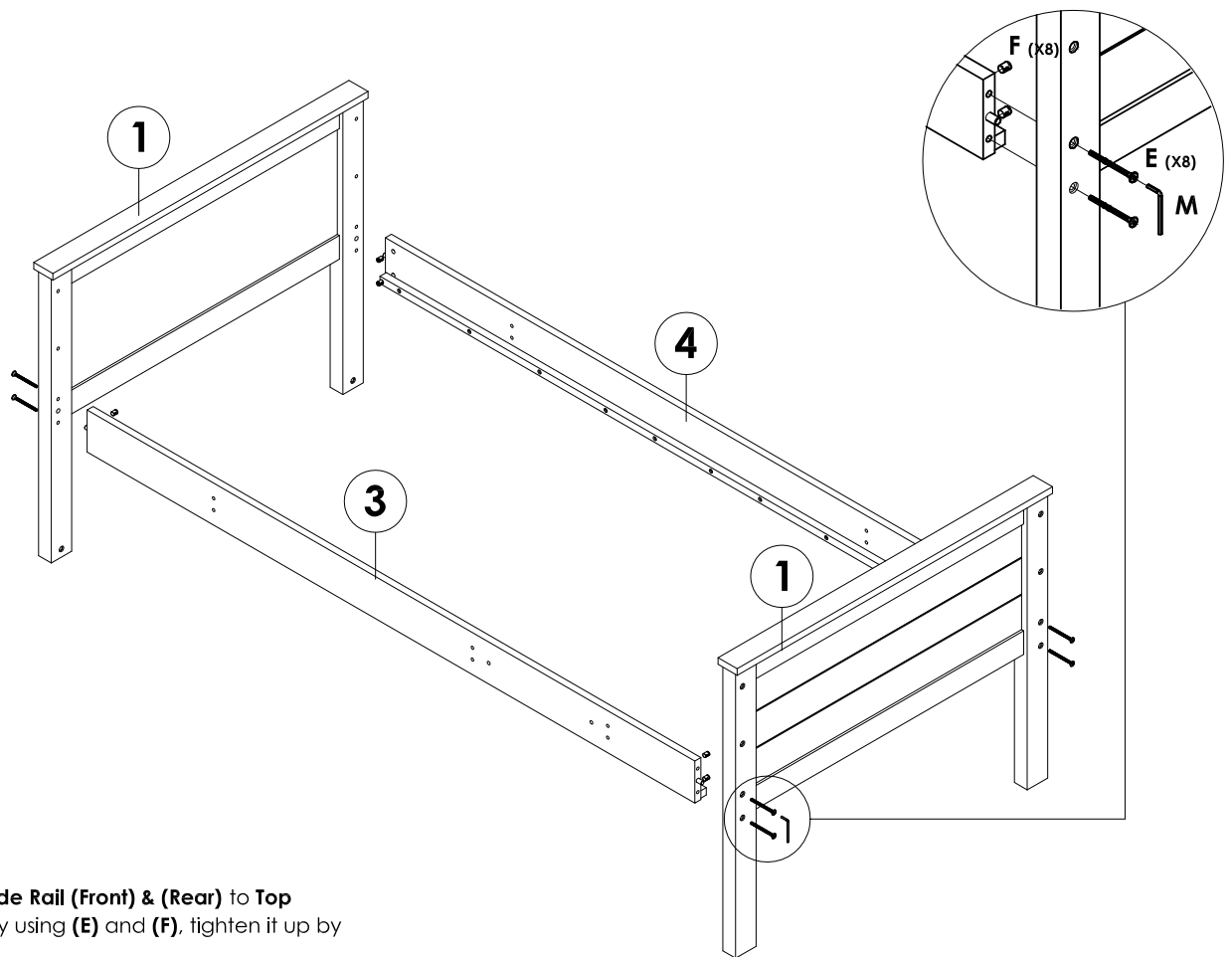
Screw **(L)** under **Support Leg**.

Lay **Center Support** onto **Support Leg** WITHOUT TIGHTENING IT UP. Position **Center Support** and **Support Leg** in the middle of **Bottom bed**.

Secure **Bottom Wooden Slat** onto **Center Support** and **Support Leg** by using **(E)**, tighten it up by using **(M)**

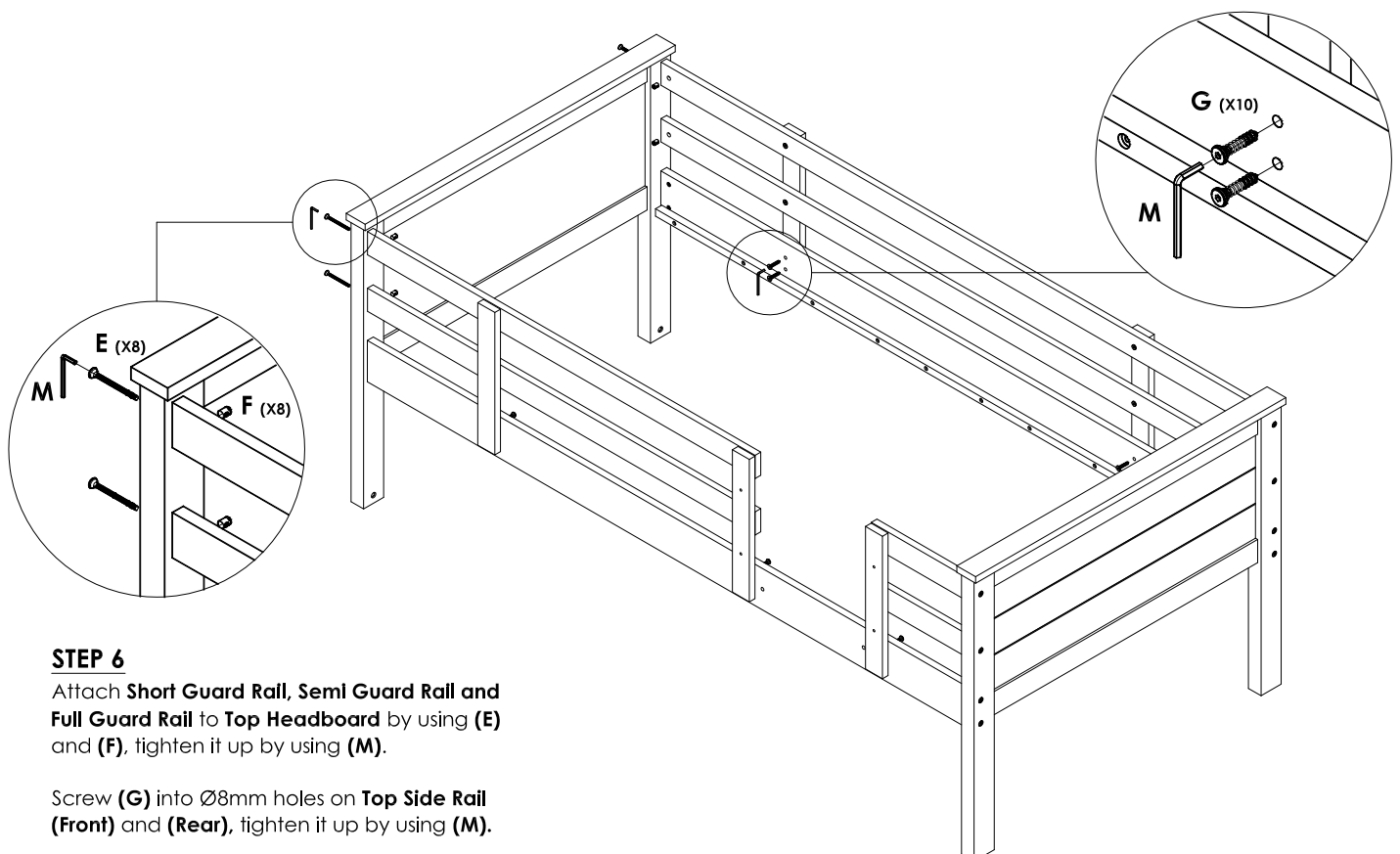
Secure all the **Bottom Wooden Slat** onto **Bottom Side Rail (Front) & (Rear)** by using **(J)**, tighten it up by using a Crosshead Screw Driver.

Align both **Top Side Rails (Front) & (Rear) before tightening the screws.*



STEP 5

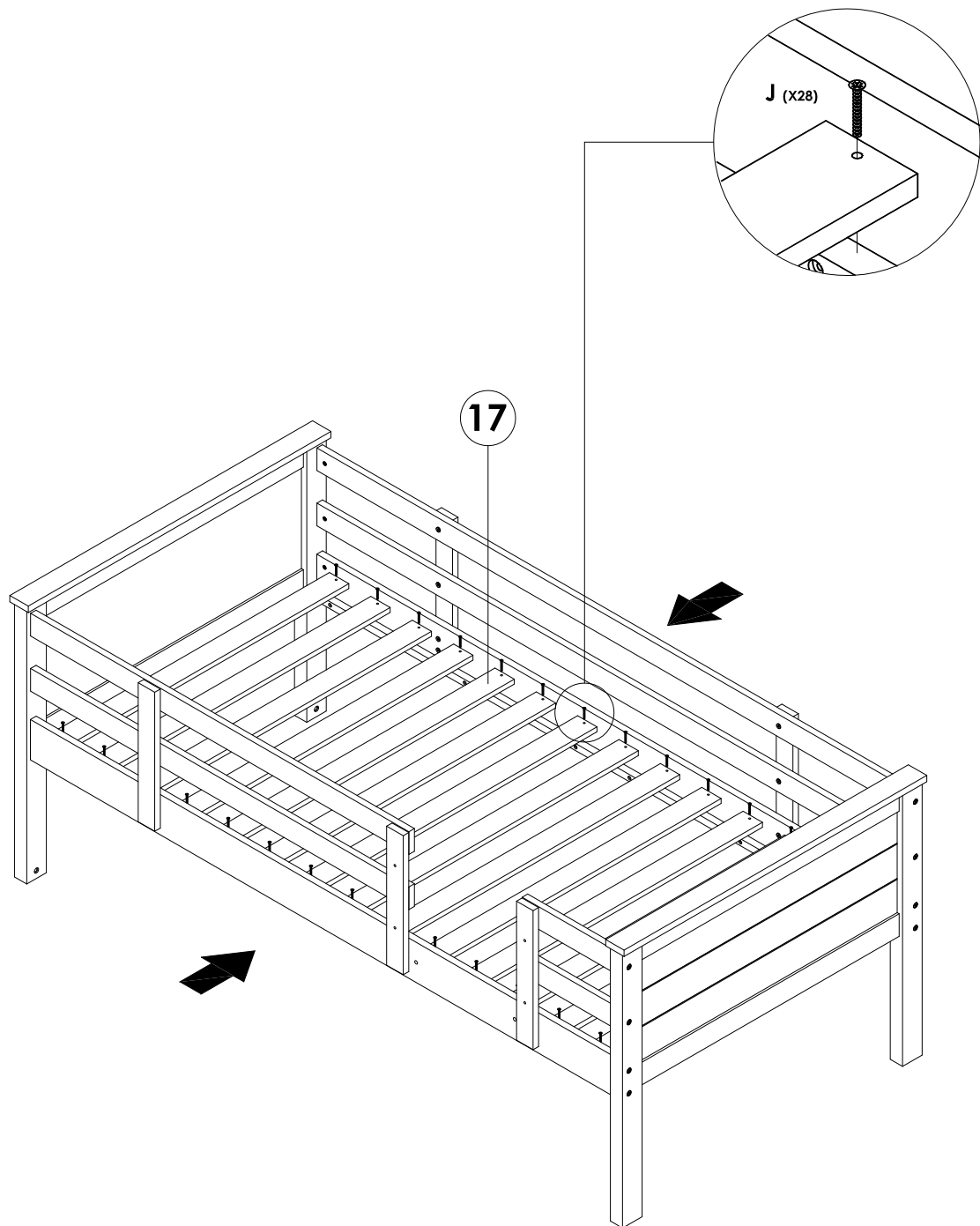
Attach **Top Side Rail (Front) & (Rear)** to **Top Headboard** by using **(E)** and **(F)**, tighten it up by using **(M)**.



STEP 6

Attach **Short Guard Rail, Semi Guard Rail and Full Guard Rail** to **Top Headboard** by using **(E)** and **(F)**, tighten it up by using **(M)**.

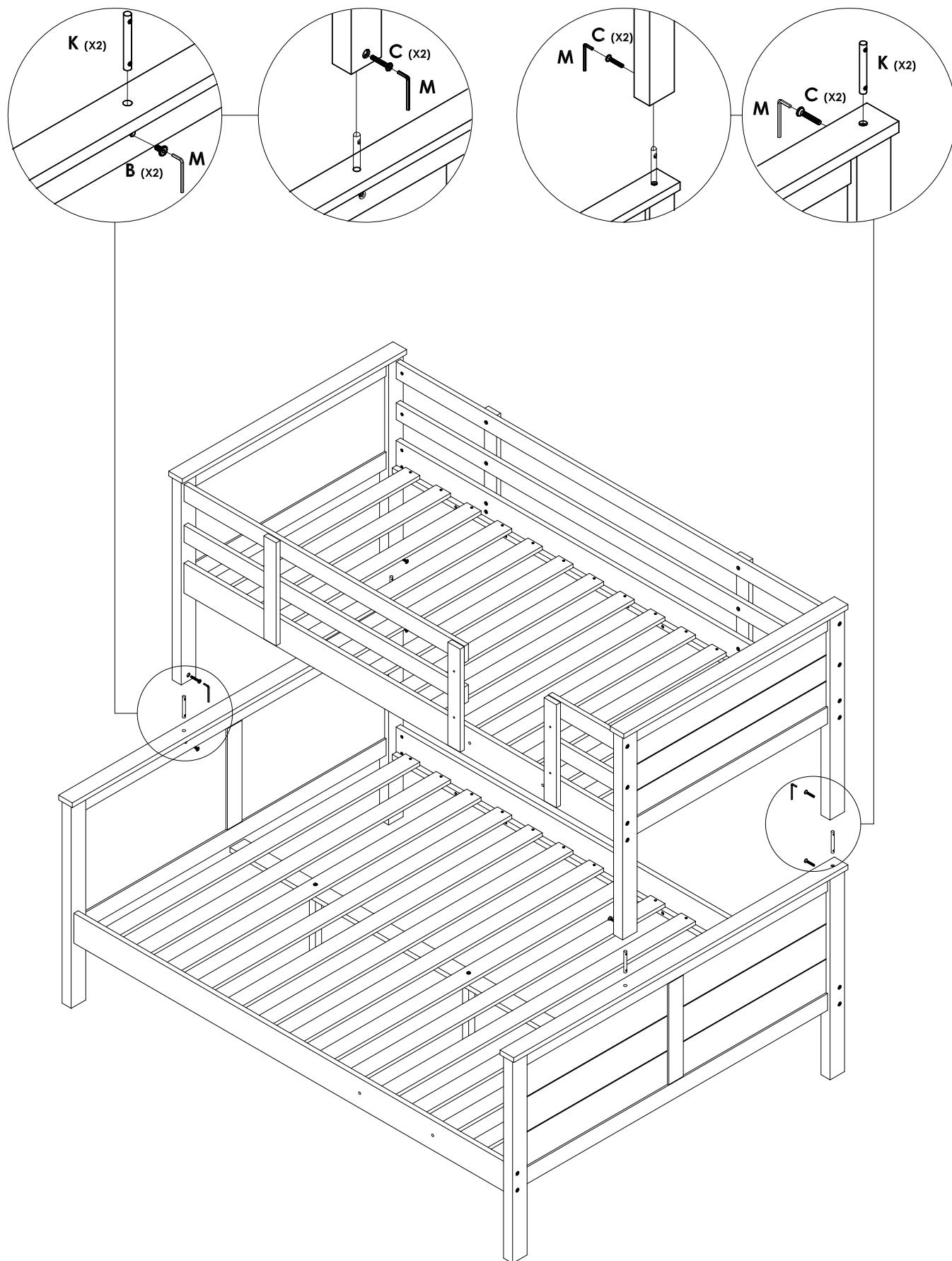
Screw **(G)** into $\varnothing 8\text{mm}$ holes on **Top Side Rail (Front)** and **(Rear)**, tighten it up by using **(M)**.



STEP 7

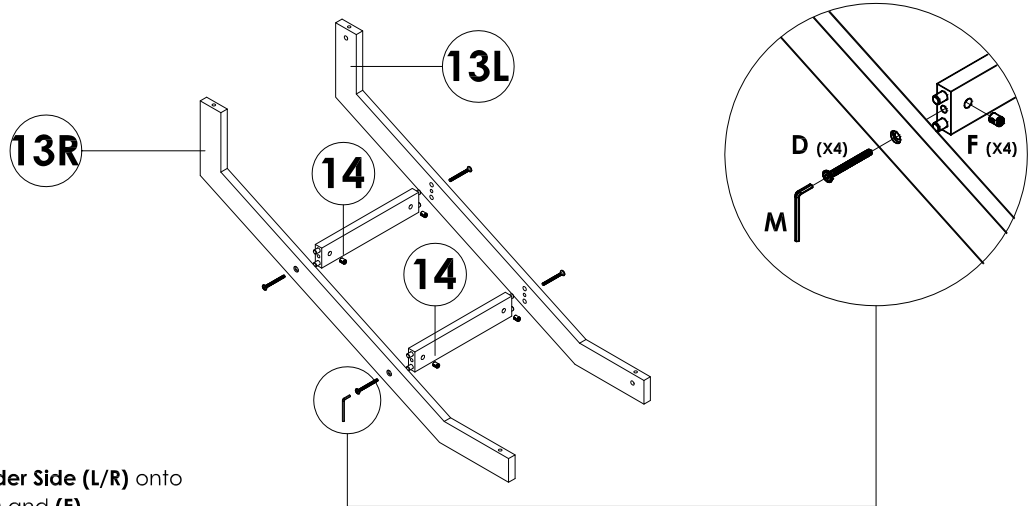
Secure all the **Top Wooden Slat** onto **Top Side Rail (Front) & (Rear)** by using **(J)**, tighten it up by using a Crosshead Screw Driver.

Align both **Top Side Rail (Front) & (Rear) before tightening the screws.*



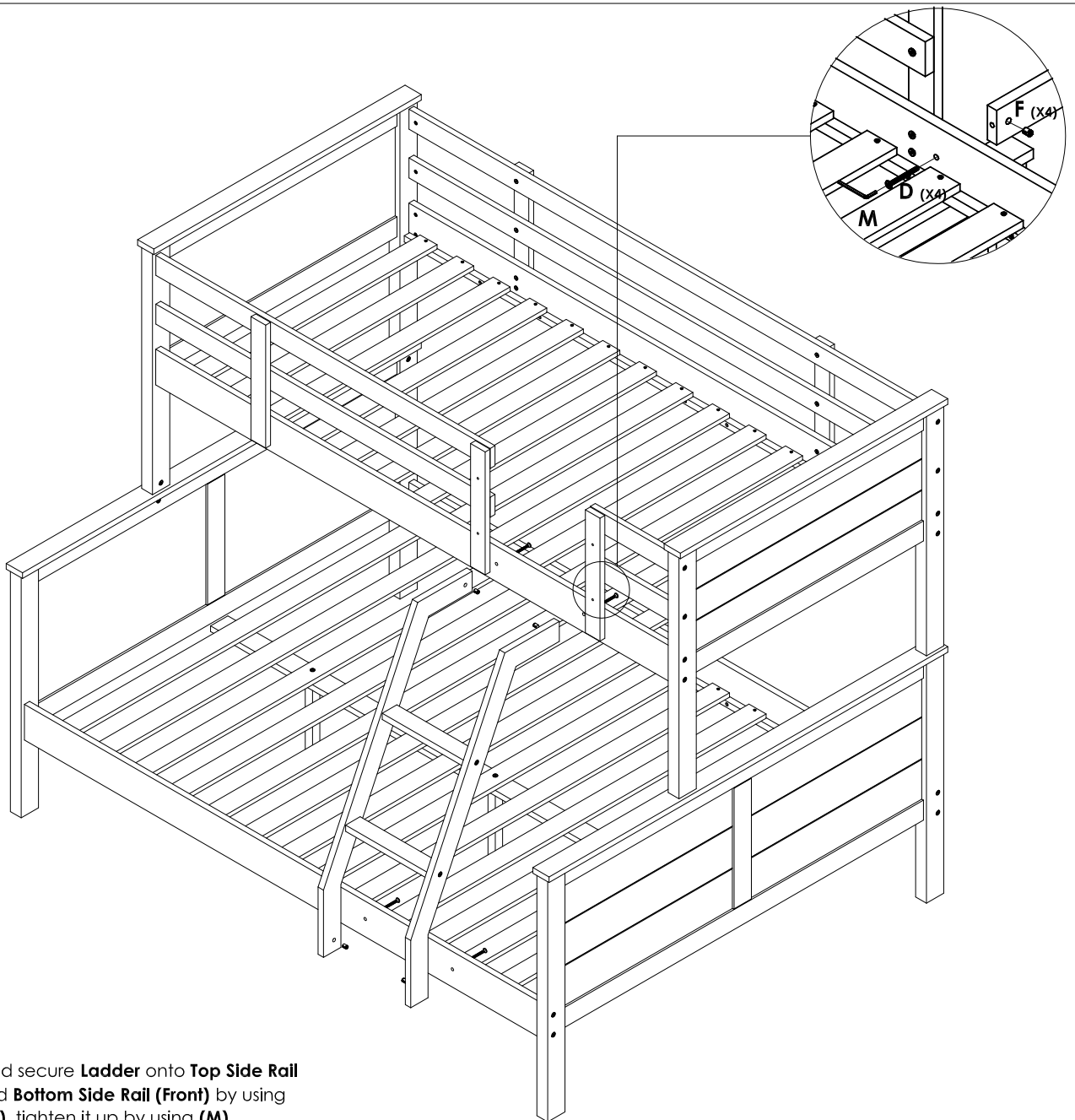
STEP 8

Connect both the **Top Bed** and **Bottom Bed** together by using **(B)**, **(C)** and **(K)** at front side, using **(C)** and **(K)** at rear side, accordingly based on diagram provided, tighten it up by using **(M)**.



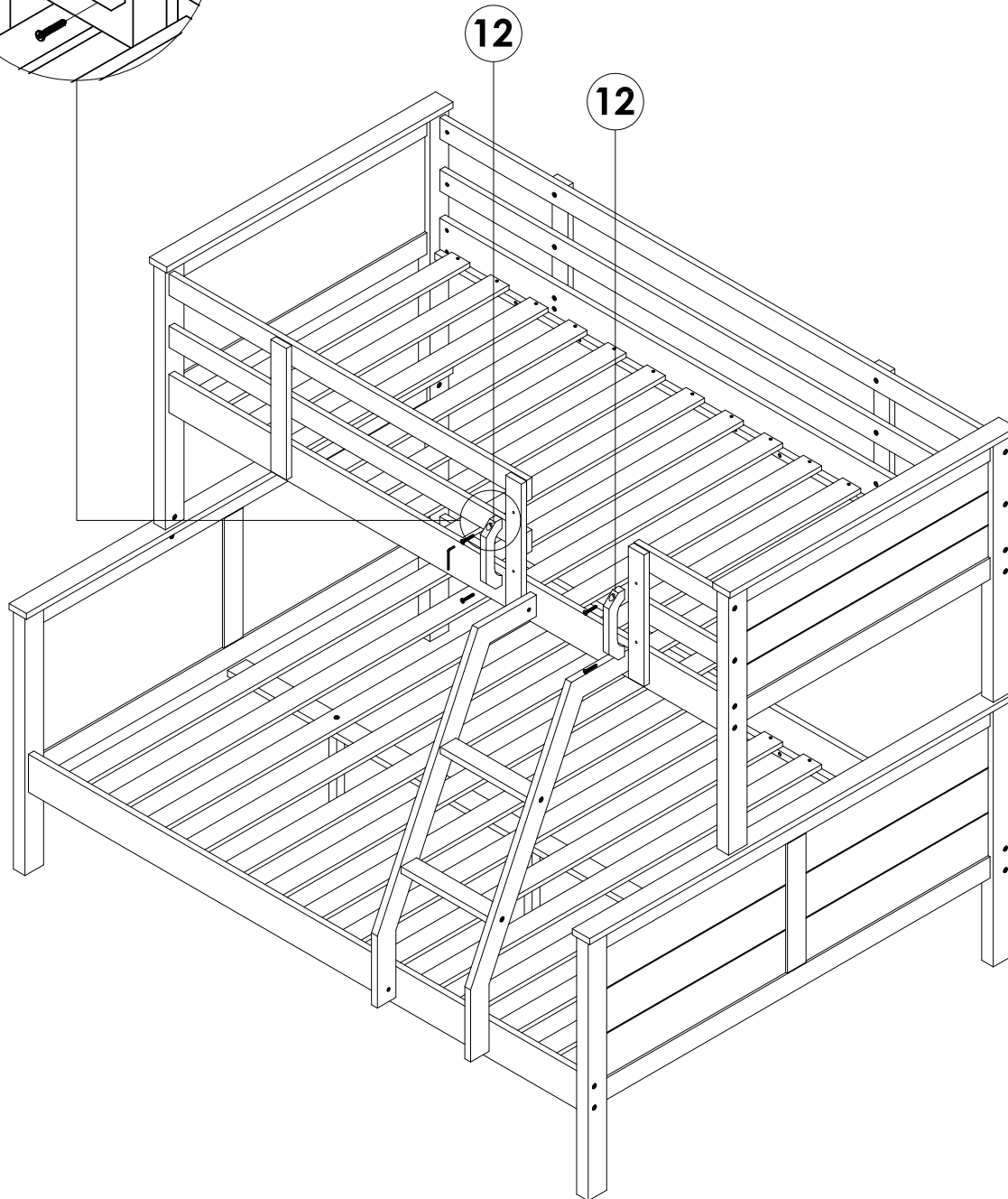
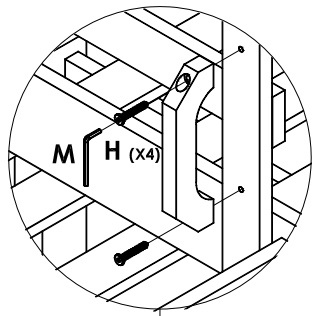
STEP 9

Attach and secure **Ladder Side (L/R)** onto **Ladder Slat** by using **(D)** and **(F)**, tighten it up by using **(M)**.



STEP 10

Attach and secure **Ladder** onto **Top Side Rail (Front)** and **Bottom Side Rail (Front)** by using **(D)** and **(F)**, tighten it up by using **(M)**.



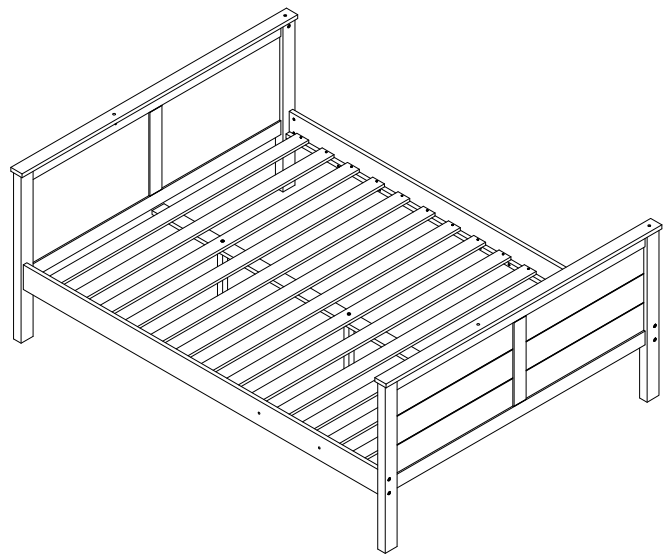
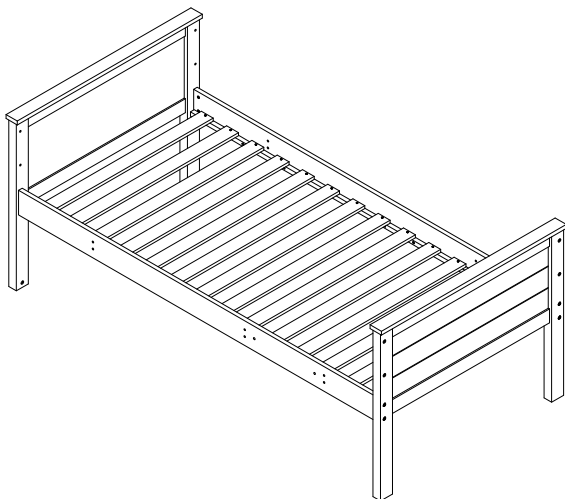
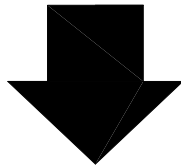
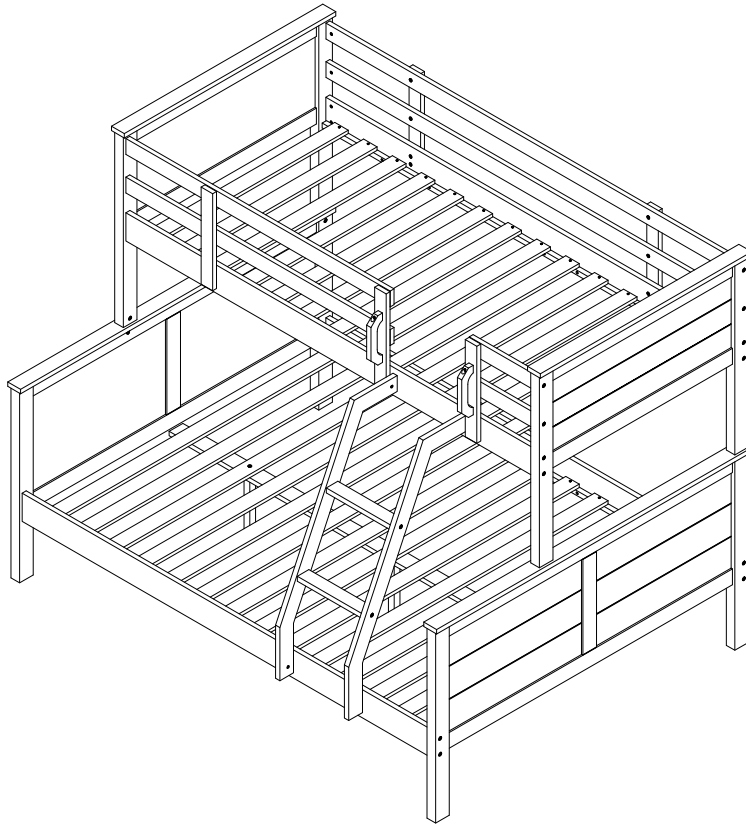
STEP 11

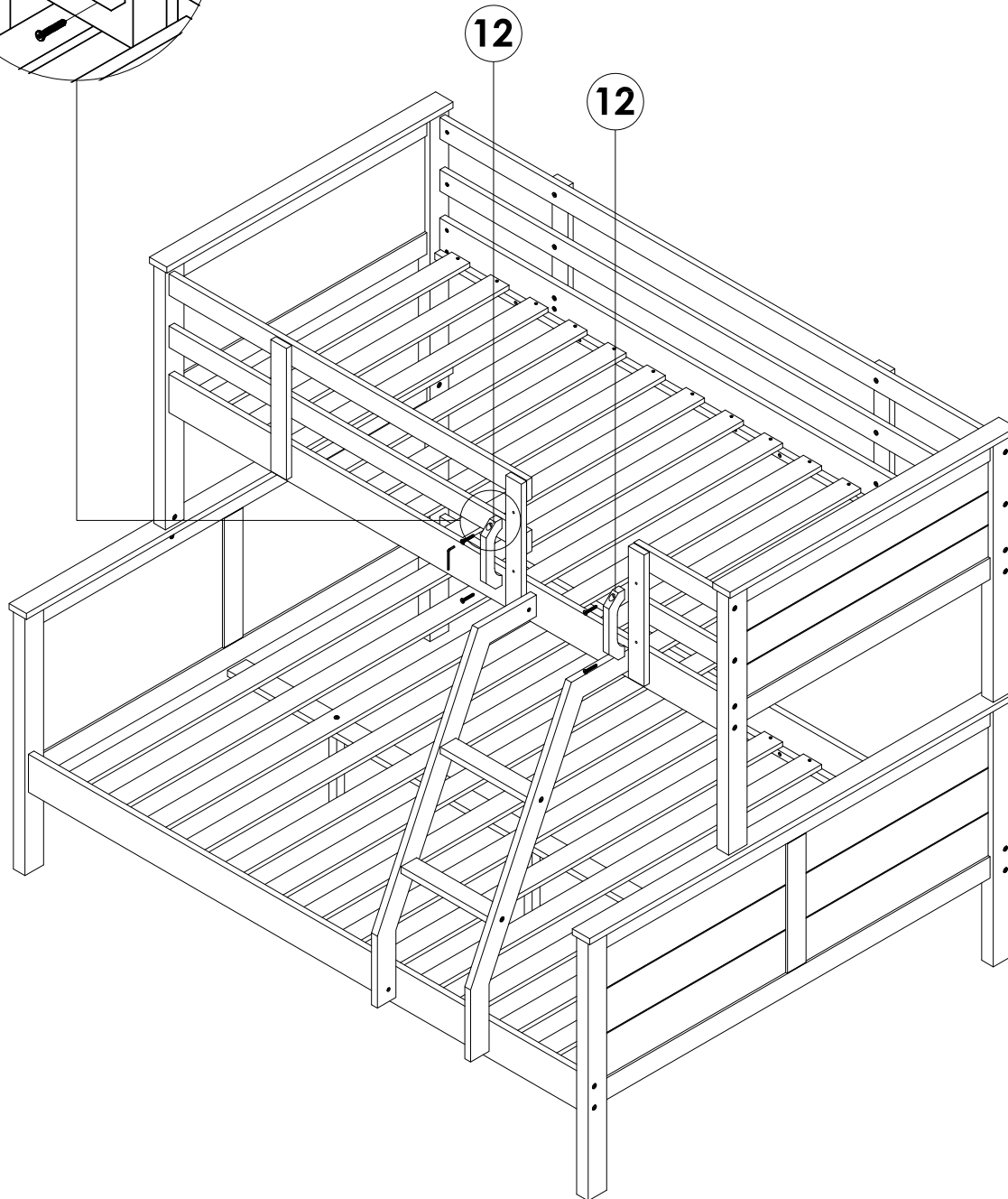
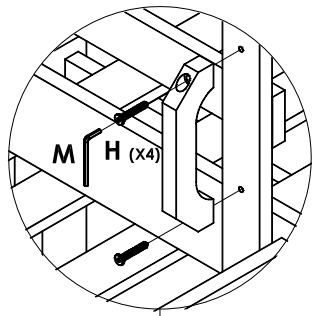
Attach and secure **Grip** onto **Guard Rail Support (Grip Side)** by using **(H)**, tighten it up by using **(M)**.

Convertible Feature

This Twin & Full bunk bed is able to convert to 2 single beds.
Follow the instructions given.

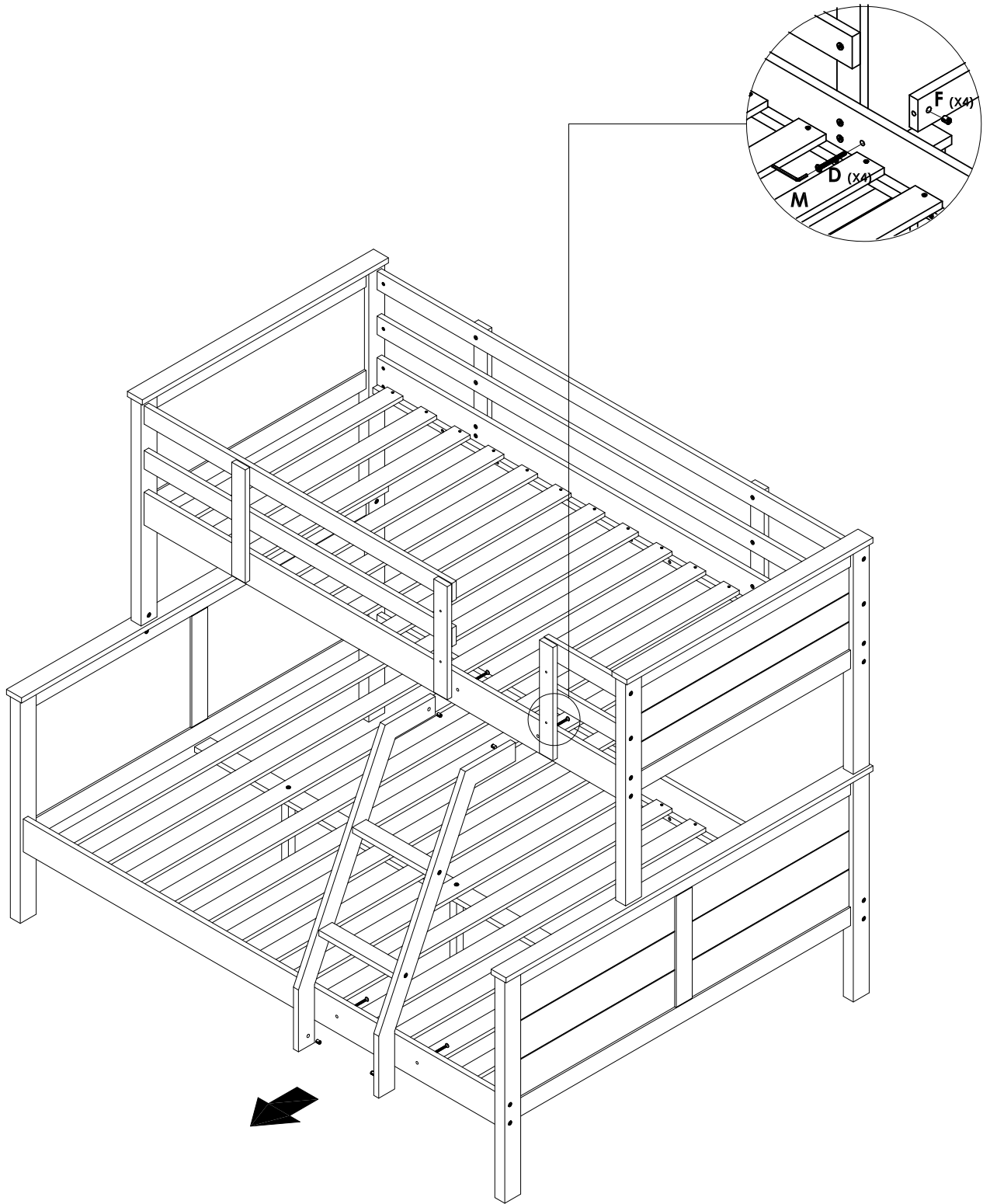
This assembly must be completed by at least 2 person.





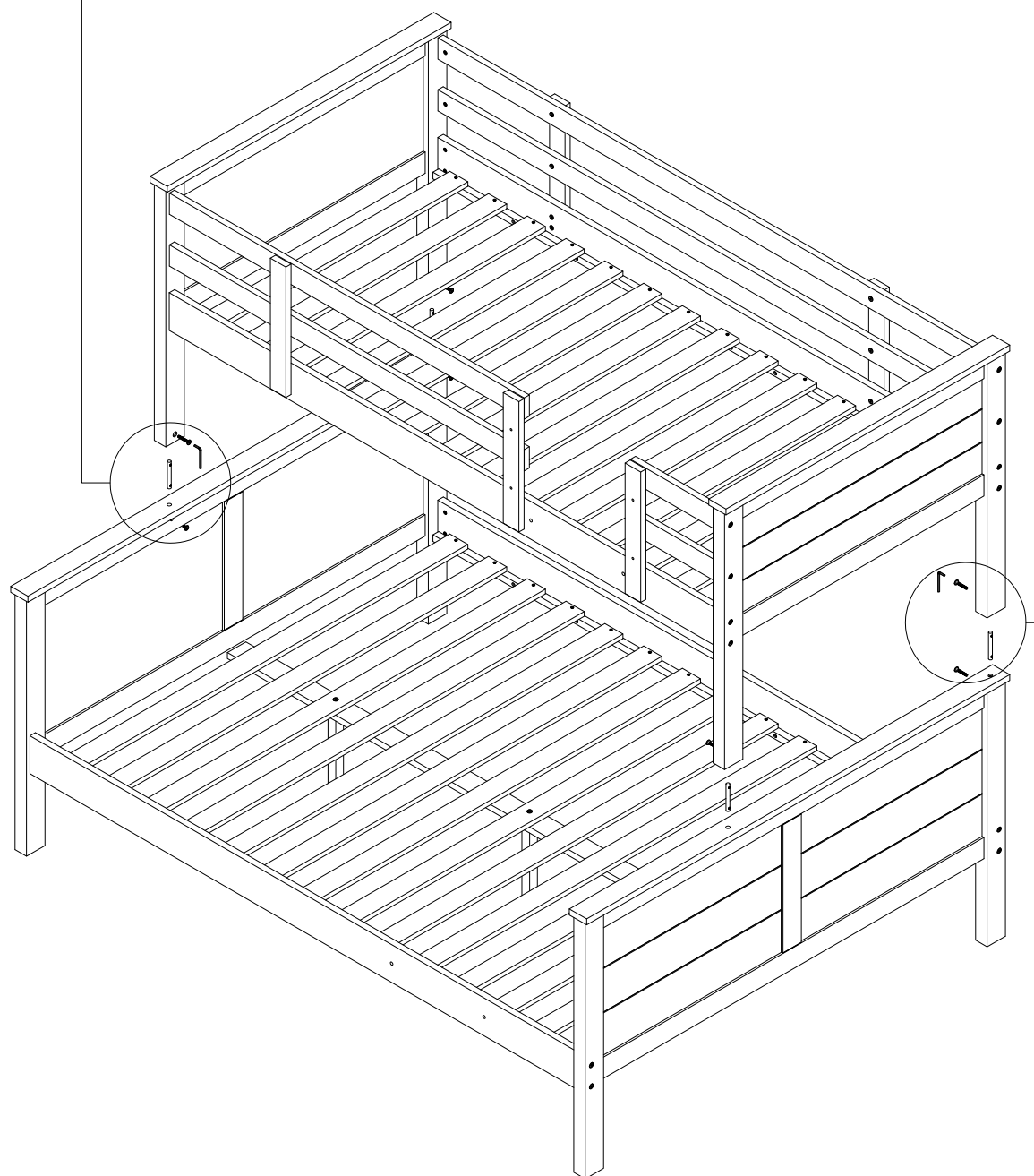
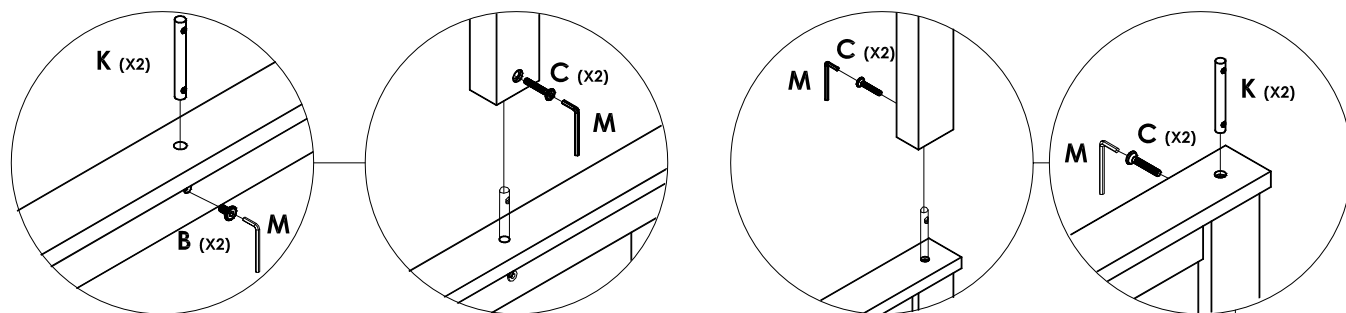
STEP 1 (Convertible)

Unscrew **(H)** and Detach Grip by using **(M)**.



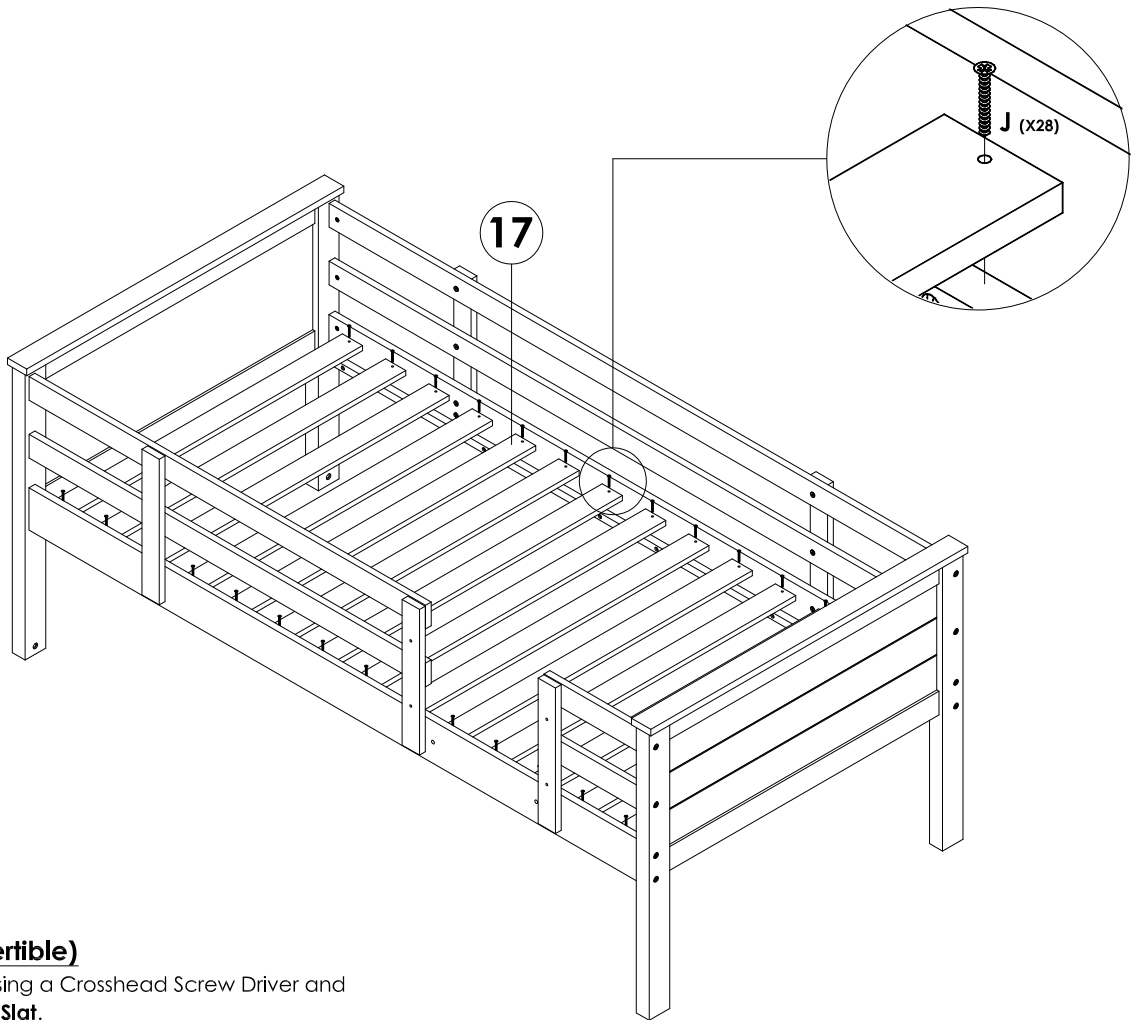
STEP 2 (Convertible)

Unscrew **(D)** and **(F)** and detach Ladder by using **(M)**.



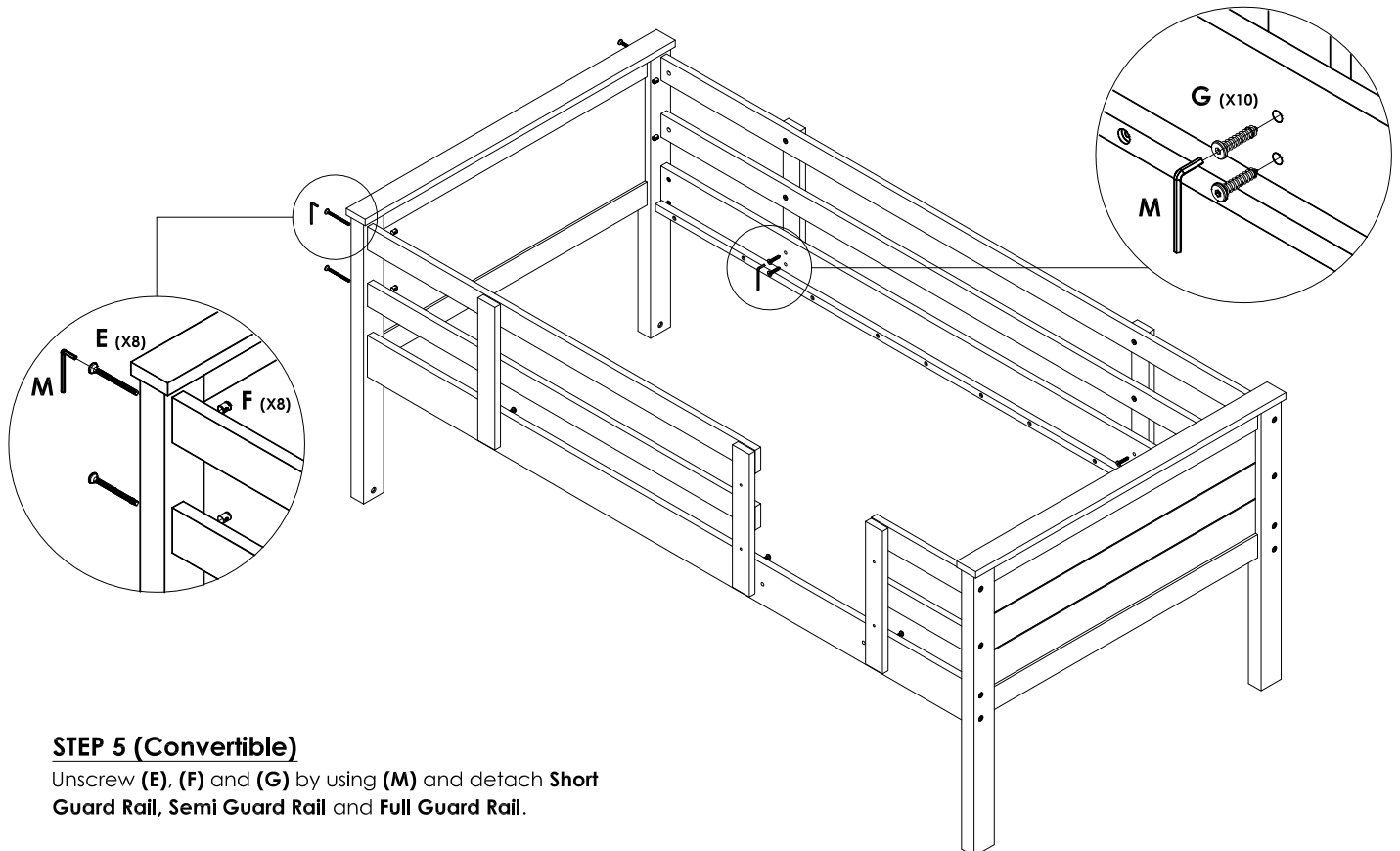
STEP 3 (Convertible)

Unscrew **(B)** and **(C)** by using **(M)** and unattach **(K)** from assembly as well. Follow that up by separating **Top Bed** from **Bottom Bed**.



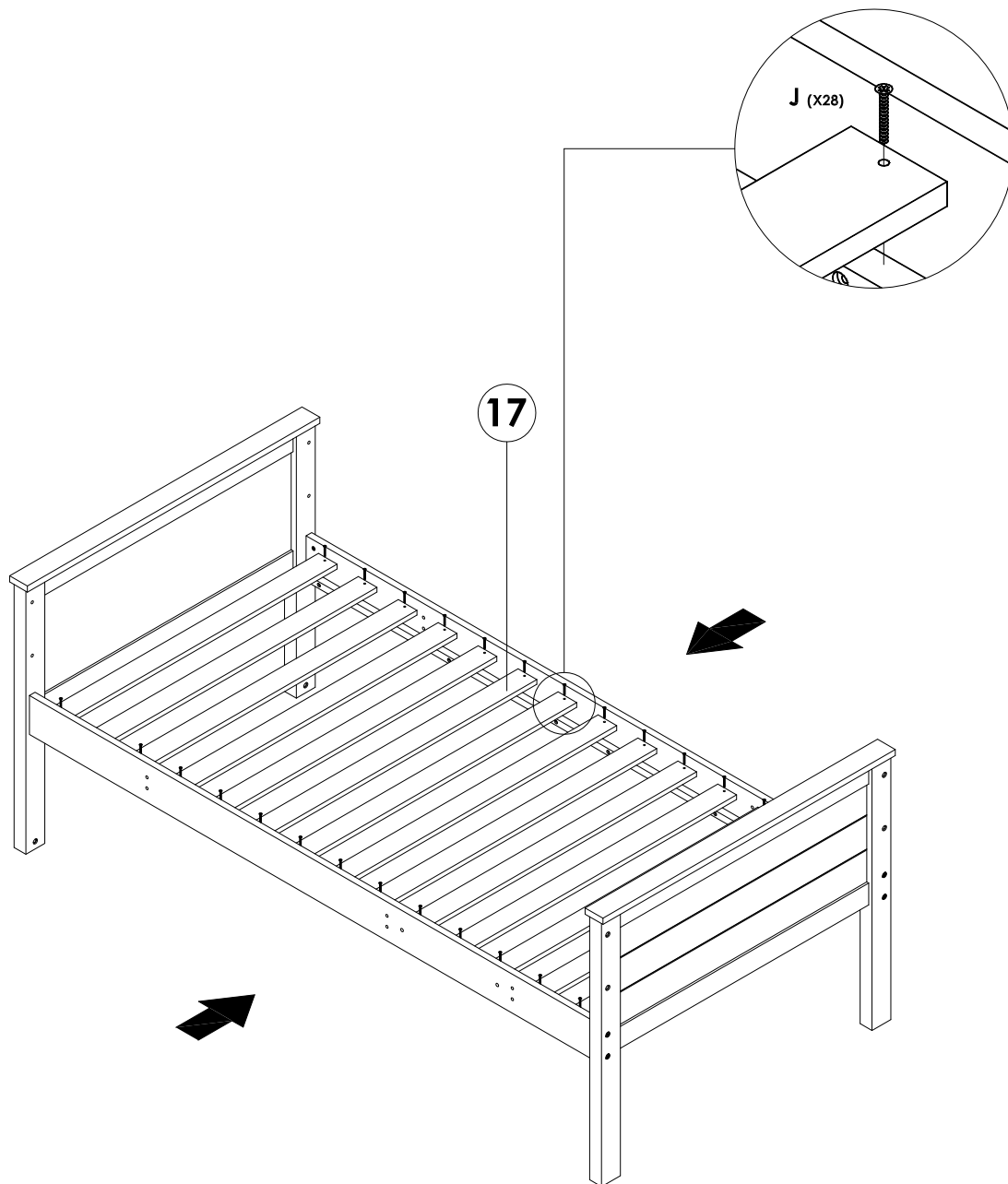
STEP 4 (Convertible)

Unscrew **(J)** by using a Crosshead Screw Driver and detach **Wooden Slat**.



STEP 5 (Convertible)

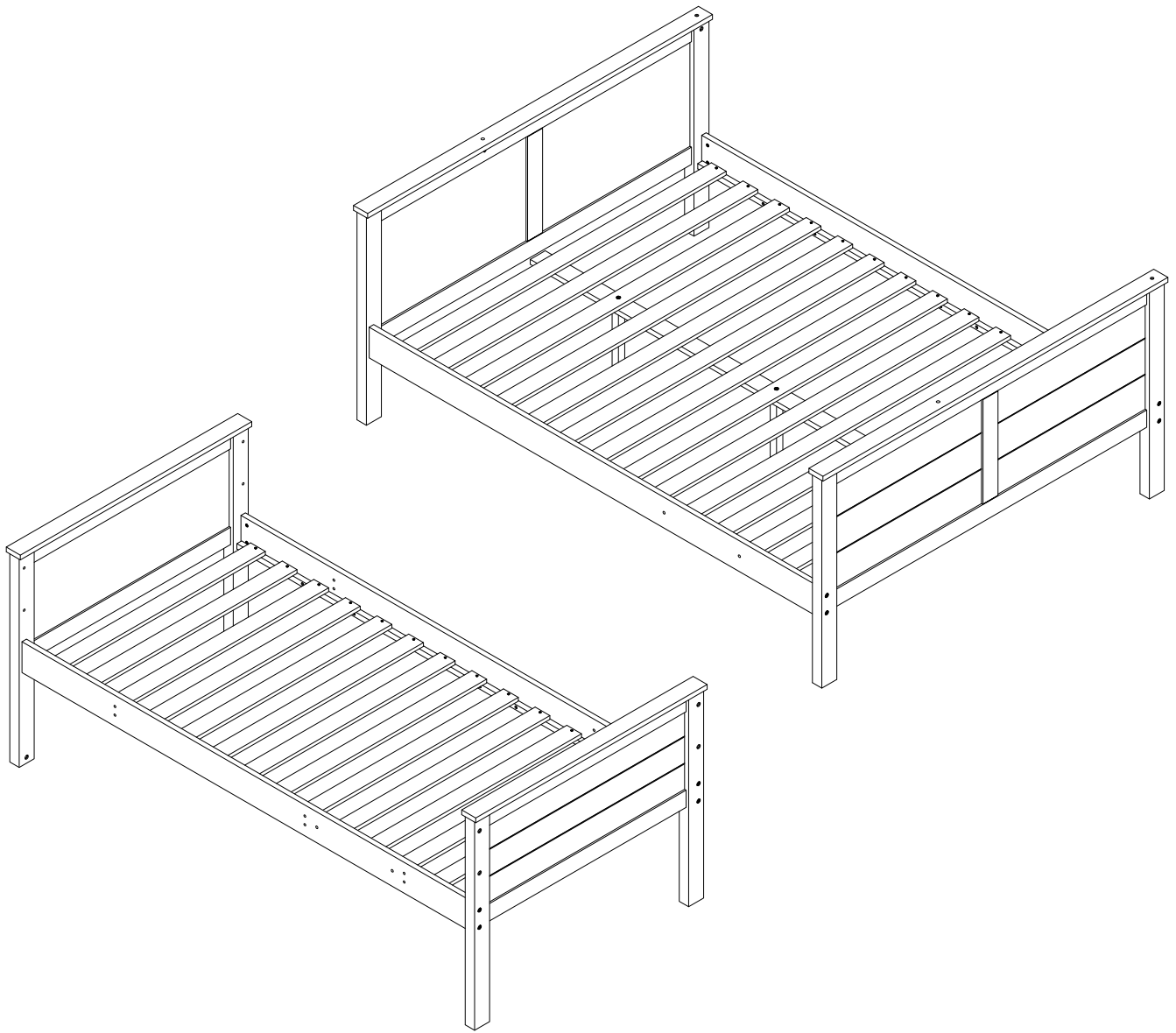
Unscrew **(E)**, **(F)** and **(G)** by using **(M)** and detach **Short Guard Rail**, **Semi Guard Rail** and **Full Guard Rail**.



STEP 6 (Convertible)

Secure all the **Top Wooden Slat** onto **Top Side Rail (Front) & (Rear)** by using **(J)**, tighten it up by using a Crosshead Screw Driver.

Align both **Top Side Rail (Front) & (Rear) before tightening the screws.*



The convertible feature assembly of the single over double bunk bed has been successfully completed.