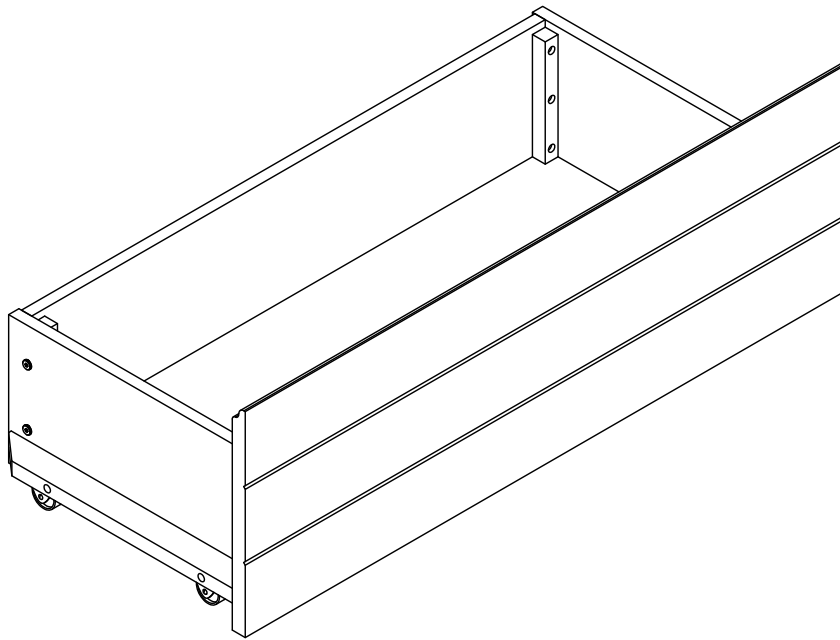
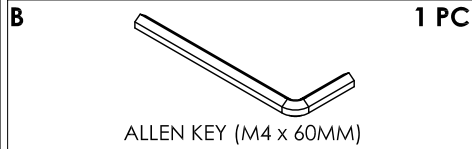


ASSEMBLY INSTRUCTION

MODEL : WS010WHT EMERSON UNDERBED DRAWER WHITE (W935 x D420 x H320)MM



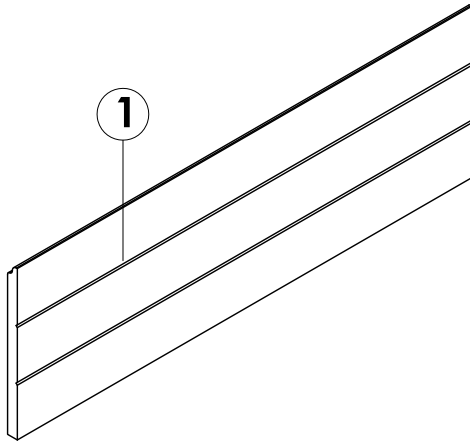
HARDWARE LIST (VP 268)



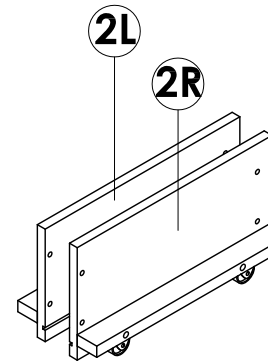
Do not recommend the use of power drills/drivers for inserting bolts/screws as this could damage the unit.

Tools Required :
Crosshead Screw Driver

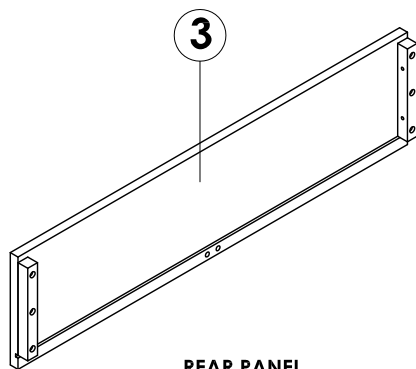
PARTS LIST



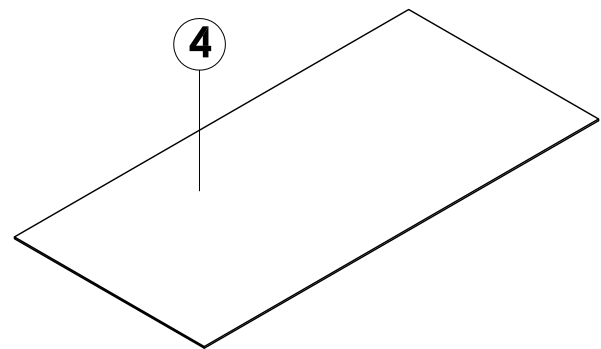
DRAWER FACE
(1 PC / SET)
CARTON 1 OF 1



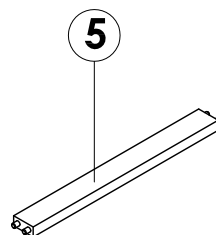
SIDE PANEL (L/R)
(2 PCS / SET)
CARTON 1 OF 1



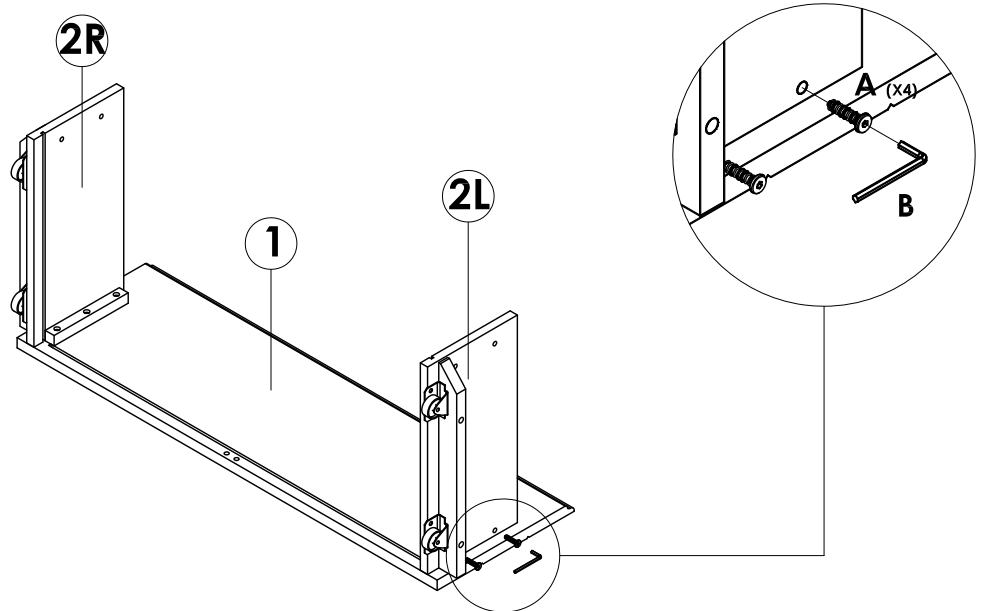
REAR PANEL
(1 PC / SET)
CARTON 1 OF 1



DRAWER BASE
(1 PC / SET)
CARTON 1 OF 1

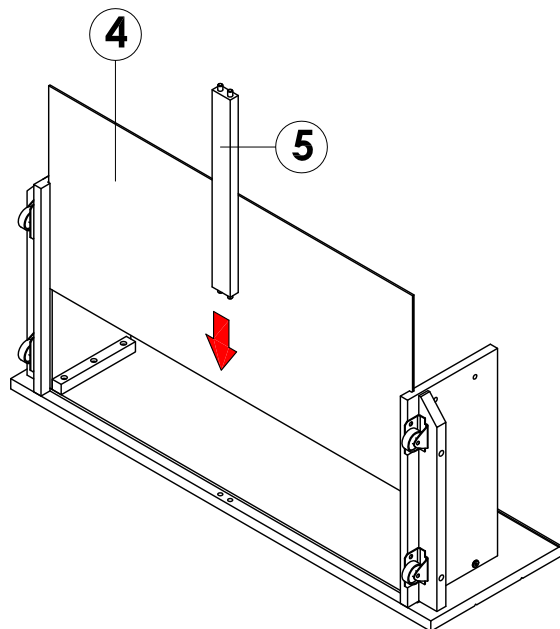


SUPPORTER RAILS
(1 PC / SET)
CARTON 1 OF 1



STEP 1

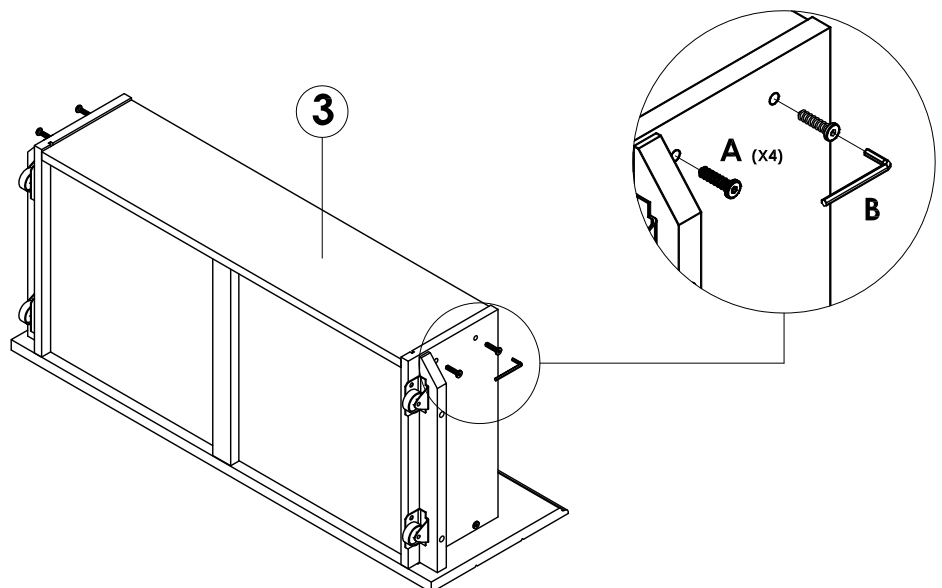
Attach and secure **Side Panel (L&R)** onto **Drawer Face** by using **(A)**, tighten it up by using **(B)**.



STEP 2

Slot the **Drawer Base** into the groove.

Attach the **Supporter Rail** with the protruding dowels into $\varnothing 8\text{MM}$ holes.



STEP 3

Attach and secure **Rear Panel** onto previous assembly by using **(A)**, tighten it up by using **(B)**.

Recheck if all fittings have been fully tightened up and go on to complete the assembly.