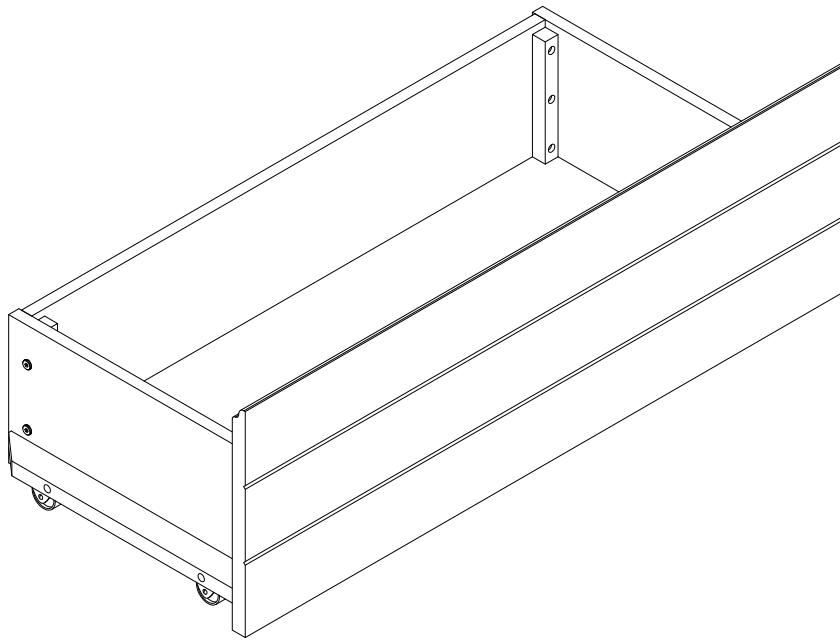
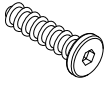
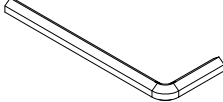


# ASSEMBLY INSTRUCTION

MODEL : WS010WHT EMERSON UNDERBED DRAWER WHITE (W935 x D420 x H320)MM



## HARDWARE LIST

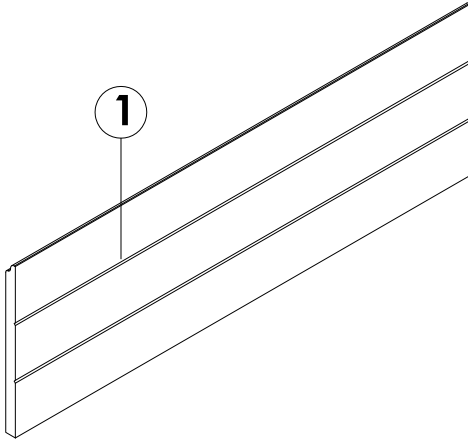
<b>A</b>  JCBC W SCREW (M7 x 32MM) <b>8 PCS</b>	<b>B</b>  ALLEN KEY (M4 x 60MM) <b>1 PC</b>
---	---



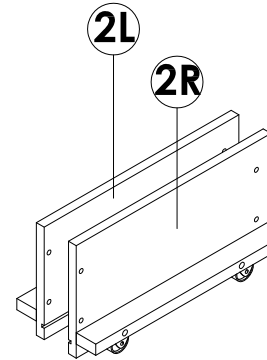
Do not recommend the use of power drills/drivers for inserting bolts/screws as this could damage the unit.

**Tools Required :**  
Crosshead Screw Driver

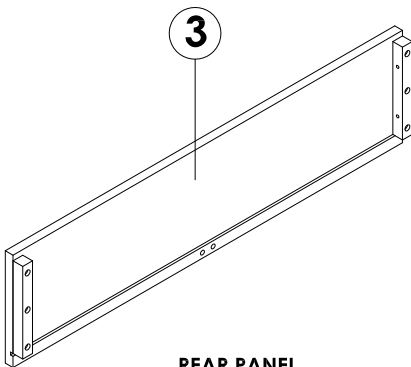
## PARTS LIST



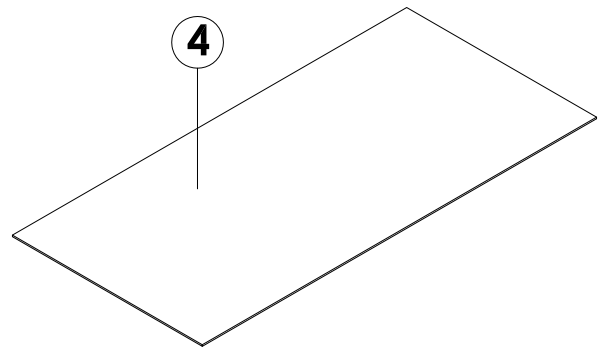
**DRAWER FACE**  
( 1 PC / SET )  
CARTON 1 OF 1



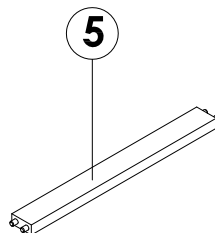
**SIDE PANEL (L/R)**  
( 2 PCS / SET )  
CARTON 1 OF 1



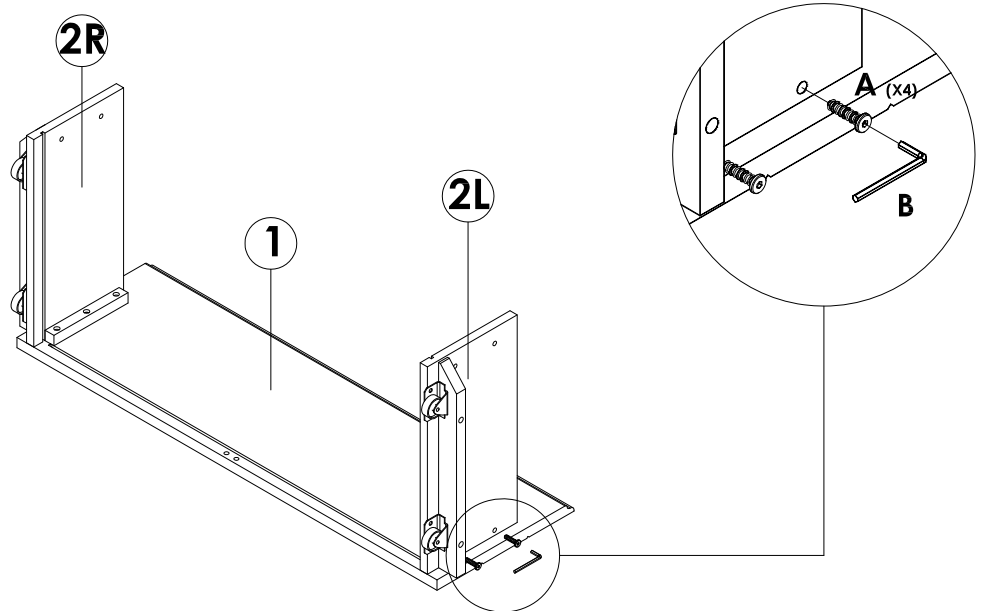
**REAR PANEL**  
( 1 PC / SET )  
CARTON 1 OF 1



**DRAWER BASE**  
( 1 PC / SET )  
CARTON 1 OF 1

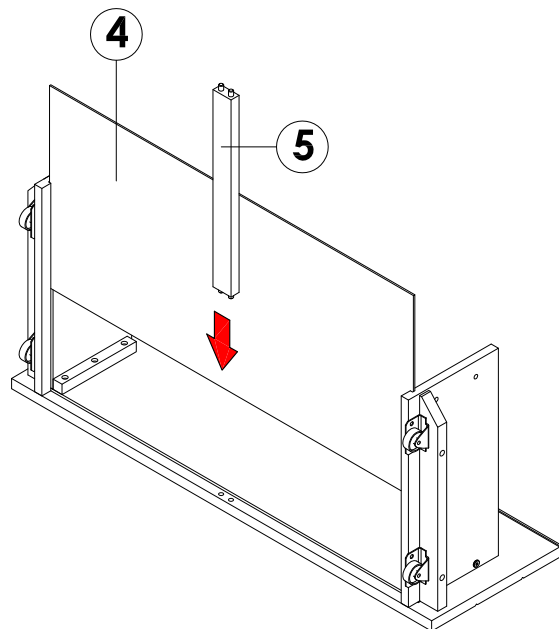


**SUPPORTER RAILS**  
( 1 PC / SET )  
CARTON 1 OF 1



### STEP 1

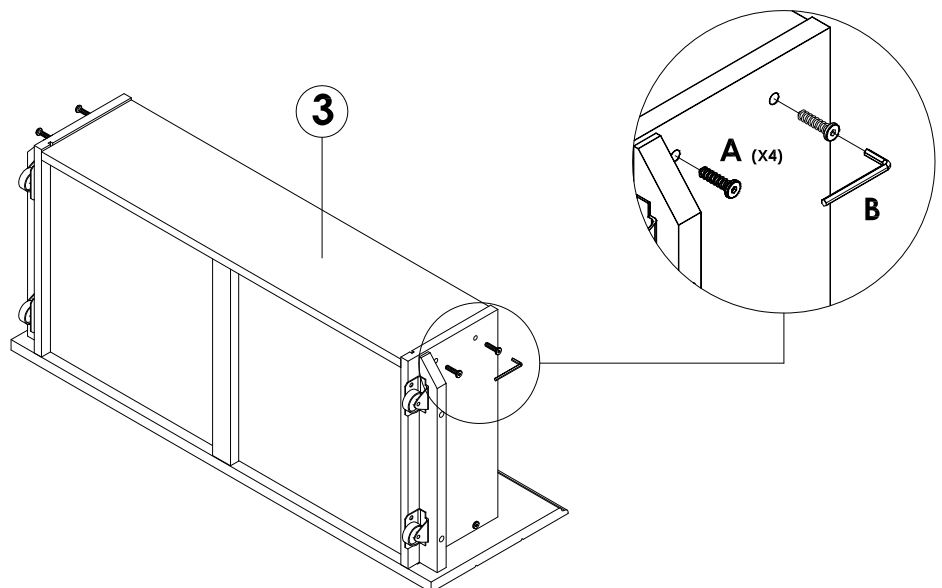
Attach and secure **Side Panel (L&R)** onto **Drawer Face** by using **(A)**, tighten it up by using **(B)**.



### STEP 2

Slot the **Drawer Base** into the groove.

Attach the **Supporter Rail** with the protruding dowels into  $\varnothing 8$ MM holes.



### STEP 3

Attach and secure **Rear Panel** onto previous assembly by using **(A)**, tighten it up by using **(B)**.

**Recheck if all fittings have been fully tightened up and go on to complete the assembly.**