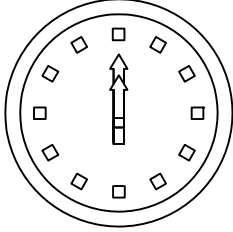
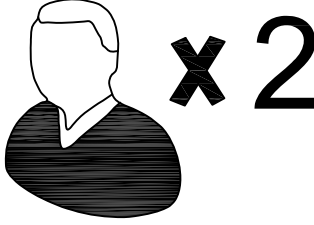



PRE-ASSEMBLY PREPARATION

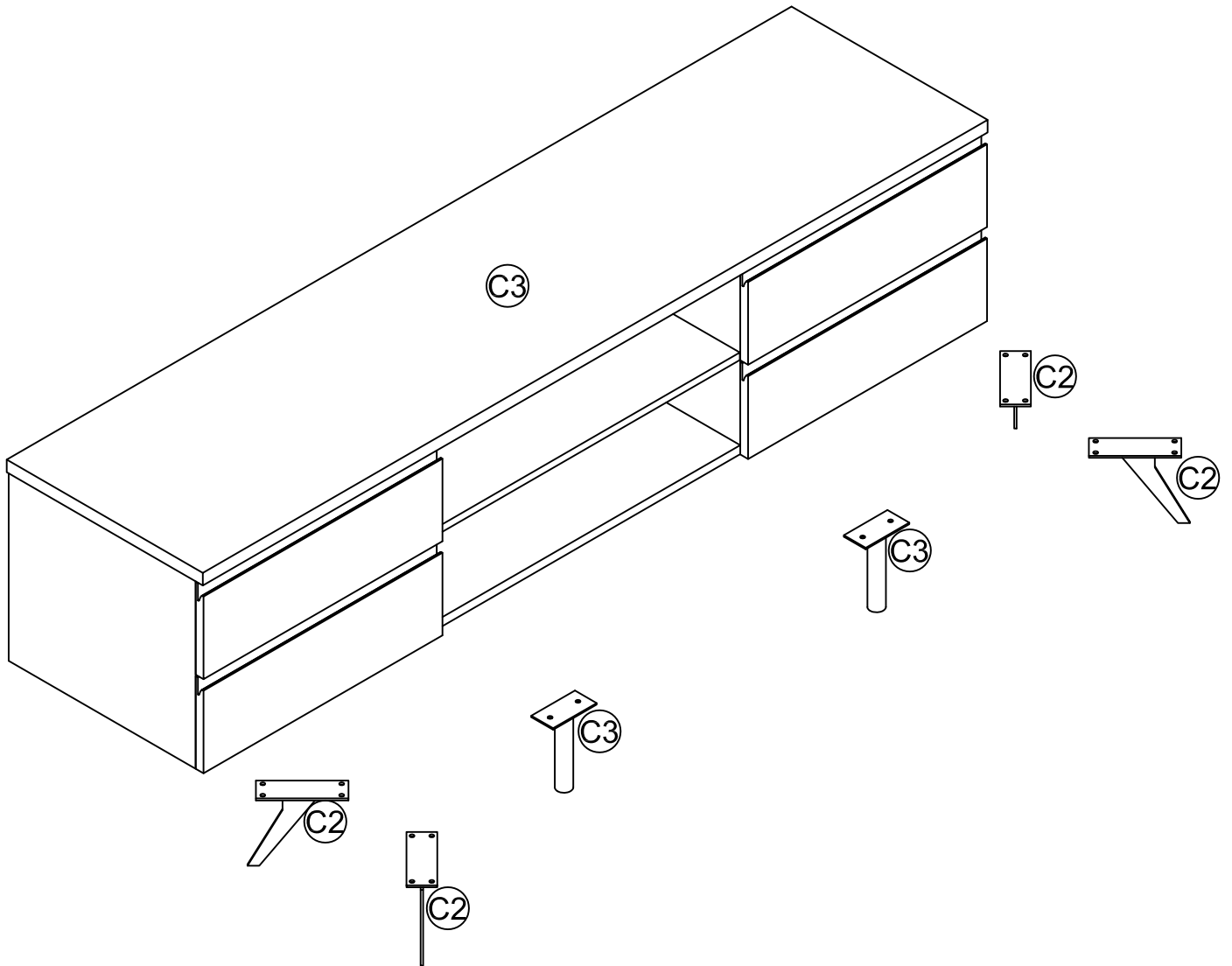
Before you start:



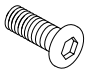


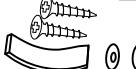
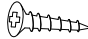
1. Choose a clean, level, spacious assembly area. Avoid hard surfaces that may damage the product
2. Take care when lifting. Product should be assembled as near as possible to the point of use
3. Ensure that you have all required contents for complete assembly.
4. Always read the assembly instructions carefully before beginning assembly.
5. Keep all hardware parts and packaging out of reach of small children.
6. Do not over tighten the screws and bolts as this may damage the threads

 ALLOW 60 MINUTES	 2 PEOPLE REQUIRED
 ⊕ ADDITIONAL TOOLS REQUIRED	

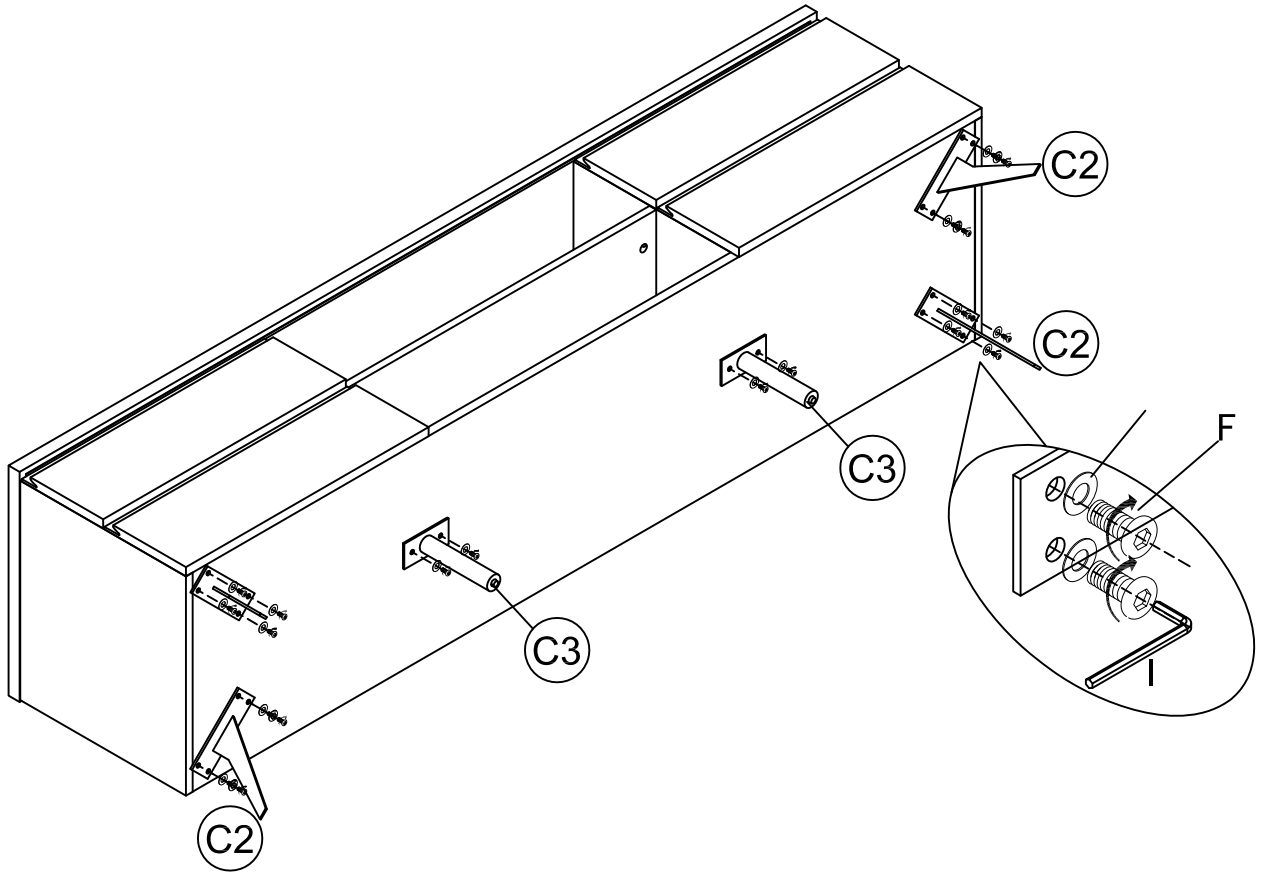
 TIPPING WARNING 	
	<p>Serious or fatal injuries may occur from furniture toppling over. To help avoid this please follow the below recommendations:</p> <ul style="list-style-type: none">• Install the provided "Tipping Kit" as per the instructions• Never allow children to climb on or hang off of any part of this product• Unless specifically designed to accommodate, do not set TVs or other heavy objects on top of this product <p>If this product has drawers:</p> <ul style="list-style-type: none">• Place the heaviest items in lowest drawers• Do not open more than 1 drawer at a time as this may cause the product to become unbalanced• Do not tamper with or remove any drawer interlocking/running system <p>Note: The use of the provided "Tipping Kit" may reduce but not necessarily eliminate the risk of furniture toppling over. Please use this product with caution.</p> <p><i>This is a permanent label. Do not attempt to remove!</i></p>

PARTS LIST

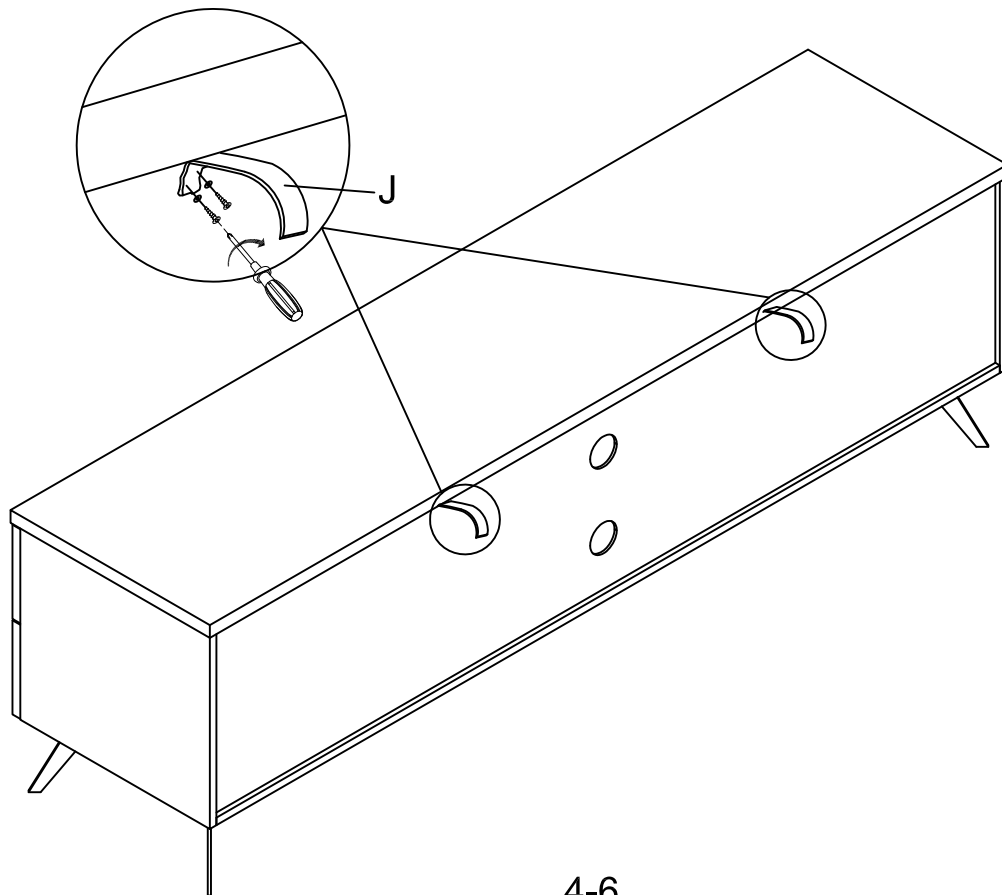


<p>A.Metal Legs <input type="checkbox"/></p>  <p>4PCS</p>	<p>B.Middle Metal Legs <input type="checkbox"/></p>  <p>2PCS</p>	<p>C.Bolt M6x15 <input type="checkbox"/></p>  <p>20PCS</p>	<p>D.Washer Ø13 <input type="checkbox"/></p>  <p>20PCS</p>	<p>E.Hex key M4 <input type="checkbox"/></p>  <p>1PCE</p>	<p>F.Belt <input type="checkbox"/></p>  <p>2PCS</p>	<p>G.Screw Ø3.5X16 <input type="checkbox"/></p>  <p>4PCS</p>
--	---	---	---	---	--	---

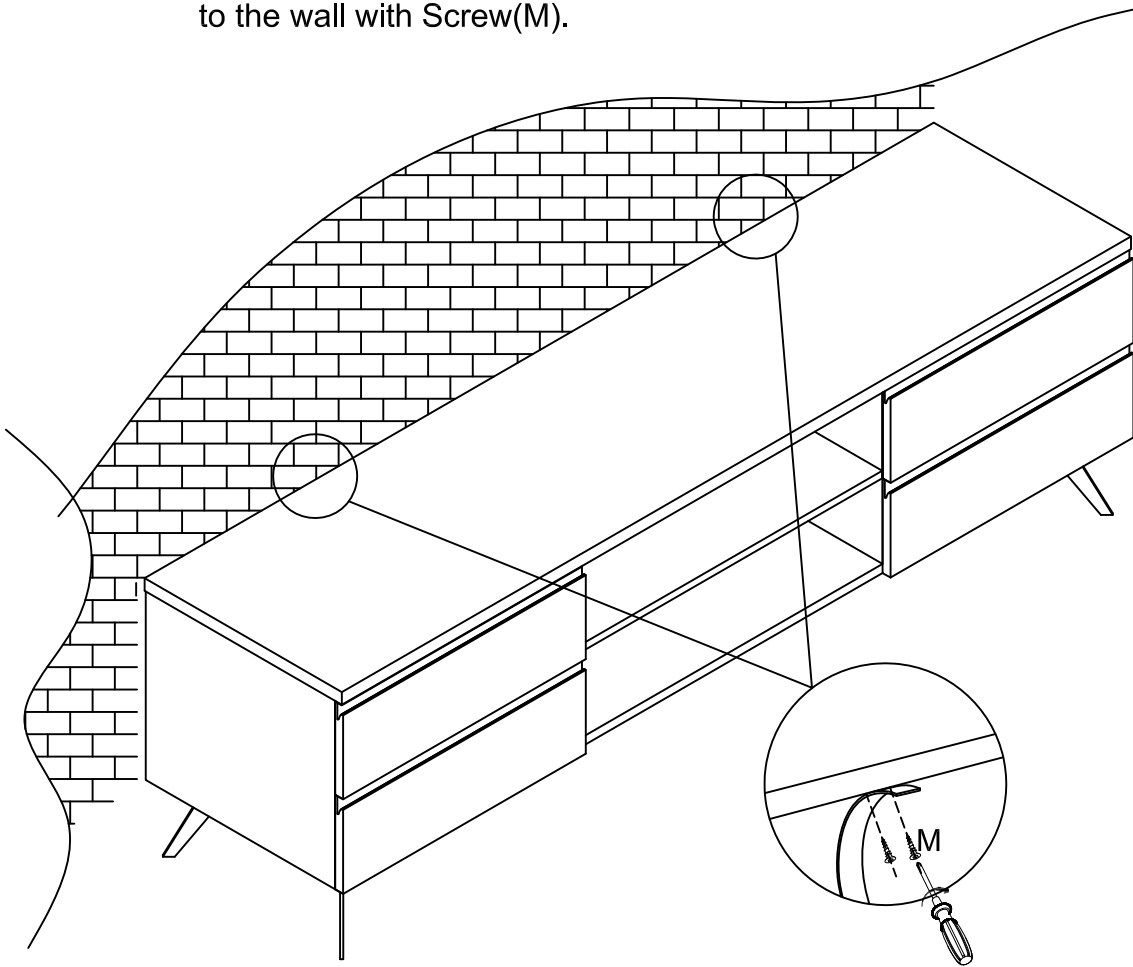
STEP 1: Put Bolt(F)through Washer(H),then use hex key(I)to tighten the legs(C14,C15)to the Bottom Panel(C4).



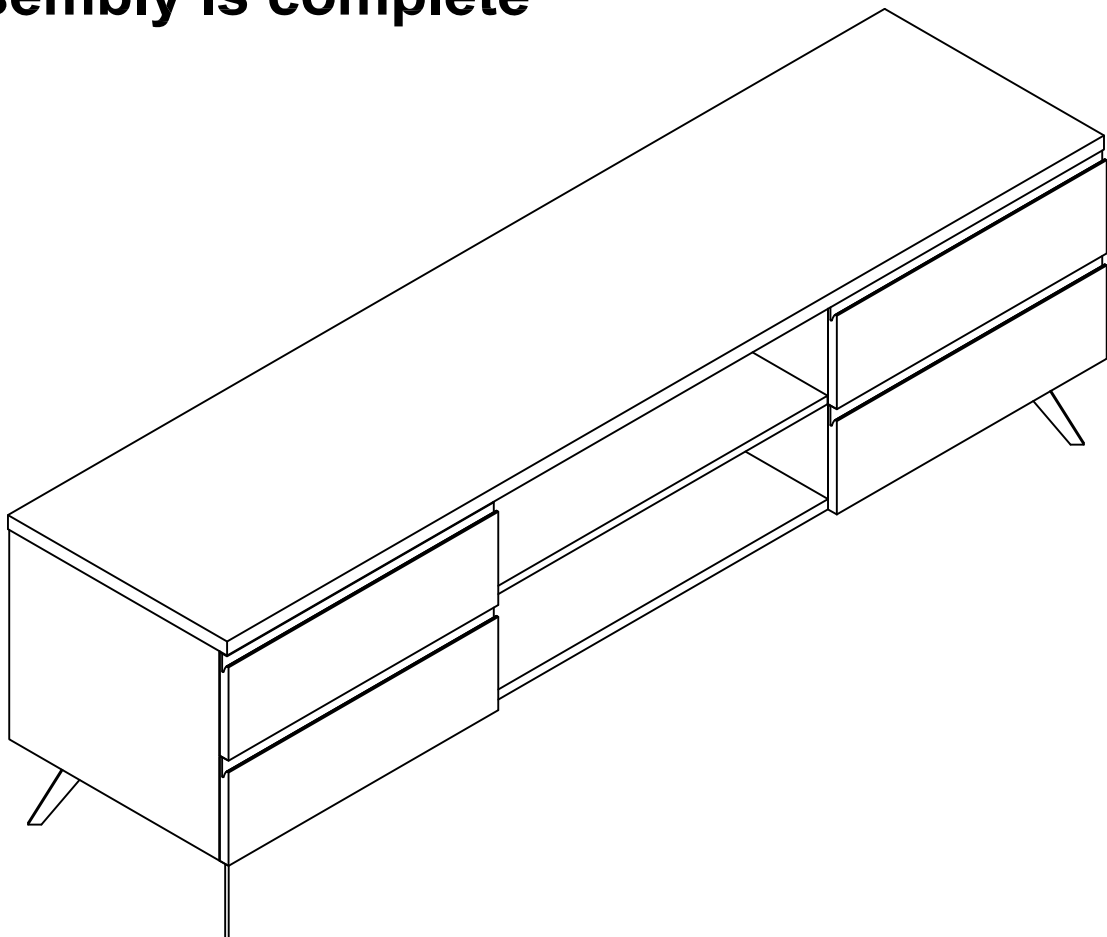
STEP 2: Use a Phillips Head Screwdriver to tighten the Connector(E)to the corner of back with screw(D).use a Phillips Head Screwdriver to tighten the Belt(J)to the Back Panel(C6) with Screw(J).



STEP 14: Insert the Drawers to the Body. Use Phillips Head Screwdriver tighten the Belt(M) to the wall with Screw(M).



Assembly is complete



Note -

Do not drag the furniture as this may cause damage to the legs. Instead, use 2 persons to lift carefully with caution from either end.

