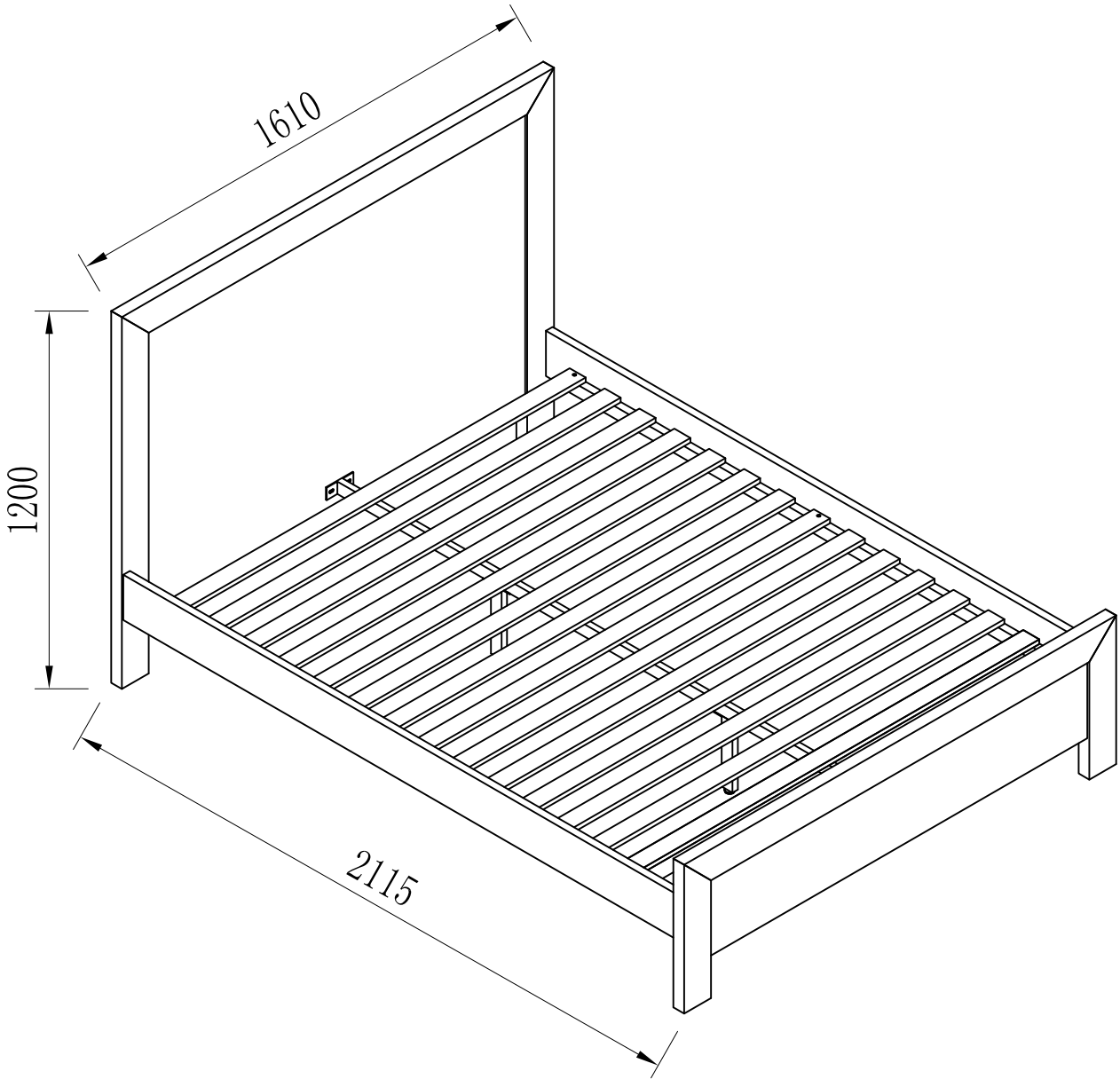




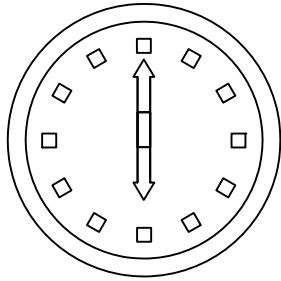
ASSEMBLY INSTRUCTION
TIBETQSBWH
TIBET QUEEN SIZE BED WHITE



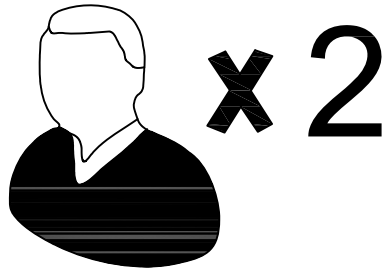
PRE-ASSEMBLY PREPARATION

Before you start:

1. Choose a clean, level, spacious assembly area. Avoid hard surfaces that may damage the product
2. Take care when lifting. Product should be assembled as near as possible to the point of use
3. Ensure that you have all required contents for complete assembly.
4. Always read the assembly instructions carefully before beginning assembly.
5. Keep all hardware parts and packaging out of reach of small children.
6. Do not over tighten the screws and bolts as this may damage the threads

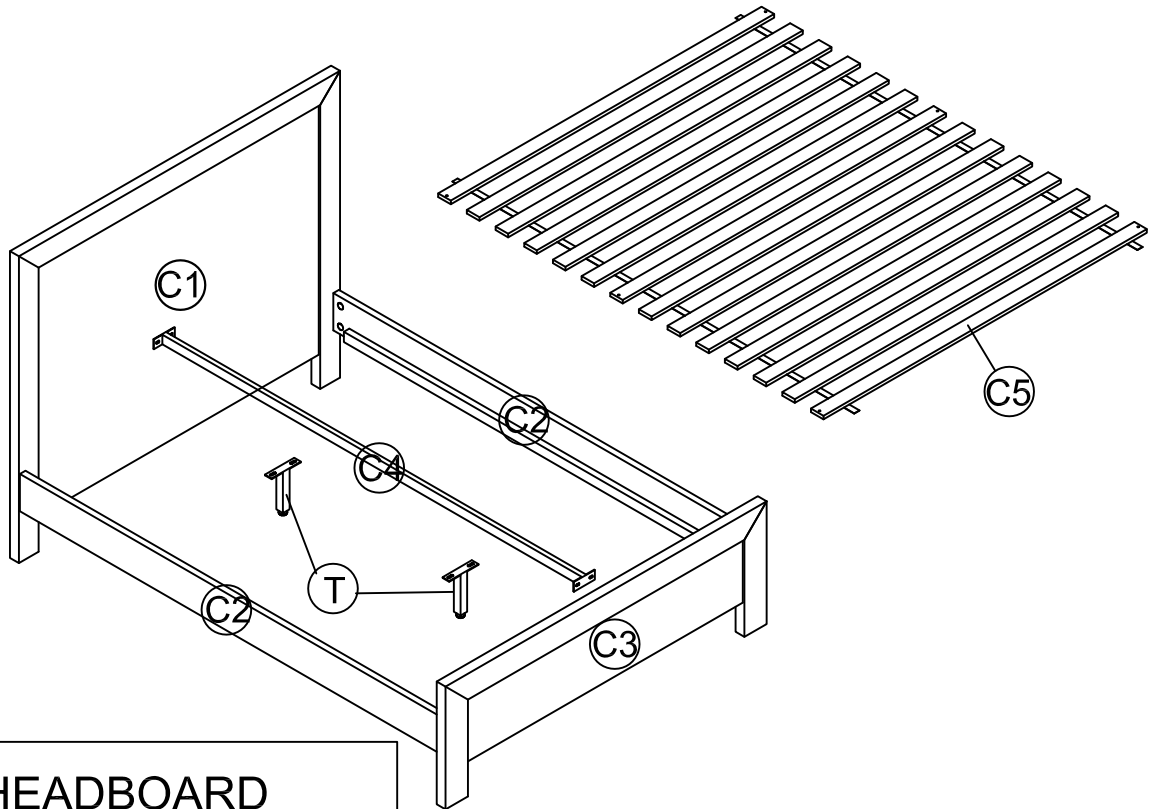


ALLOW 30 MINUTES

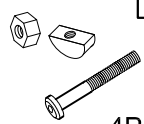
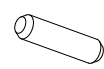
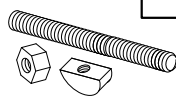




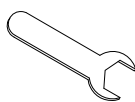



2 PEOPLE REQUIRED

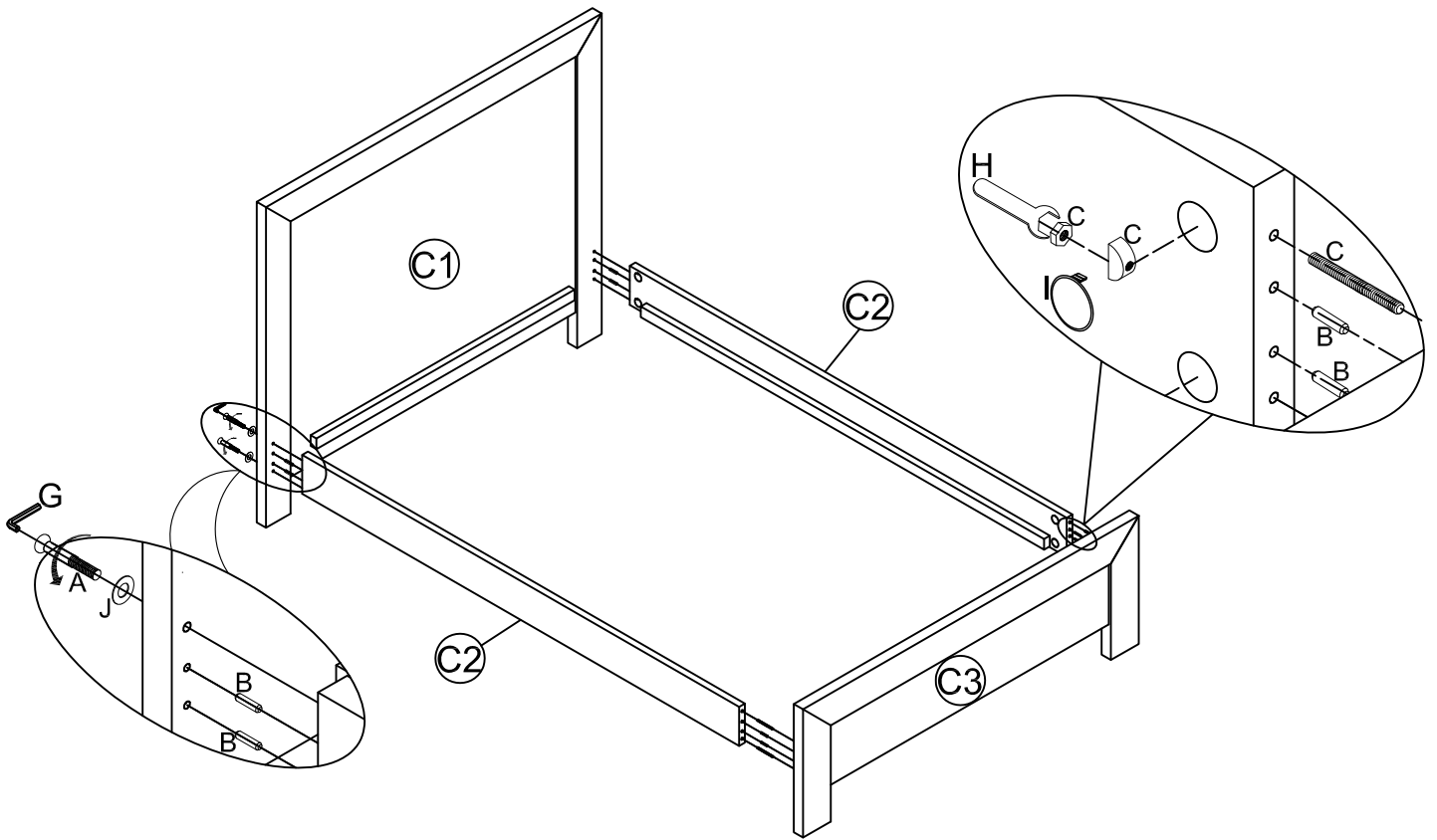
PARTS LIST



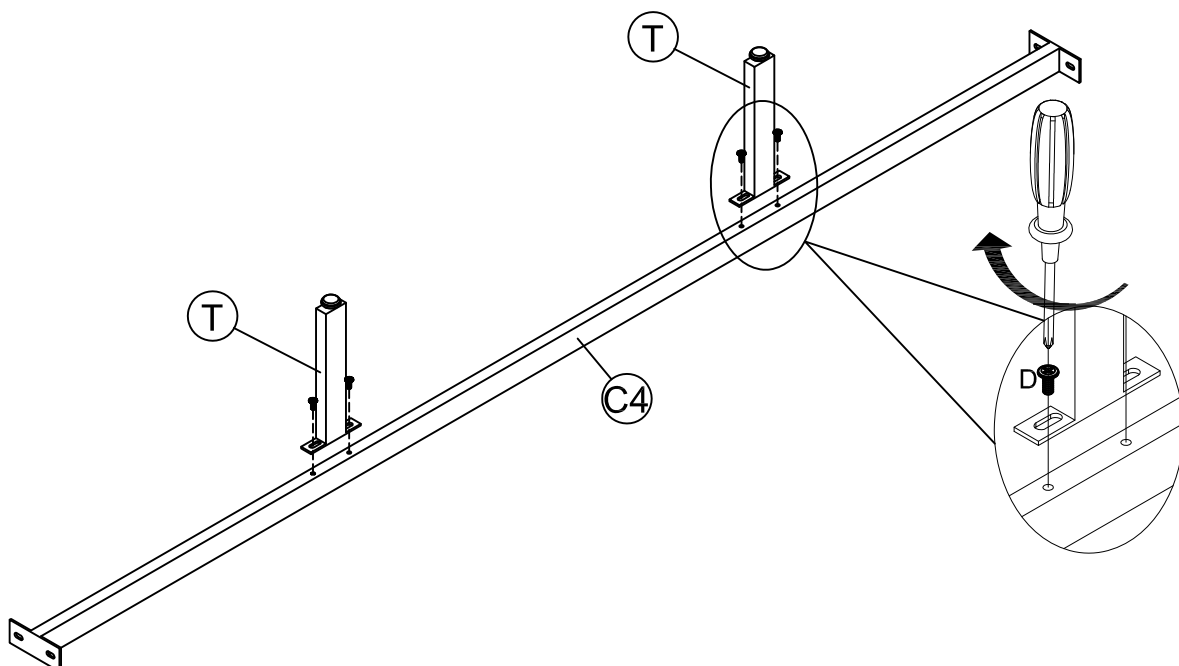
C1	HEADBOARD
C2	SIDERAIL
C3	FOOTBOARD
C4	Centre rail
C5	Slats(1547x1880x15mm)
T	Centre support leg

A.Bolt Ø8x90mm <input type="checkbox"/>  4PCS	B.Dowel Ø8x30mm <input type="checkbox"/>  8PCS	C.Bolt Ø8x85mm <input type="checkbox"/>  4PCS	D.Bolt M6x15mm <input type="checkbox"/>  8PCS	E.Screw Ø3.5X30 <input type="checkbox"/>  6PCS	F.Washer Ø8 <input type="checkbox"/>  4PCS
G.Hex Key 5MM <input type="checkbox"/>  1PCE	H.Wrench Key M14 <input type="checkbox"/>  1PCE	I.Cover Ø38 <input type="checkbox"/>  8PCS			

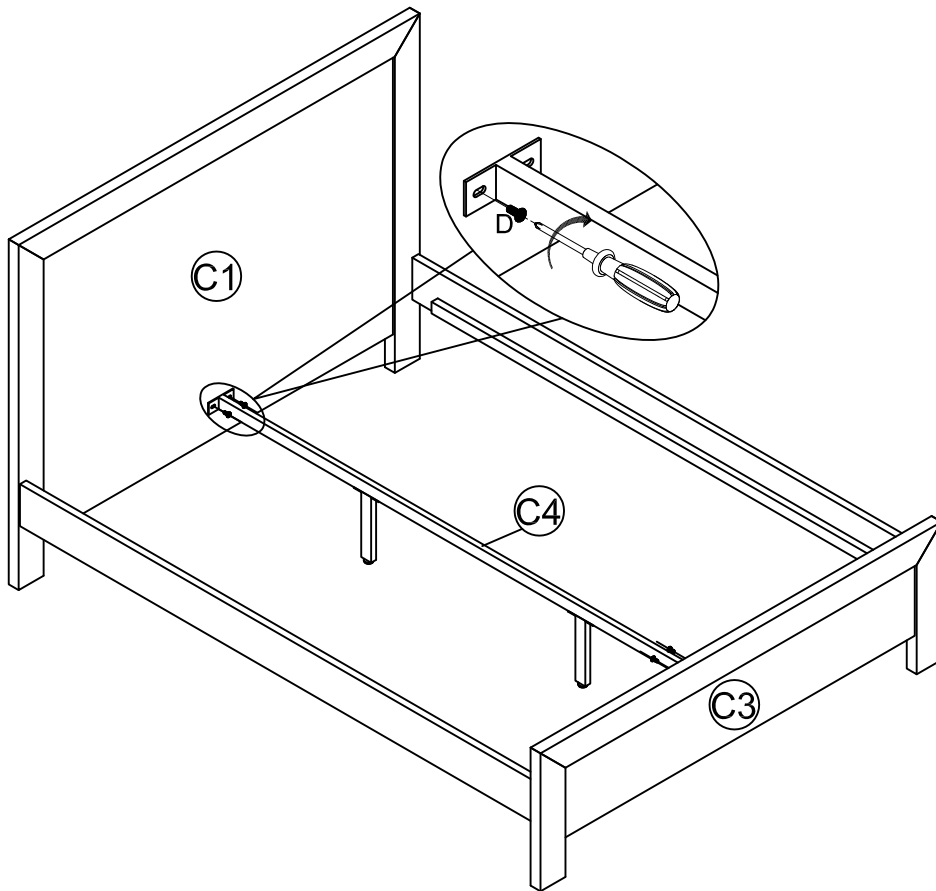
STEP 1: FIX Dowels(B) on siderail(C2) Tighten the headboard with bolts(A)washer(F) and tighten the Footboard with bolts(A/C).tighten all bolts than put the cap(I)to the big hole on siderail.



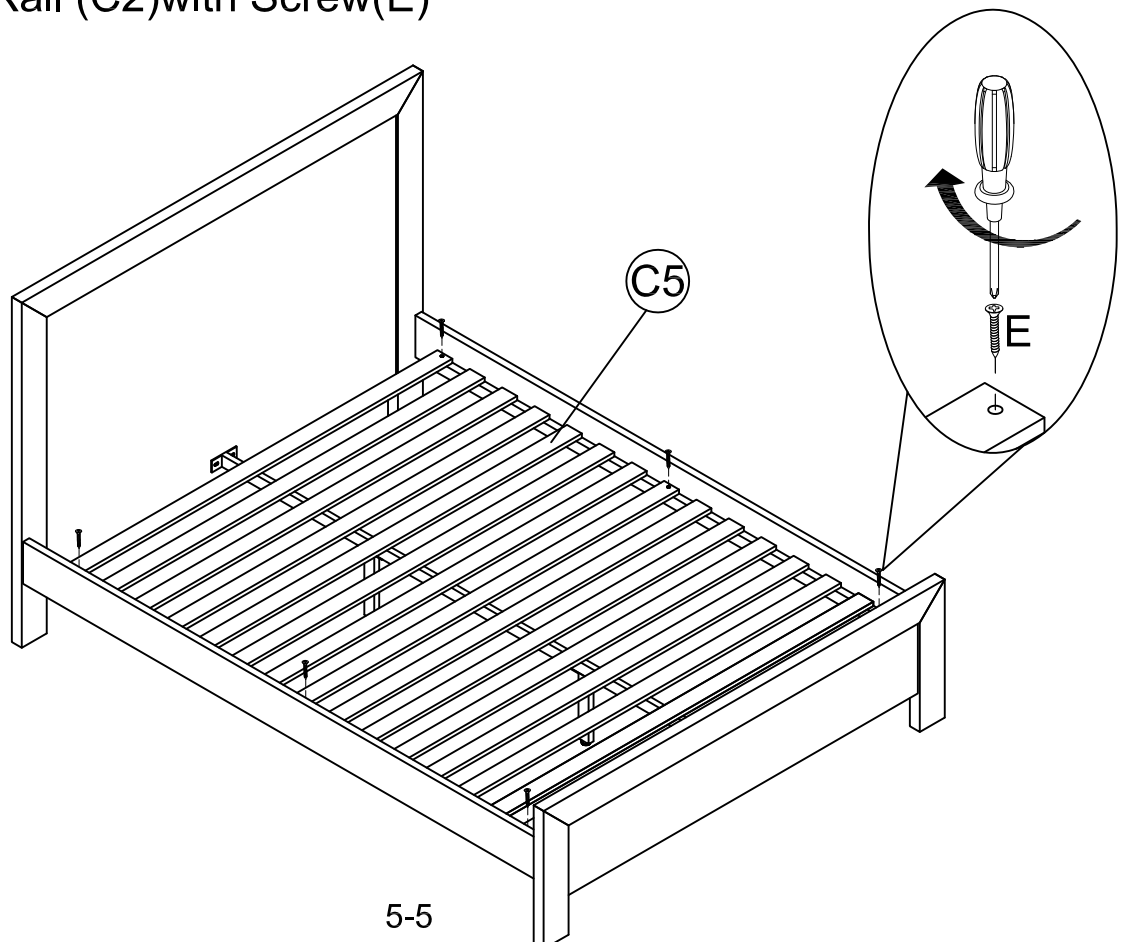
STEP 2: Use Hex Key to tighten Centre Support Leg(C4)to the Centre Rail(T)with Bolt(D)



STEP 3: Use Hex Key to tighten Centre Rail(C4)to the Headboard (C1)and Footboard (C3)with Bolt(D)



STEP 4: Use a Flat Head Screwdriver to tighten the Slat(C5)to the Side Rail (C2)with Screw(E)



IMPORTANT: CARE GUIDE FOR YOUR HI-GLOSS FURNITURE

Hi-gloss lacquered furniture is more sensitive to marks and scratching than some other furniture products. It is important to exercise caution and care to maximise the life and beauty of this product.

Following the below simple guidelines when using your hi-gloss product will protect your investment for years to come:

- Dust frequently with a clean damp, lint-free cloth. This will help remove abrasive build up which can damage a finish over time.
- Avoid using chemicals or solvents when cleaning the product.
- Do not place hot objects on any furniture surface. Always use a hot plate or placemat. Lacquer finishes provide added scratch and heat resistance to our furniture, but they can still be damaged without proper care.
- Avoid exposing your furniture to strong sunlight. Prolonged exposure to direct sunlight can fade the finish of your furniture.
- Do not expose your furniture to any liquids. Avoid allowing water to sit on your furniture. Alcohol, nail polish and perfume are particularly harmful as they will dissolve the lacquer finish on contact.
- Do not allow plastic to come in direct contact with your furniture. Chemicals in the plastic of some placemats etc may soften and mark the finish if left in contact with the furniture for a period of time.
- Avoid placing sharp or rough objects on the surface of your furniture. These may scratch the surface of the product.
- When moving your furniture, do not drag it across the floor. This may damage the product. Instead use two people to lift carefully with caution from either end.