



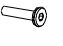
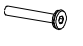



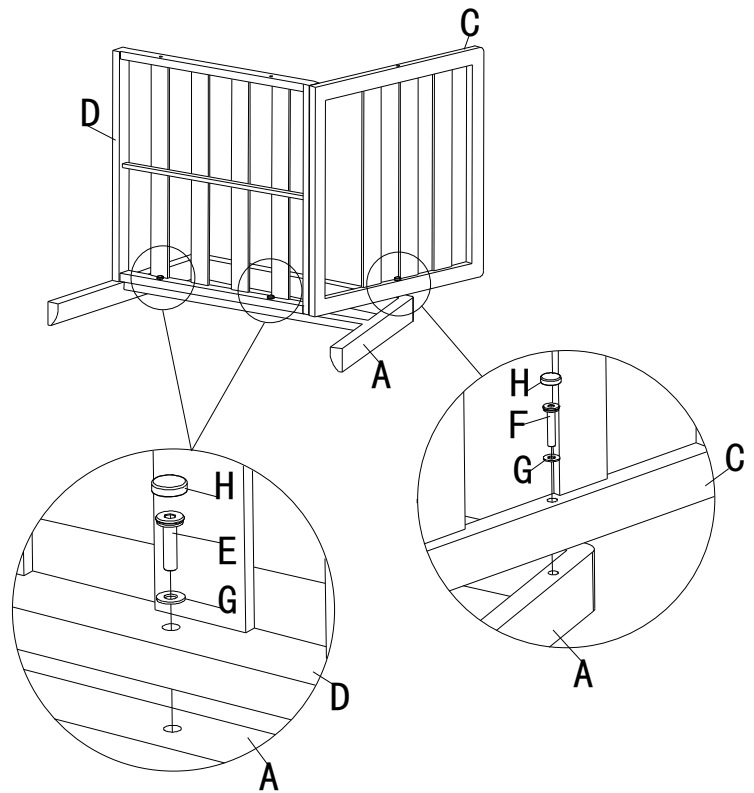
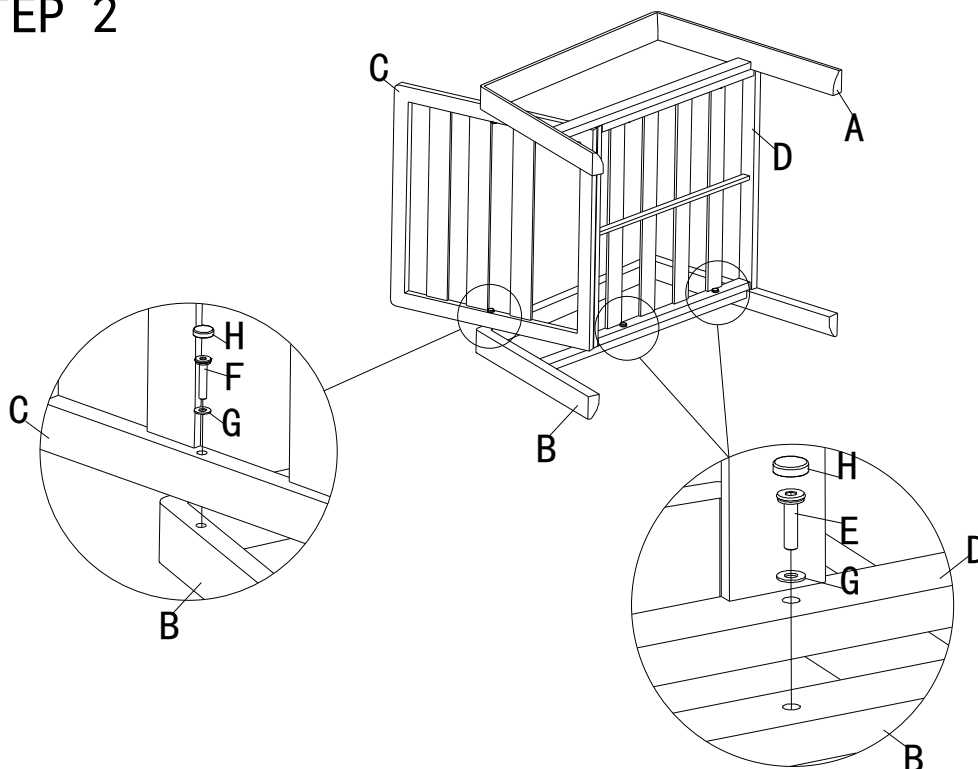


STEP 1

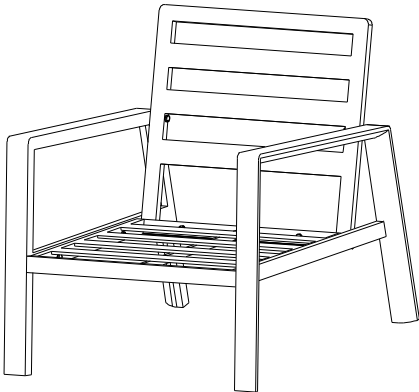
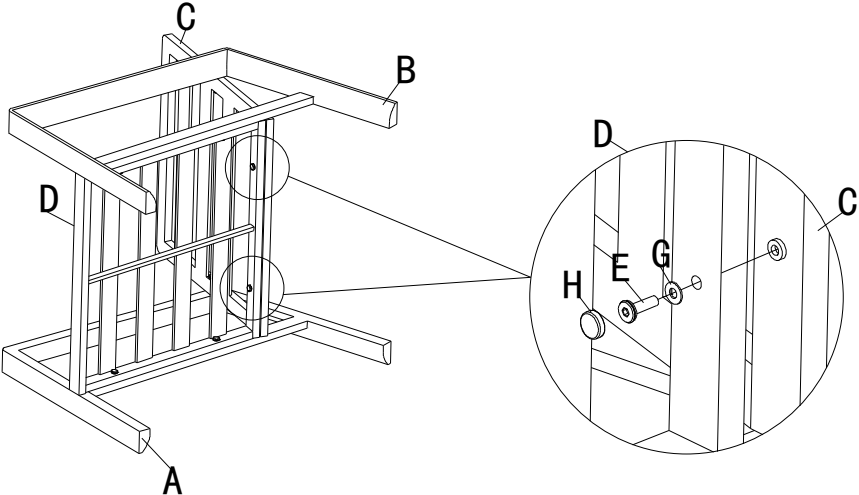
A		1
B		1
C		1
D		1
E	 M6*30mm	6
F	 M6*50mm	2
G		8
H		8
I		1





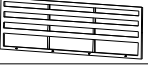
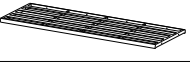


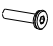
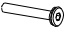


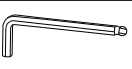
STEP 2

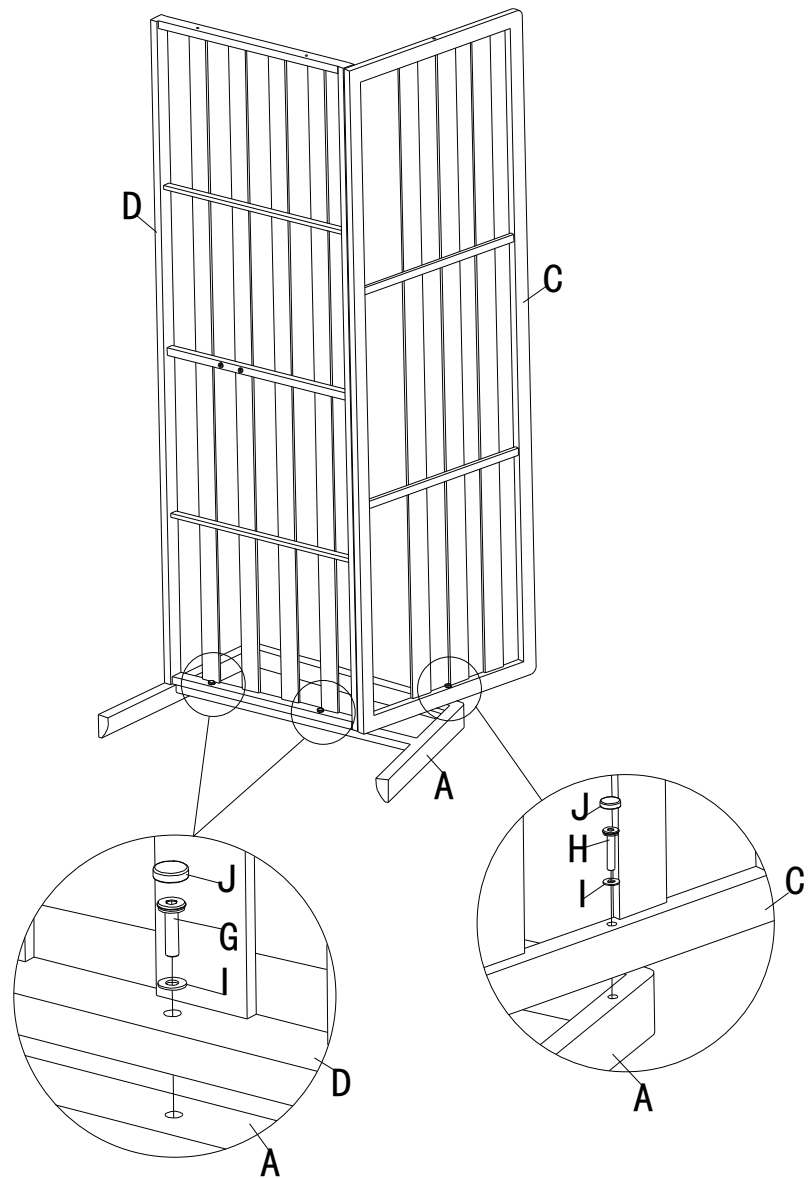


STEP 3

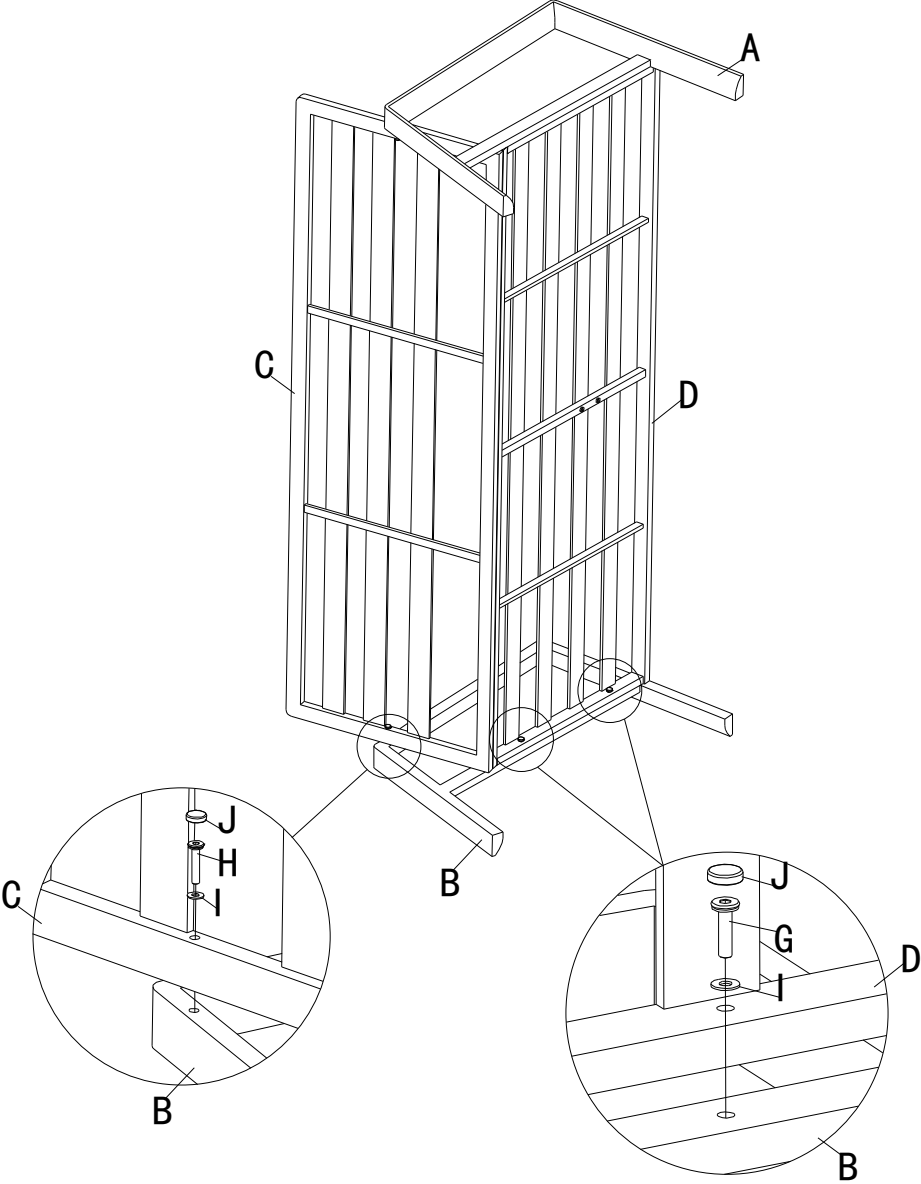


STEP 1

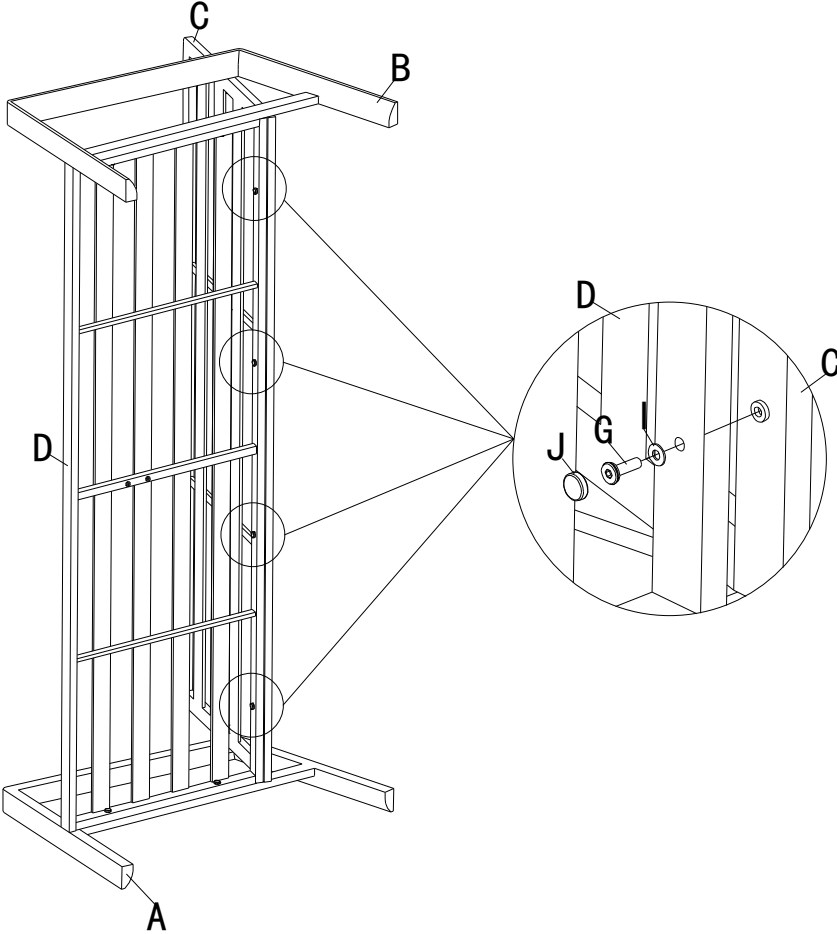
A		1
B		1
C		1
D		1
E		1
F	 M6*15mm	2
G	 M6*30mm	8
H	 M6*50mm	2
I		12
J		12
K		1



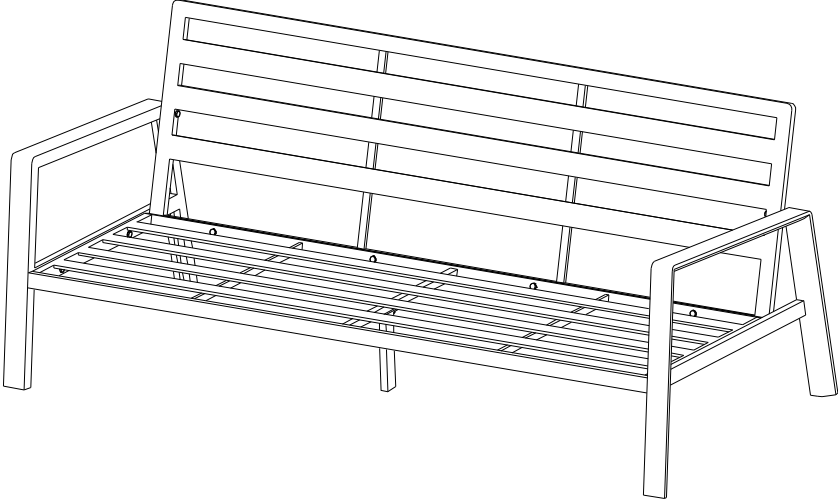
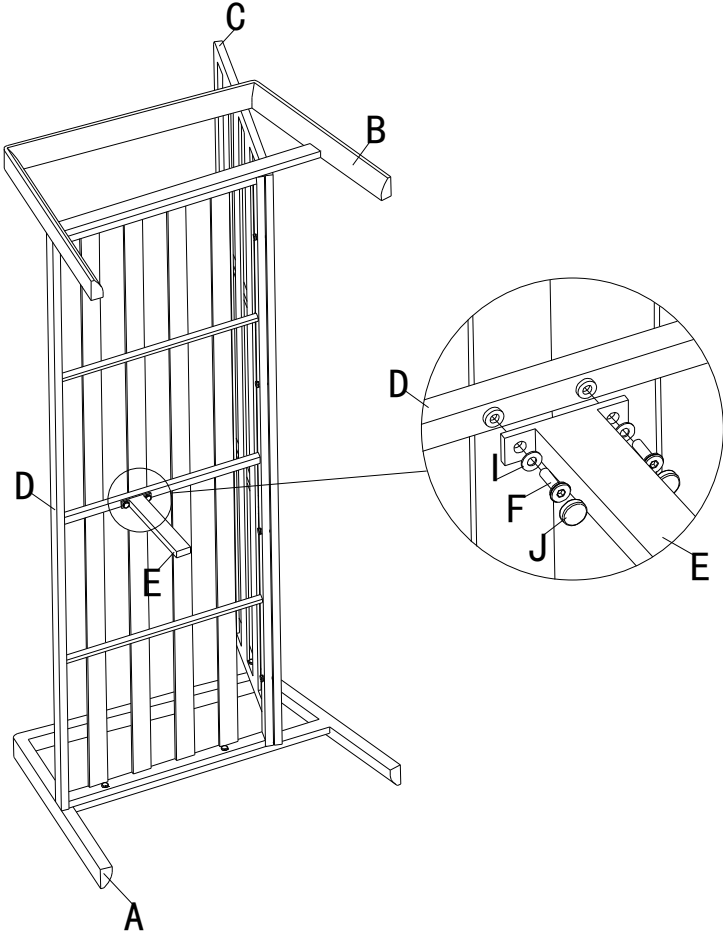
STEP 2

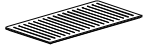
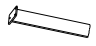







STEP 3



STEP 4



A		1
B		2
C		2
D	 M6*15mm	12
E		12
F		12
G		1

