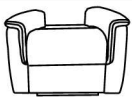



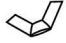



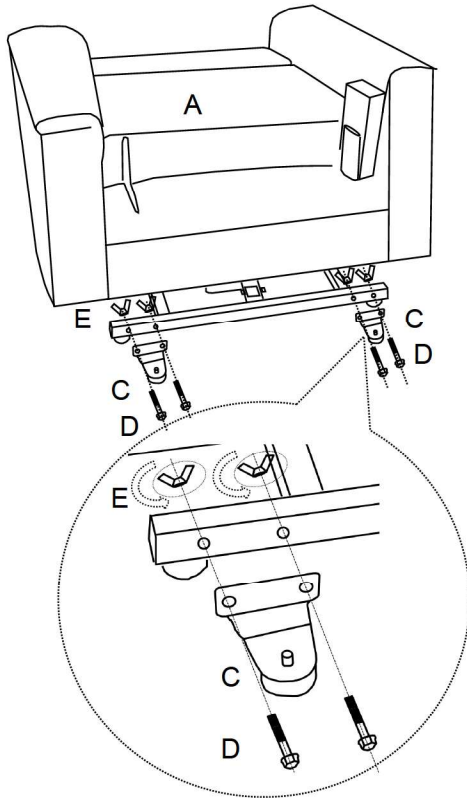


Assembly Instruction

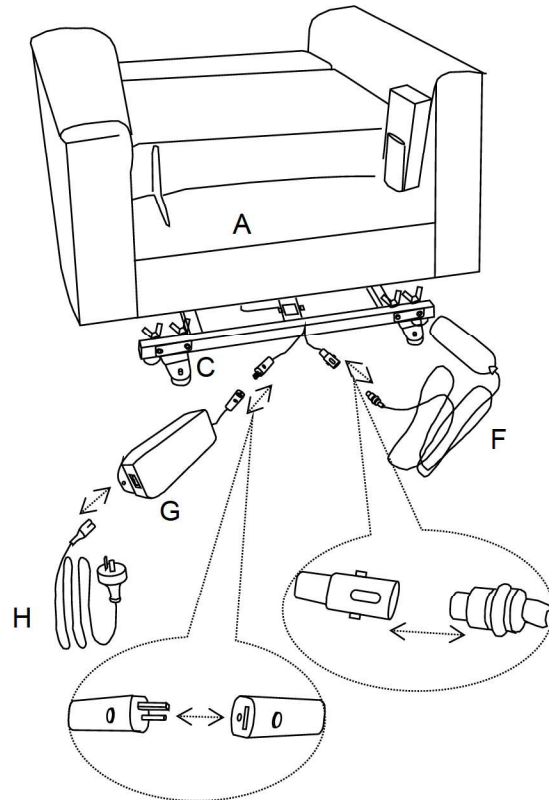
M209 lift chair

Parts List	A, 1 PC chair base	B, 1 PC backrest	C, 2 pcs extended leg	D, 2 pcs bolt	E, 2 pcs nut	F, 1PC hand controller	G, 1 PC Adapter	H, 1 PC Power Cord
								

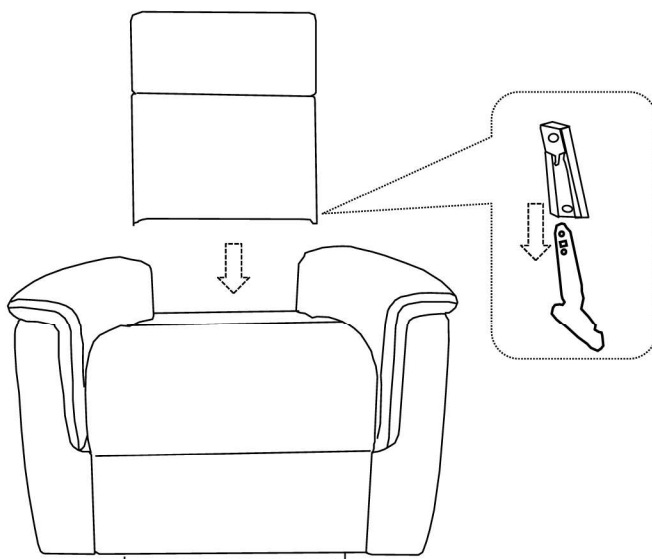
Step 1, Take out the package of C/D/E/F/G/H from the rear end of the chair. Then assemble the extended leg C to A with D/E.



Step 2, Plug H into the G, and connect the wire from the bottom of the seat into the G. Connect another plug from the bottom of the seat into the F.



Step 3, Assemble the backrest.



Step 4, Completed.

