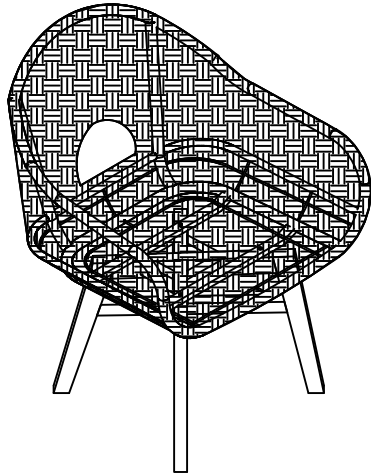


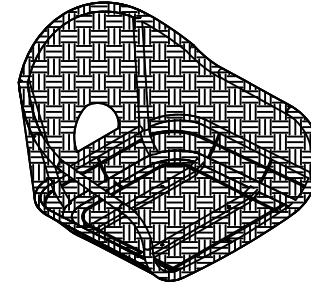
# ASSEMBLY INSTRUCTION

HUC25166

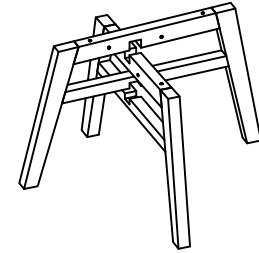


These instructions must be used to ease the assembly of your furniture.  
Please ensure that you have all the components before assembly.  
Remember to place the part on a carpeted floor or blanket in order to protect them from damage while you assemble.

## Components



A.BASE X 1



B.LEGS FRAMES X 2



C.BLOCK X 4



① Bolt M6 x 55 = 4pcs



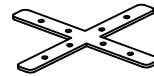
Caps



② Bolt M6 x 60= 4pcs



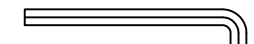
③ Screw M4 x 15 = 8pcs



④ Bracket x 1

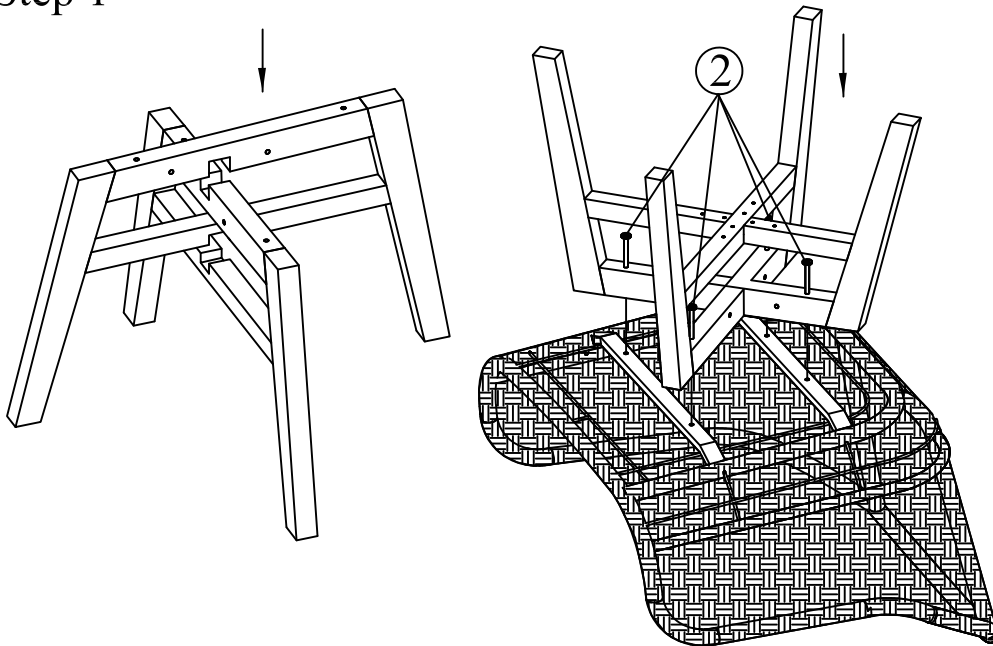


⑤ Screwdriver x1

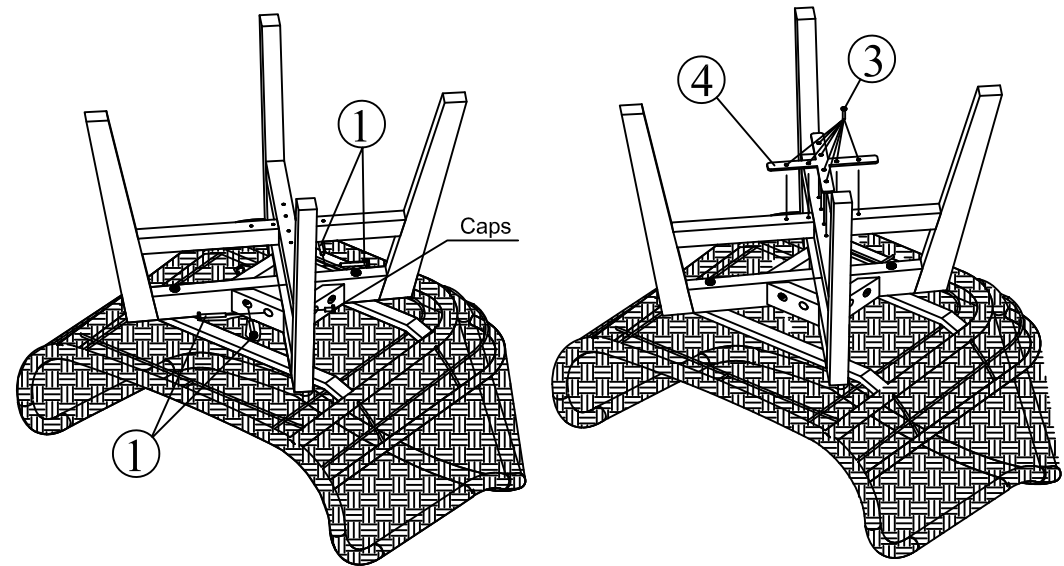


⑥ Allen Key 4 x 2

## Step 1



## Step 2



Finished