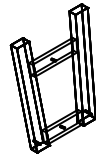
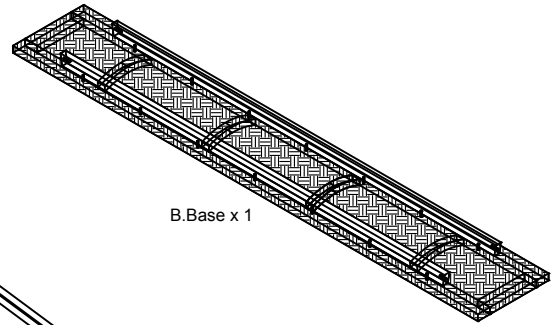


These instructions must be used to ease the assembly of your furniture.
Please ensure that you have all the components before assembly.
Remember to place the part on a carpeted floor or blanket in order to protect them from damage while you assemble.

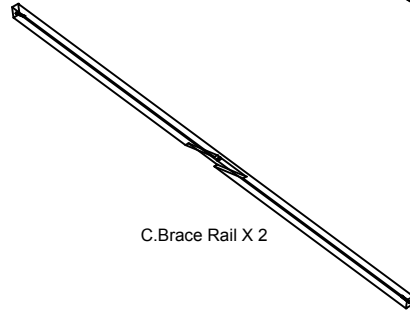
Components



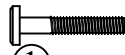
A.Legs frames x 2



B.Base x 1



C.Brace Rail X 2



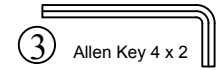
① Bolt M6 x 25 = 1pce



Cap

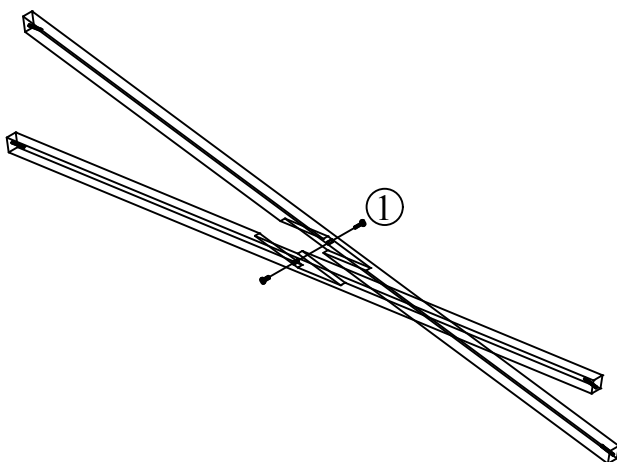


③ Screw M6 x 60 = 8pcs

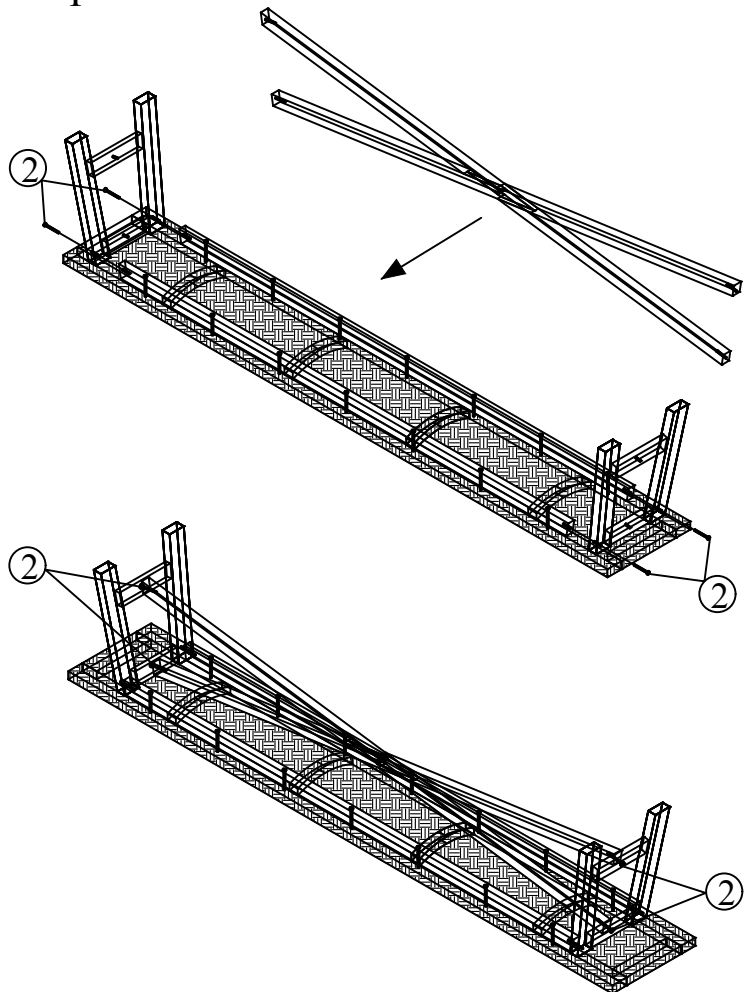


③ Allen Key 4 x 2

Step 1



Step 2



Finished