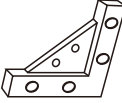


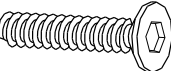

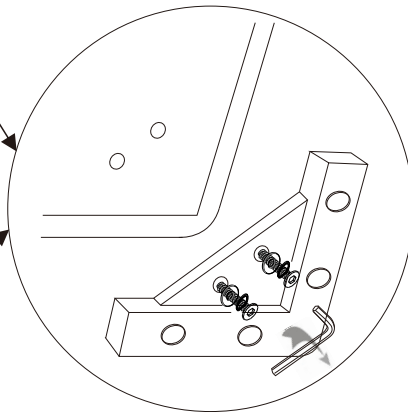
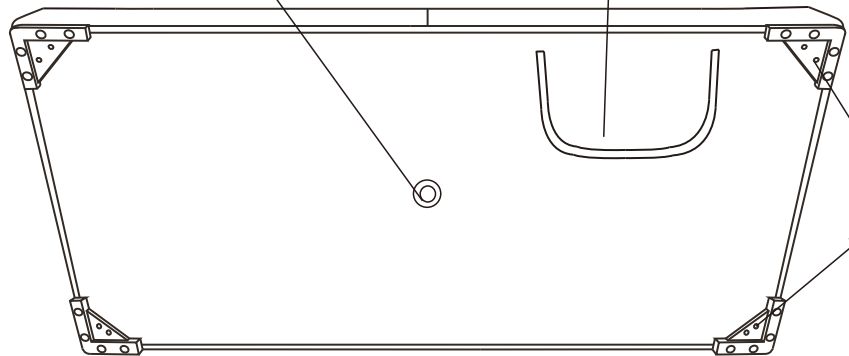
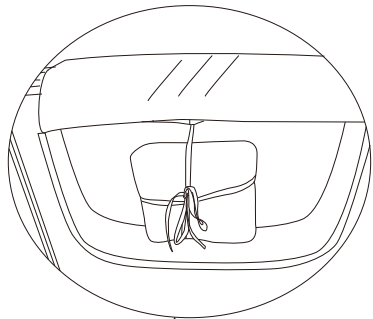
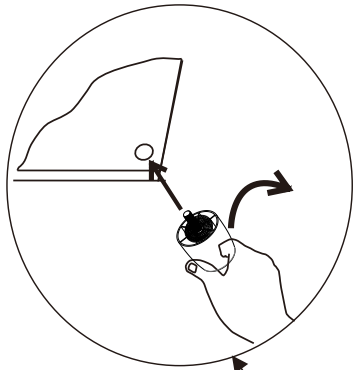
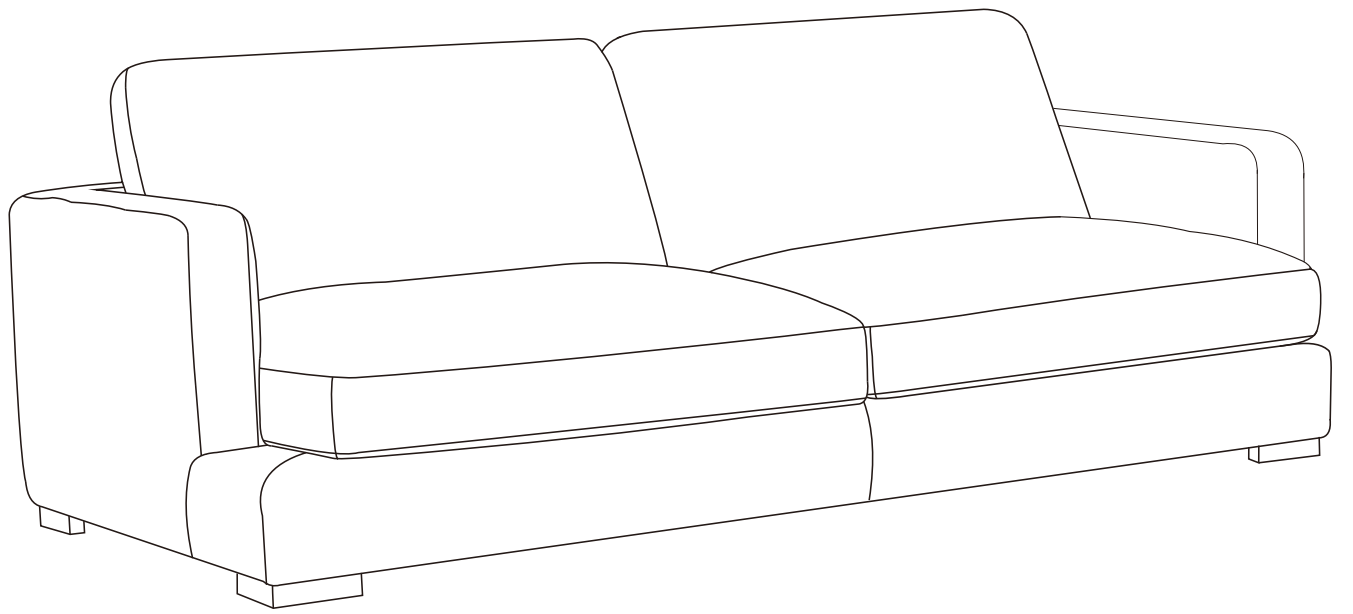
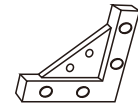


-  x 4
-  x 8
-  x 8
-  x 8
-  x 1



x 1



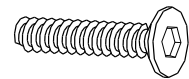
x 4



x 8



x 8



x 8



x 1