





<b>A</b>	
x 4	M6x40mm

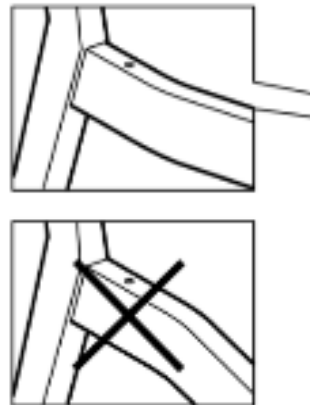
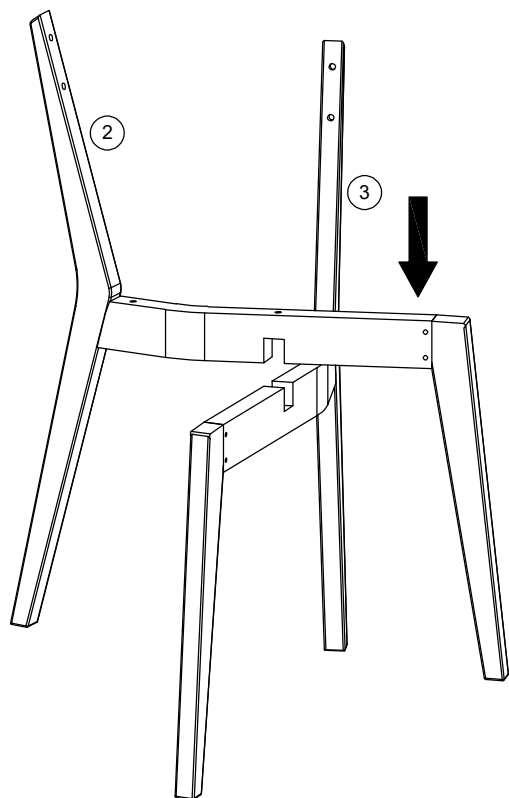
<b>B</b>	
x 5	M6x65mm

<b>C</b>	
x 4	M6x30mm



<b>D</b>	
x 1	

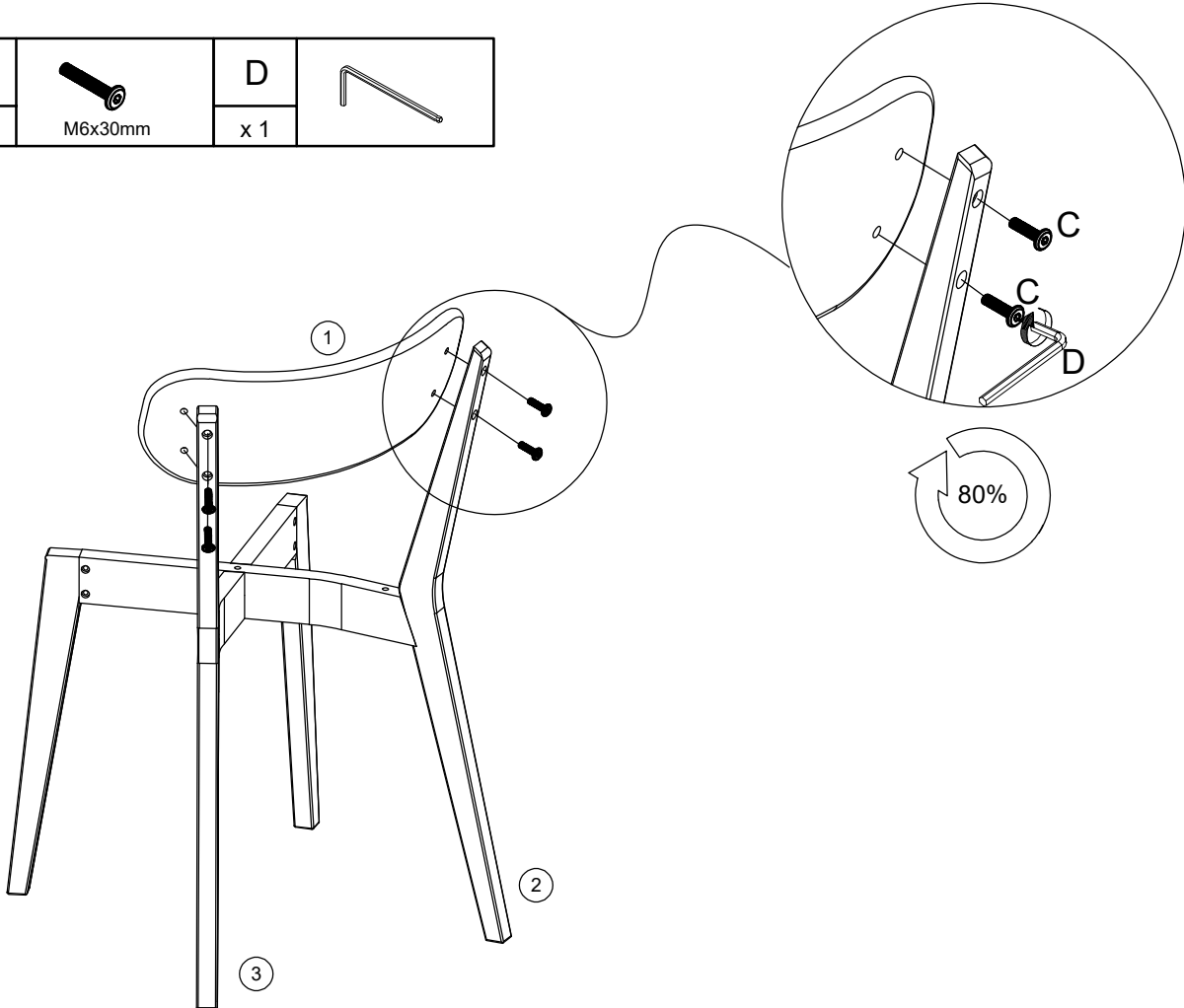
<b>E</b>	
x 4	Ø25mm

# 1





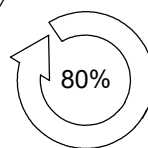
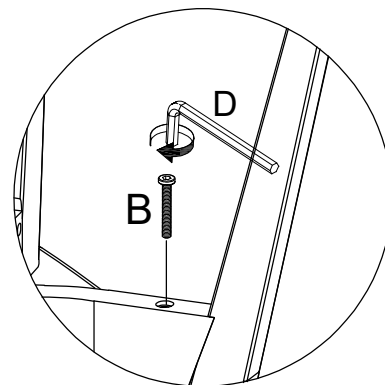
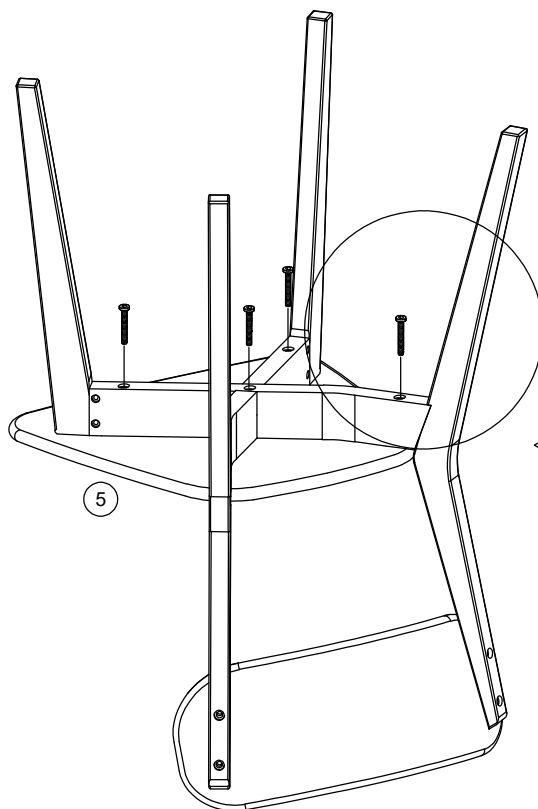
# 2

C		D	
x 4	M6x30mm	x 1	






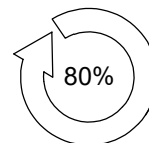
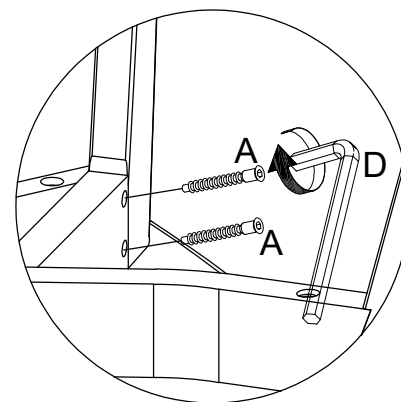
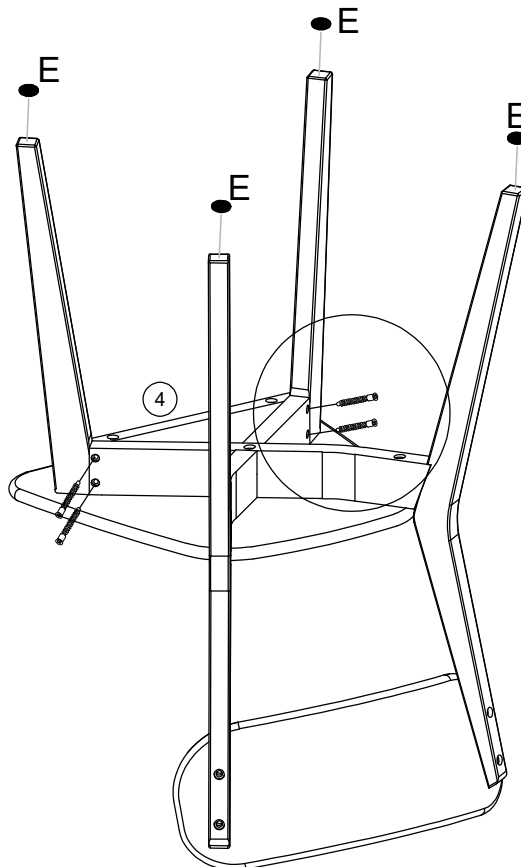
# 3

B		D	
x5	M6x65mm	x1	

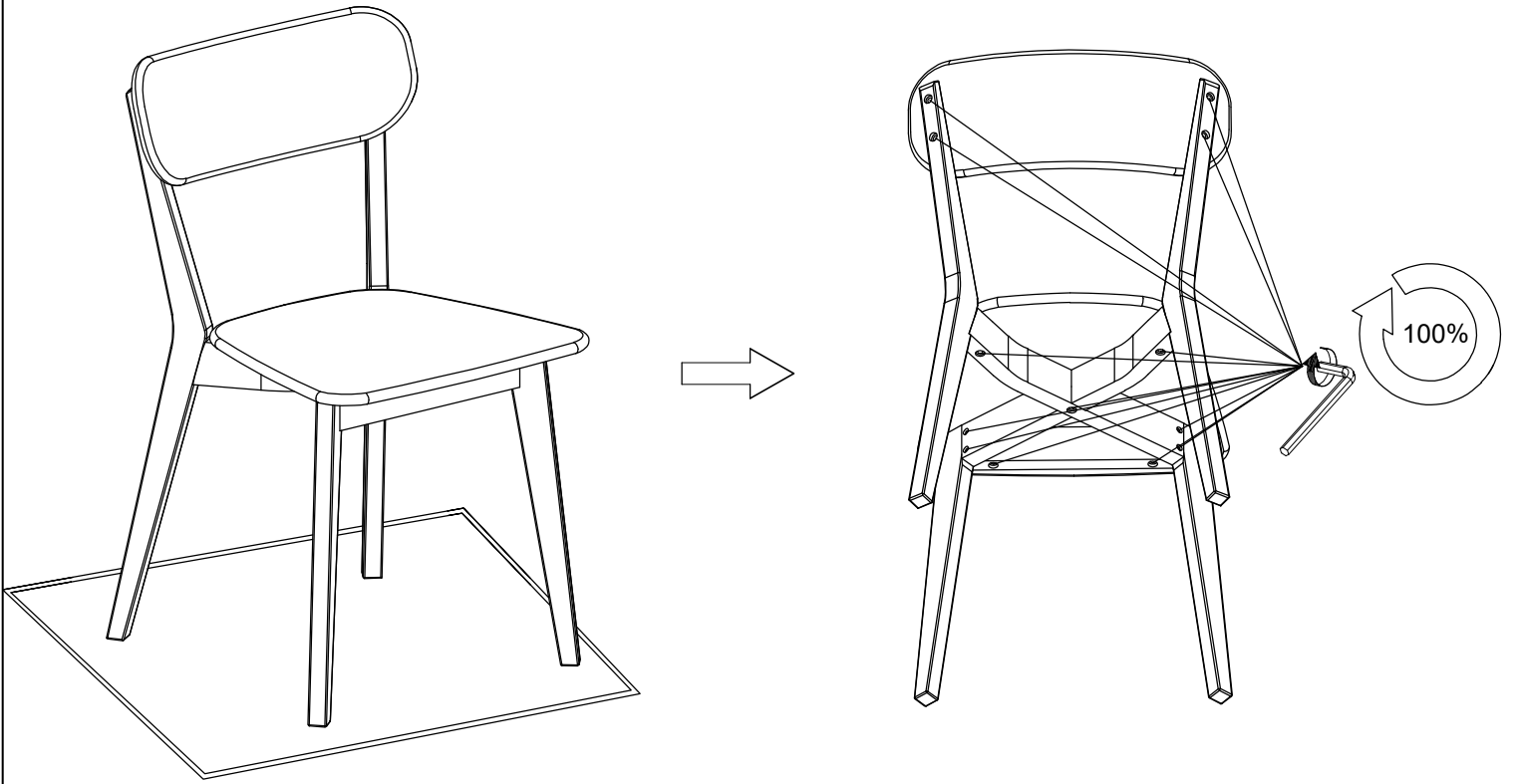


# 4

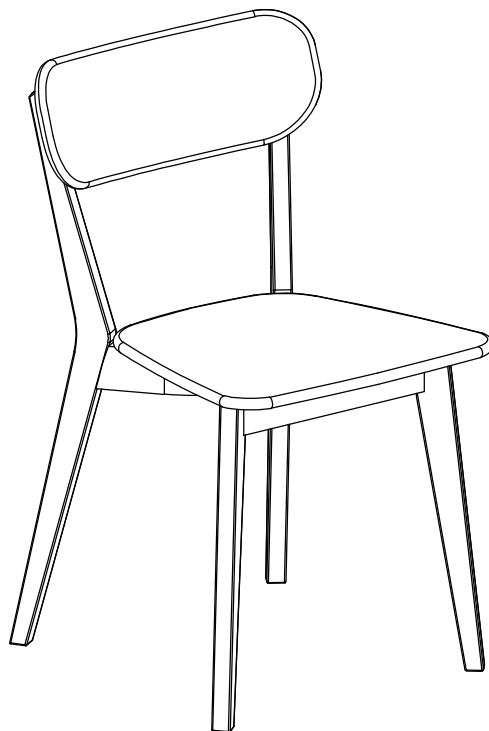
A		D		E	
x4	M6x40mm	x1		x4	Ø25mm



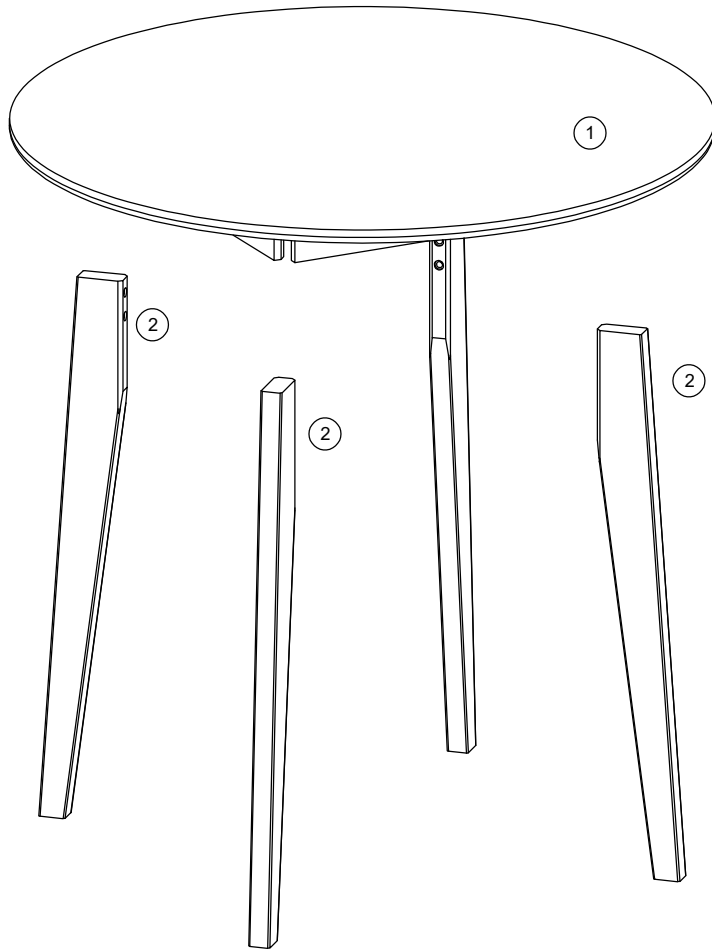
5





6




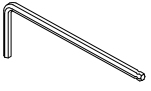





A	
x 8	M8x65mm





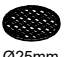
B	
x 8	

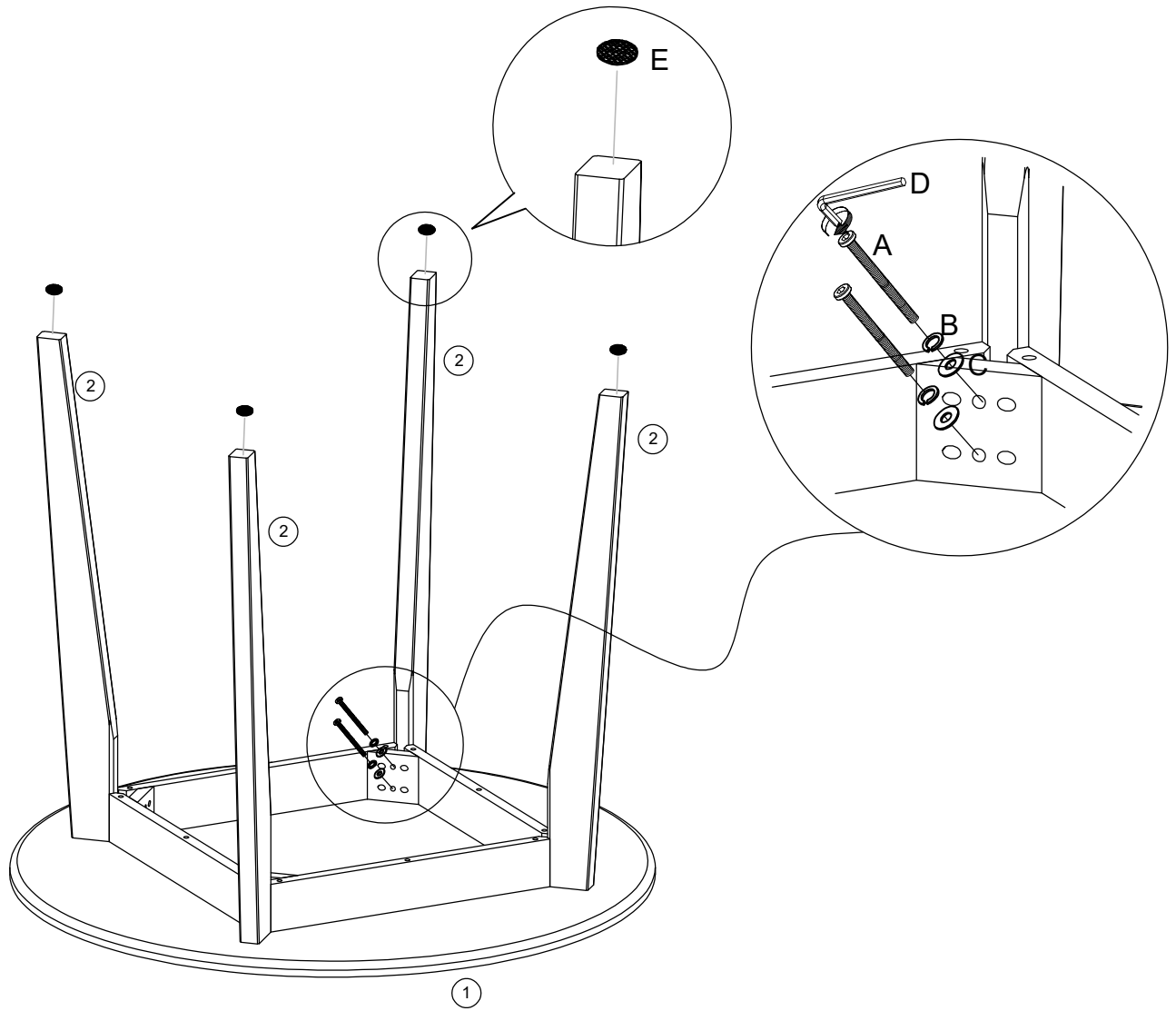
C	
x 8	

D	
x 1	

E	
x 4	Ø25mm

# 1

A		B		C		D		E	
x 8	M8x65mm	x 8		x 8		x 1		x 4	Ø25mm



2

