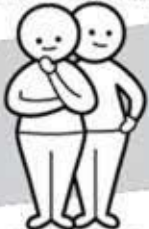


TWO PEOPLE



REQUIRED

F28

Sofa 2 Seater &
Sofa 3 Seater

Assembly checklist



Read through the instructions carefully before you begin.



Make sure you have all the required tools. Never use power tools unless instructed.



Identify and lay out all of the components before you begin assembly.



Unless instructed, do not fully tighten screws until the item is fully assembled.

Useful Information

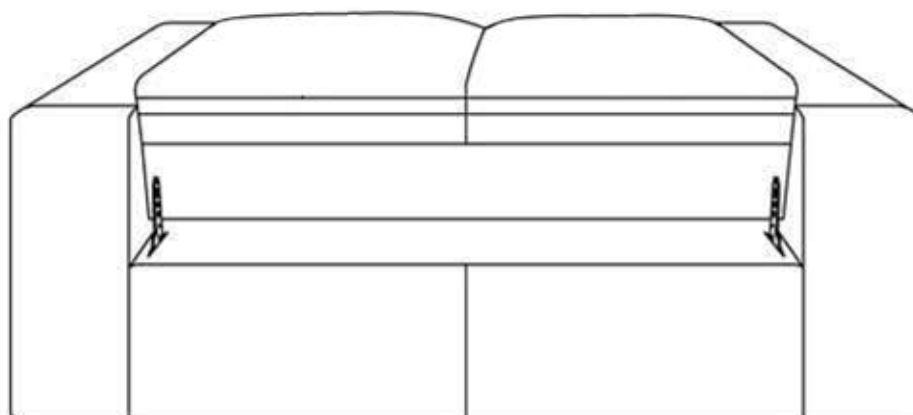
- ! Never use power tools unless specifically instructed. They can damage your components or hardware if used incorrectly.
- ! The most common mistakes made during assembly are using the wrong hardware or getting components back to front.
- ! Always use a soft surface (such as carpet or cardboard) when assembling your product to avoid scratching or damaging the surface of the product.
- ! Bulky items such as wardrobes and bunk beds should be assembled in the room they will be used in as they may not fit through a door once assembled.
- ! Never use any glue until you are certain that the parts belong together.
- ! Periodically check and re-tighten all fasteners. Check the product care label or for product care instructions.

What you Need:

to assemble the product



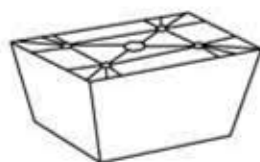
DO NOT USE



TIVOLI SOFA

Parts list:

Sofa 2 seater
or 3 seater



H1

4 X LEGS



H2

4 X BOLTS



H3

4 X WASHERS

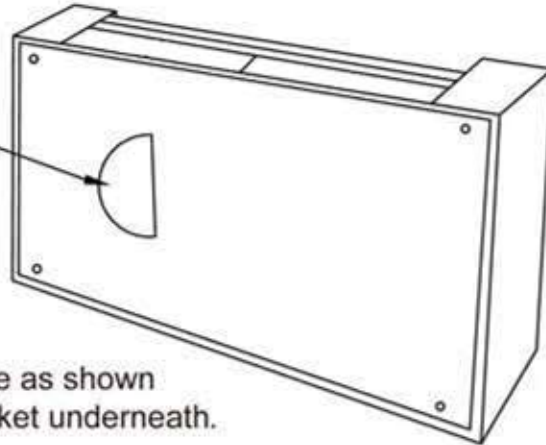


H4

1 X ALLEN KEY

Step 1

Note:
Here is the hardware.

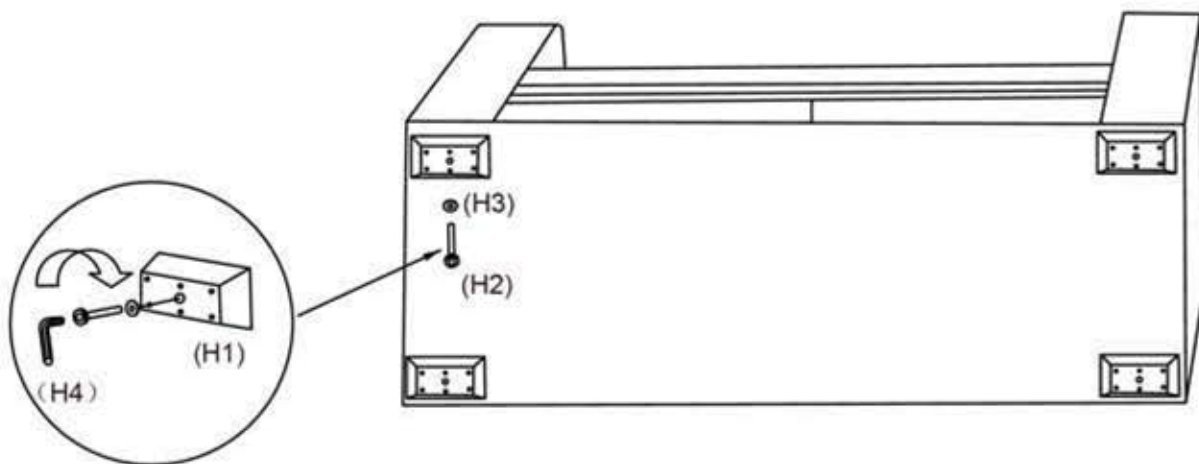


Place each piece on a flat, clean surface as shown and remove hardware box from the pocket underneath.

Step 2

You will need:

4 X LEGS (H1) (Per piece)		4 X BOLTS (H2) (Per piece)	
4 X WASHERS (H3) (Per piece)		1 X ALLEN KEY (H4) (Per piece)	



Attach 4 X legs (H1) into position as shown with 1 X bolt (H2) and 1 X washer (H3) using allen key (H4).

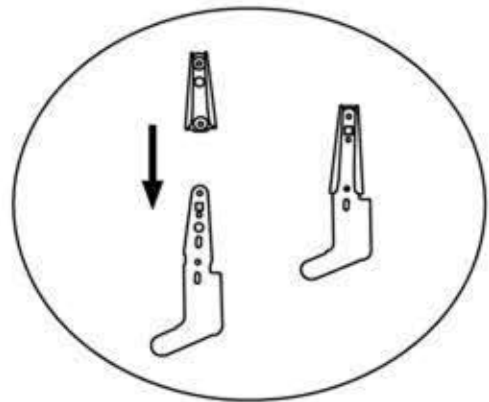
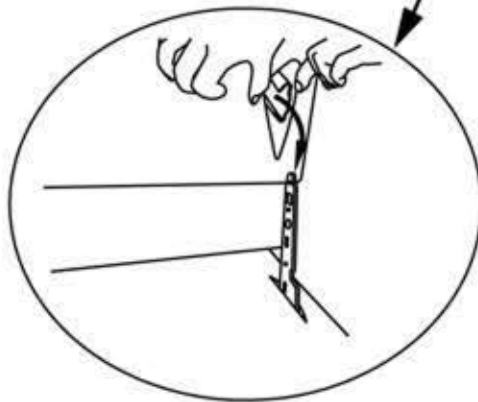
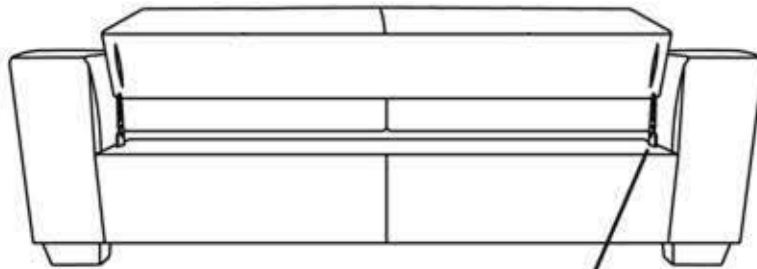
Step 3

TWO PEOPLE

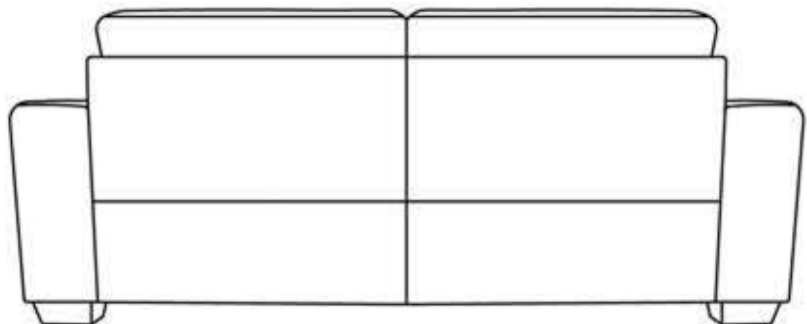


REQUIRED

TIVOLI SOFA 3 SEATER / 2 SEATER



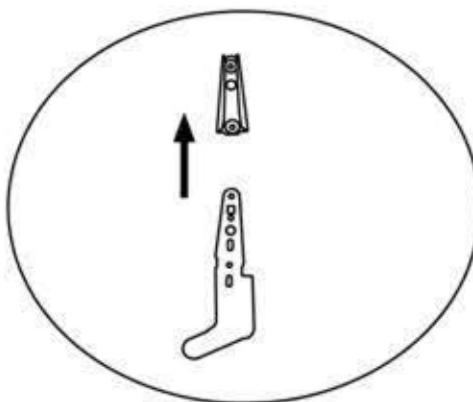
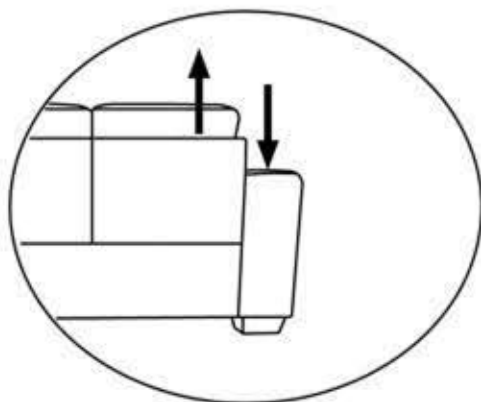
Align the grooves together,
and install the back securely.
Push the back piece down
and listen for the click, ensure
the back piece is fully locked
into position.



To take the back piece off,
please follow the instructions on the next page.

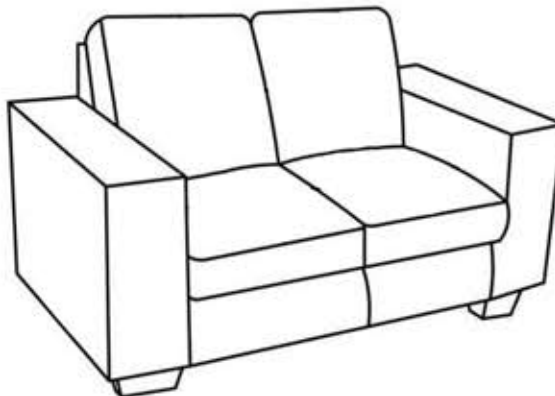
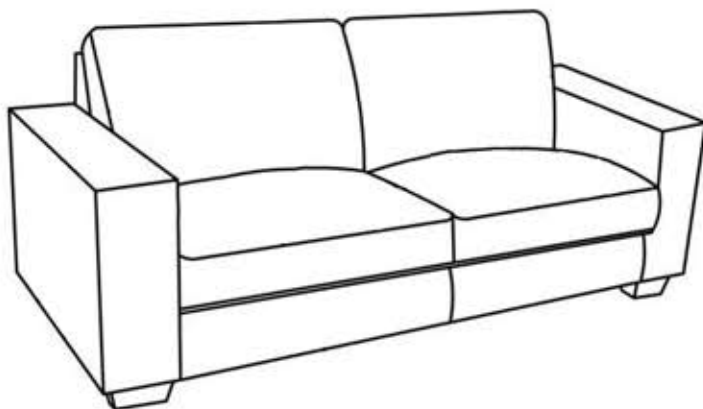
To take the back piece off, push down the arm rests and then carefully pull the back piece up.

TWO PEOPLE



Step 4

Place your sofa into an upright position.



Job Complete!

In the interest of our environment please dispose of all packaging thoughtfully.