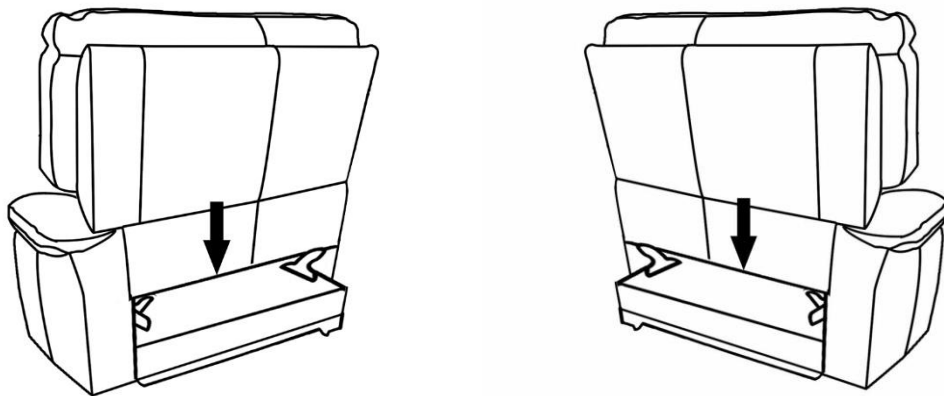




## Assembly Instructions: PHOEBE

STEP 1. Open the cartons of E97(PHOEBE), assemble the back on the base according to the below



STEP 2. Commencing with recliner arm RHF followed by armless chair then, recliner LHF with clips which are already installed on the sofa.

---