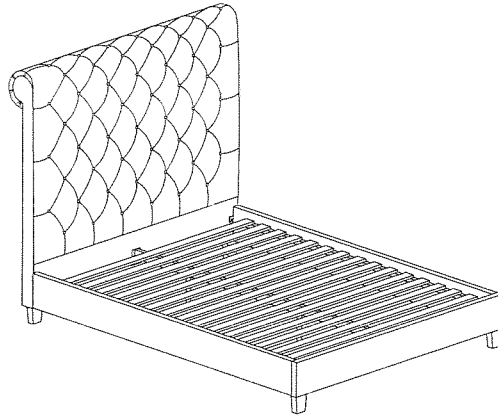
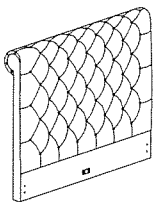


MODEL : TOSCA BED

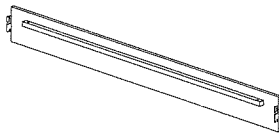


KING

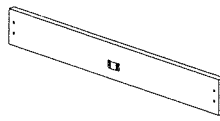
PART LIST



A-HEADBOARD X 1PCS



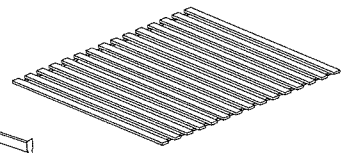
B-SIDE RAIL R/L X 2PCS



C-FOOTBOARD X 1PCS



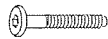
D-CENTER RAIL X 1PCS



E-FLAT SLAT X 15PCS



F-ALLEN HEAD SCREW (M8X30MM) X 8PCS (pre-assembled)



G-ALLEN HEAD SCREW (M8X60MM) X 6PCS



H-ALLEN KEY X 1 (M8)



I-WOOD LEGS X 4PCS



J-CENTER SUPPORT LEG X 2PCS

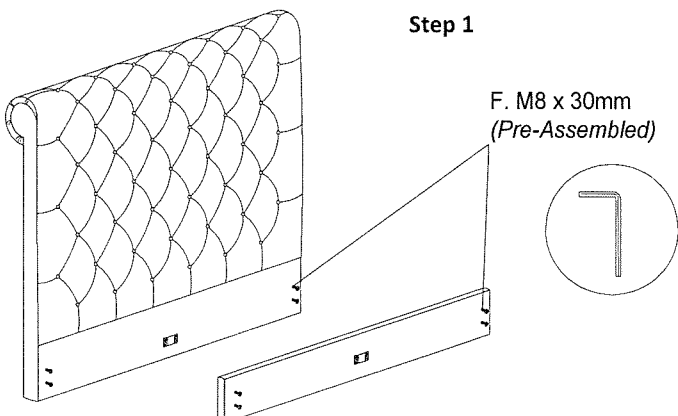


K-DOWEL X 4PCS

1- LOOSE THE BOLTS ON PART A & C

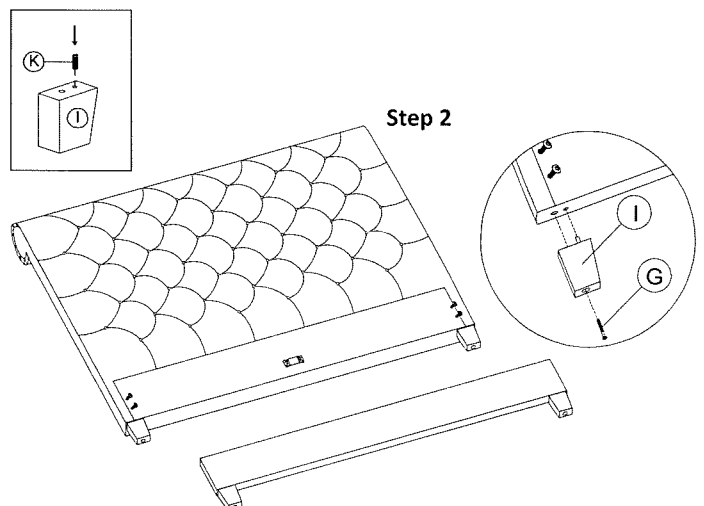
CAREFULLY UNPACK ALL ITEMS FROM THE CARTONS. You will need a allen key M8

Step 1- Loose the bolts on part A & C.



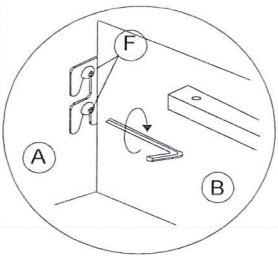
2- ATTACHING WOOD LEG TO HEADBOARD AND FOOTBOARD

Step 2- Put dowel to the wood leg. Attach wood leg (I) to the headboard and footboard. Then put the bolt (G) in the wood leg and tighten them.

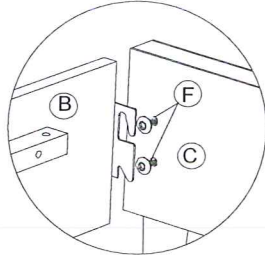


3- ATTACHING SIDE RAIL TO HEADBOARD & FOOTBOARD

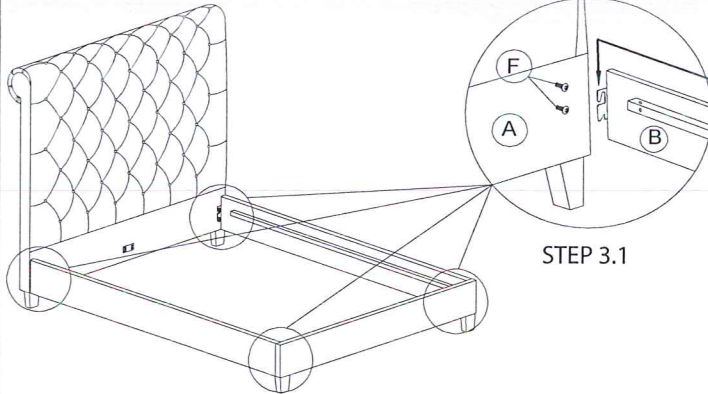
Step 3- Hook the part B to the part A & C, Proceed to tighten the bolts.



STEP 3.3

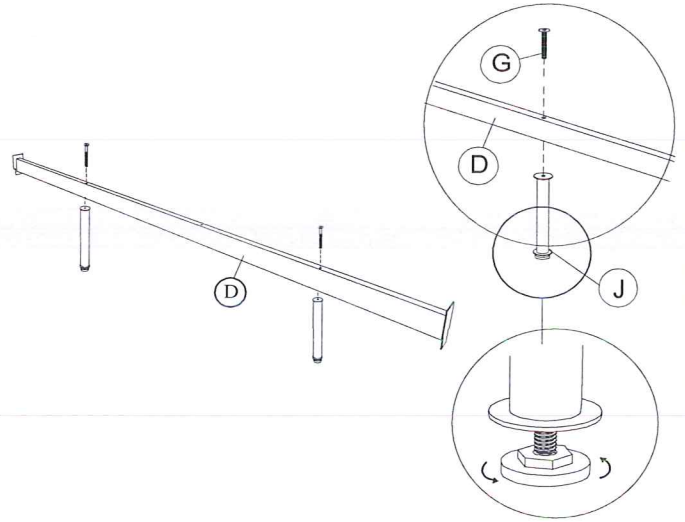


STEP 3.2



4- ATTACHING CENTER RAIL

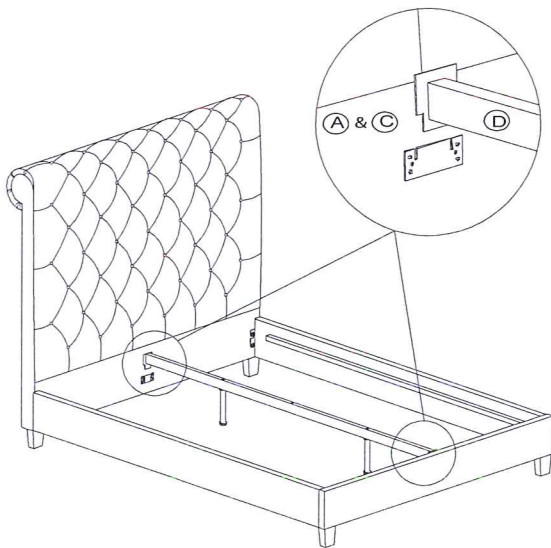
Step 4- Install the center support leg with screw provide on center rail .



Adjustable

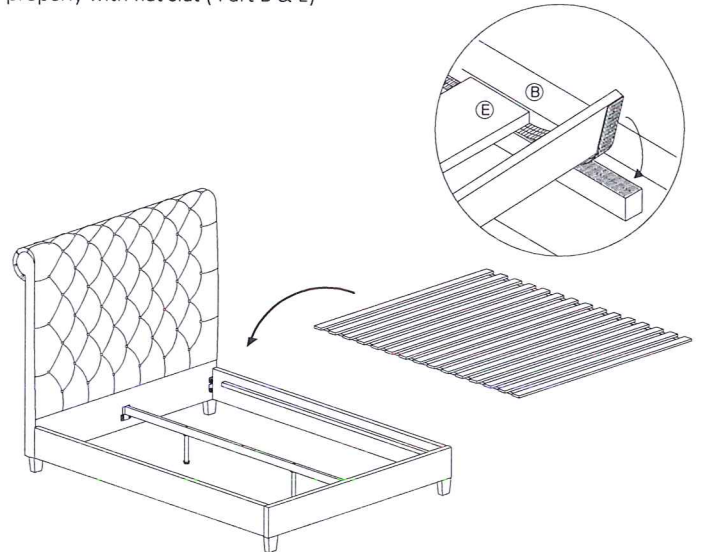
5- ATTACHING CENTER RAIL

Ensure all bolts are tighten affix center rail to headboard & footboard.

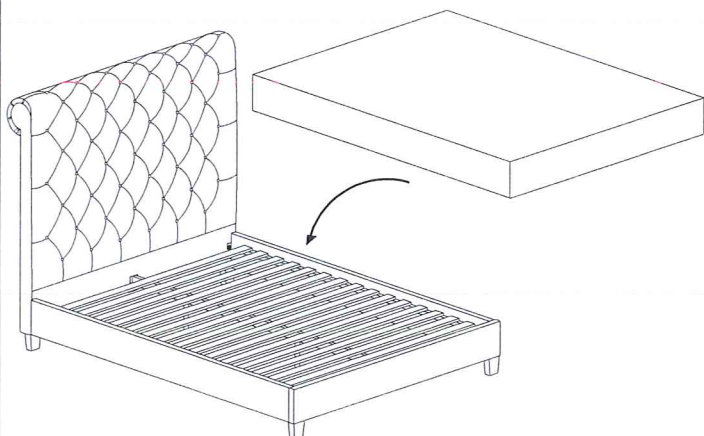


6- ATTACHING THE SLAT TO THE BASE SUPPORT

Ensure the velcro hooks & loops on both side rail are firmly attached properly with flat slat (Part B & E)



7- PUT MATTRESS ON THE BED



8- ASSEMBLY COMPLETE

