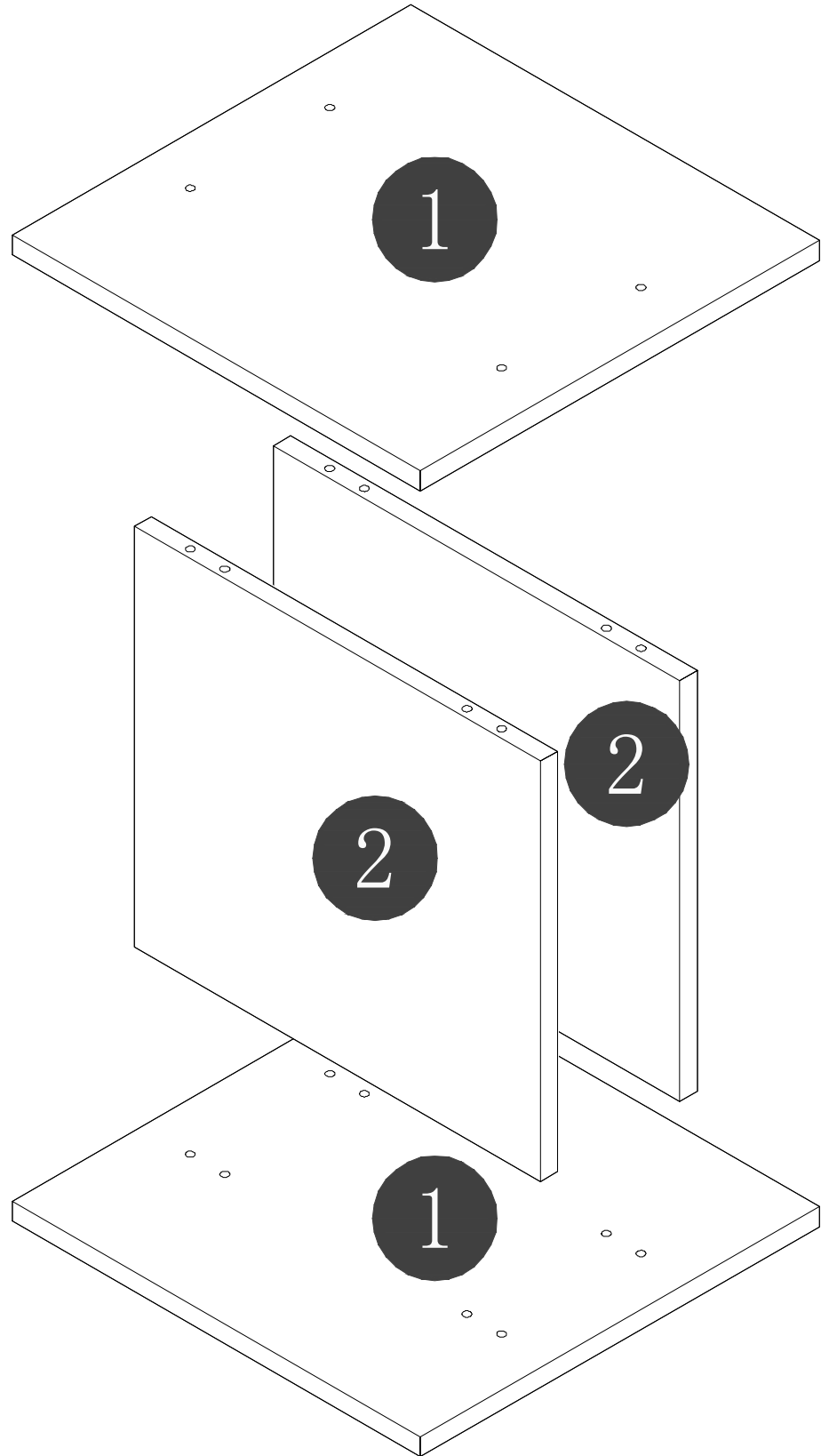
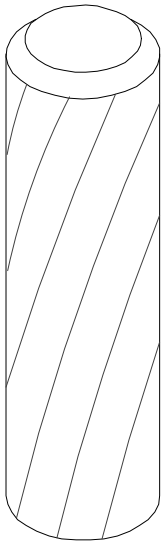


Panel No	Panel Sizes	Quantity
1	369*378*16	2
2	337*376*16	2

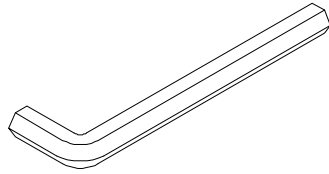


# Fittings



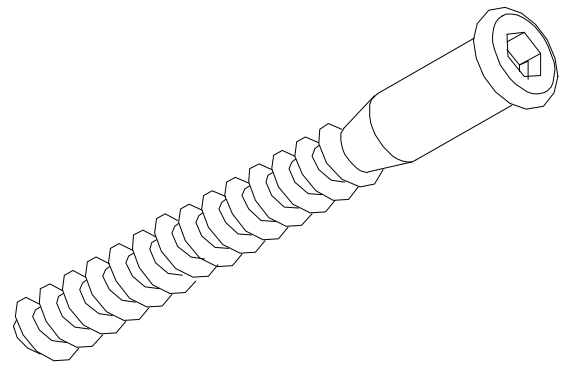
$\Phi 8*30$

$B=8$



M4

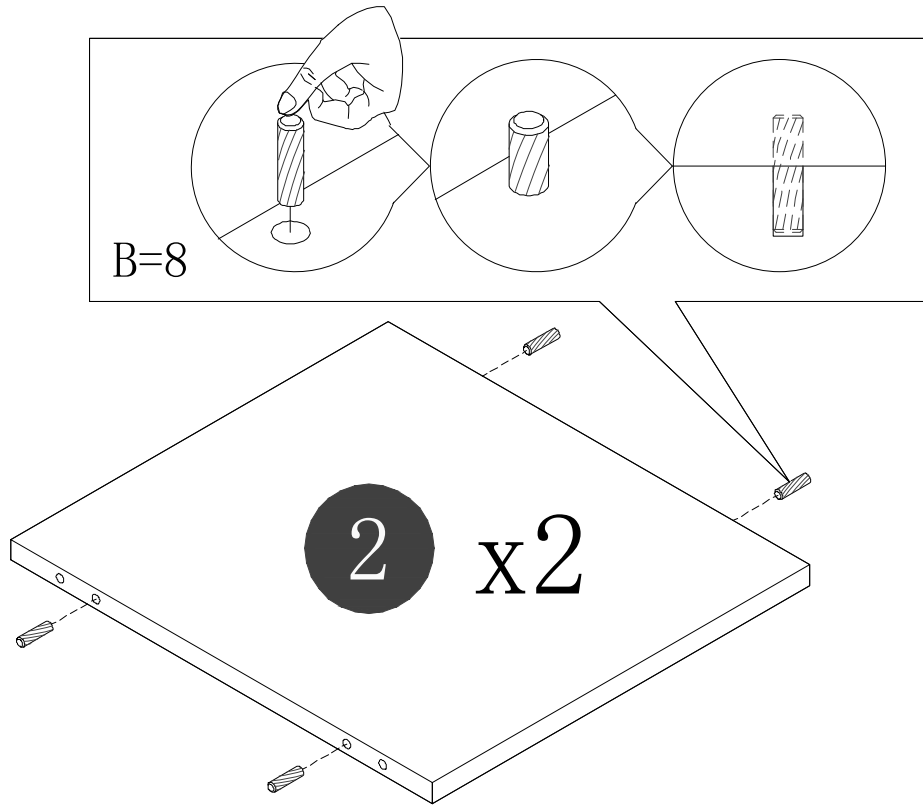
$H=1$



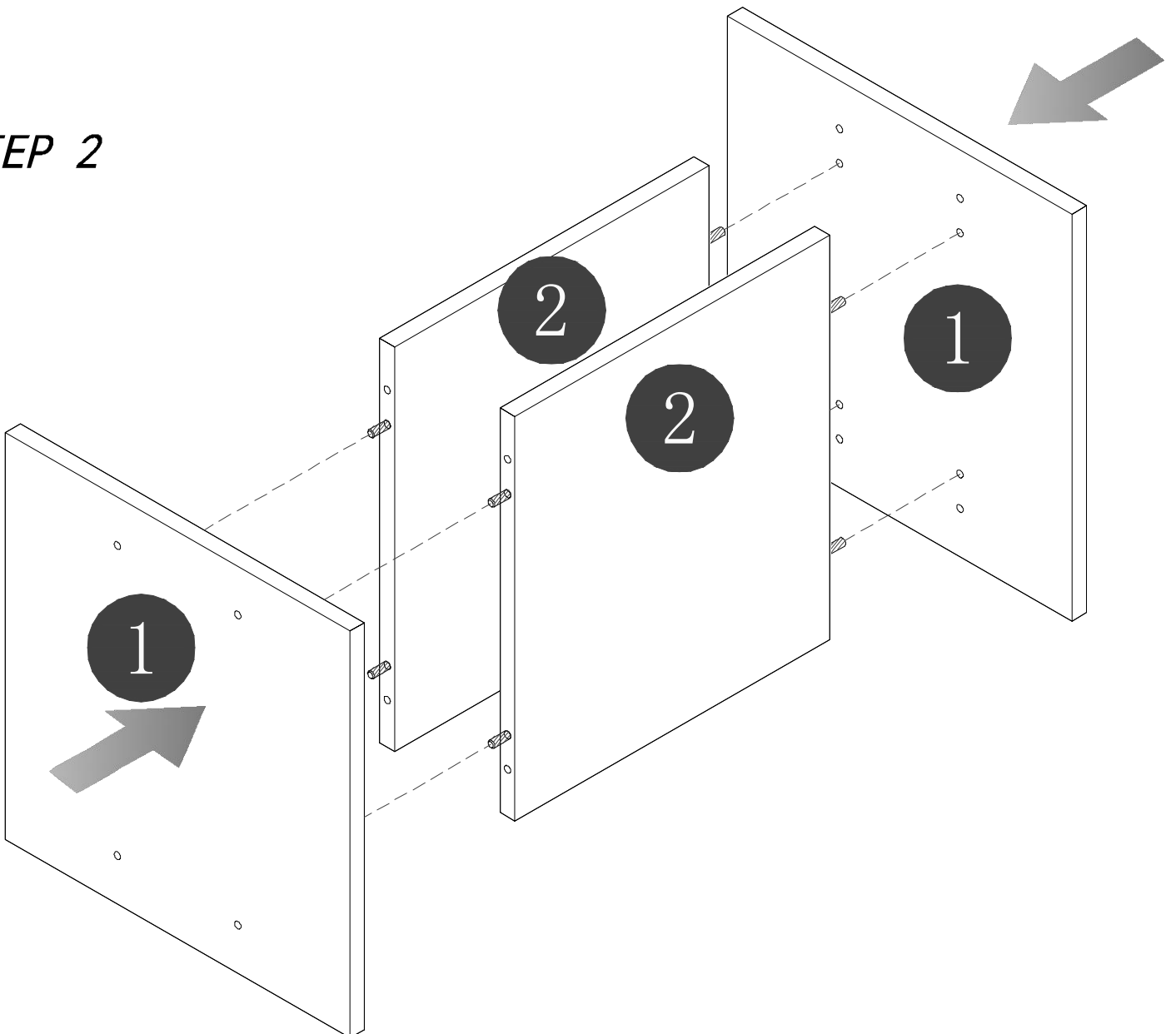
$\Phi 7*50$

$Q=8$

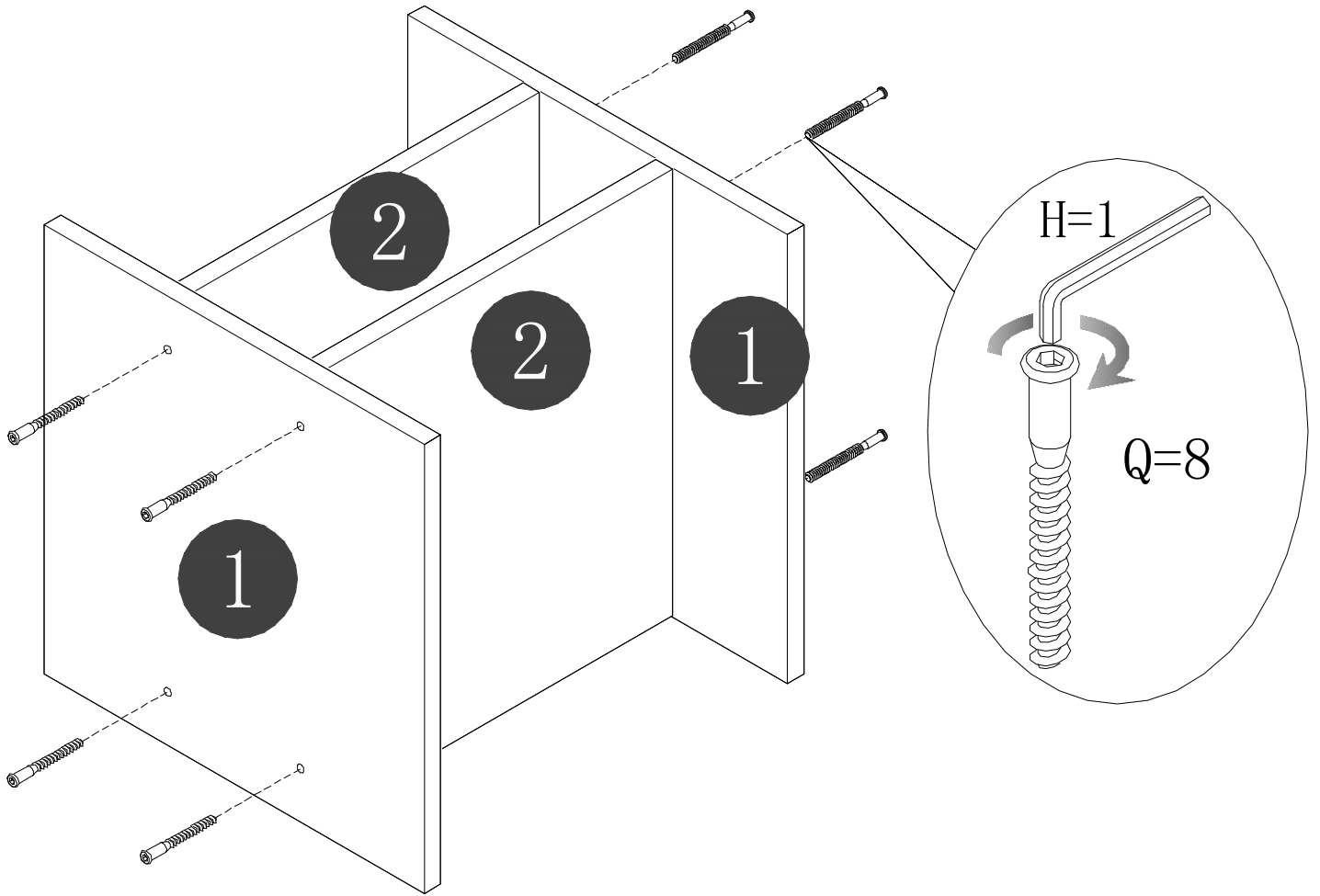
# STEP 1



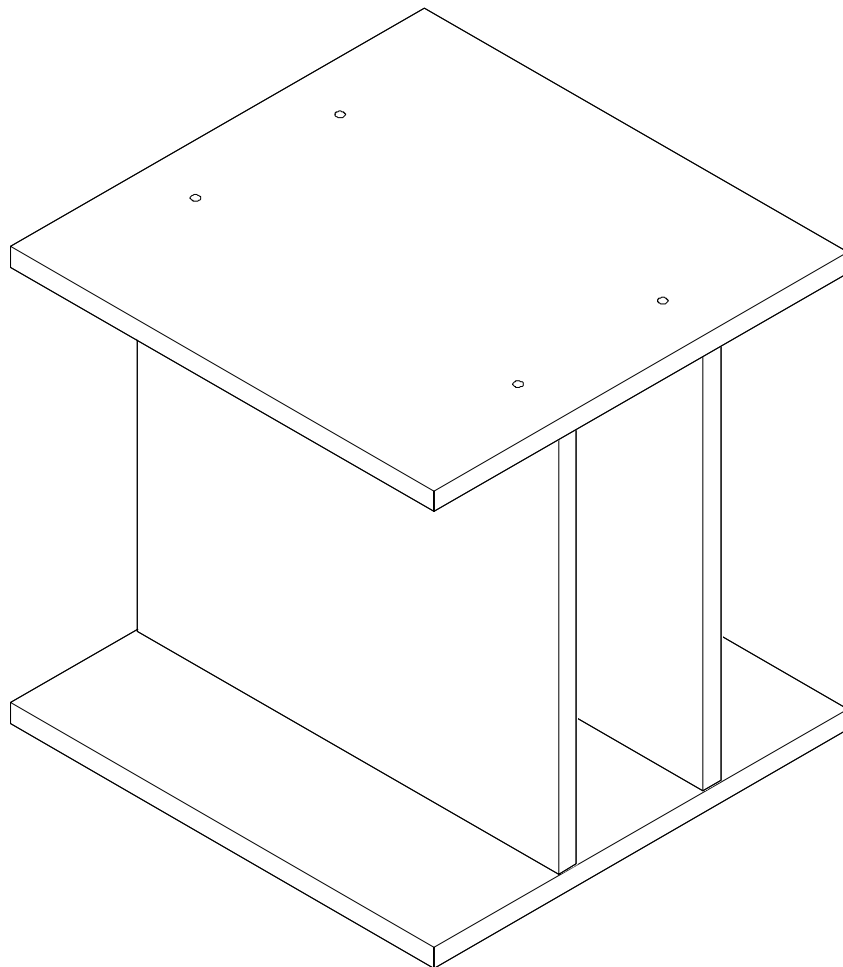
# STEP 2



### STEP 3



### STEP 4



*Finish*

