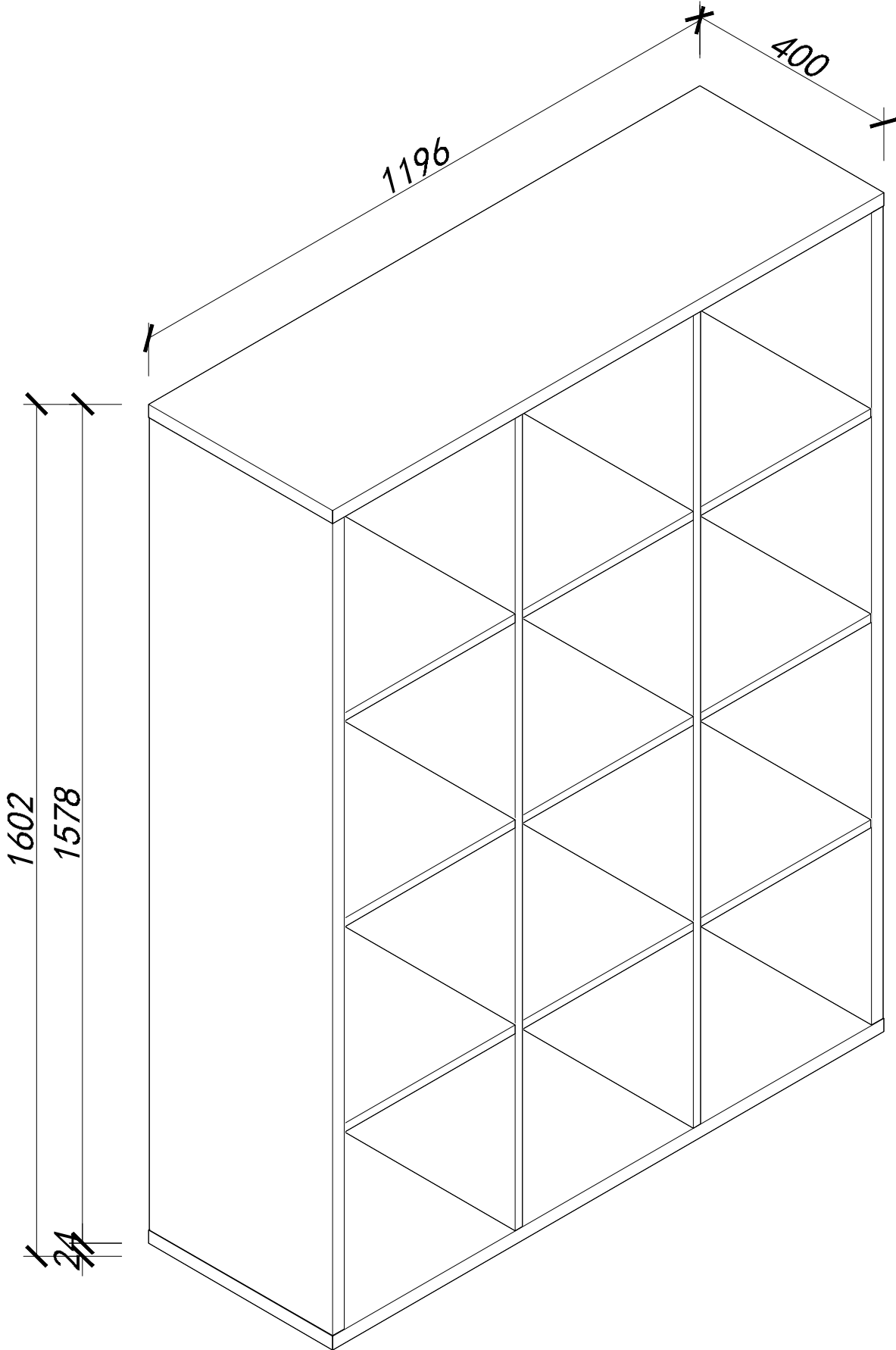
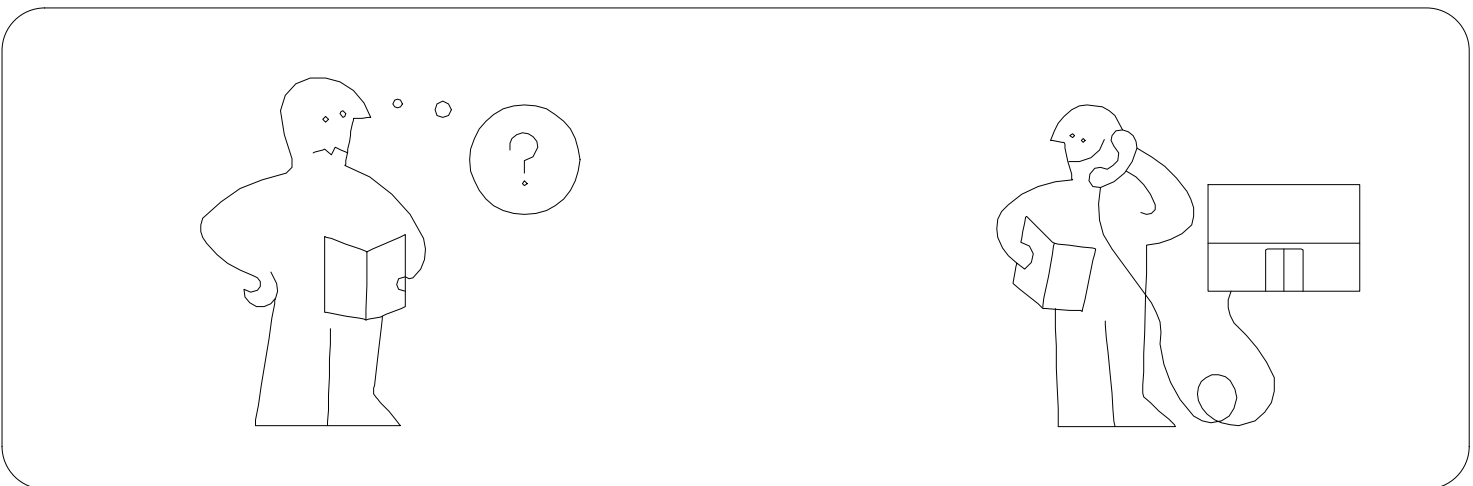
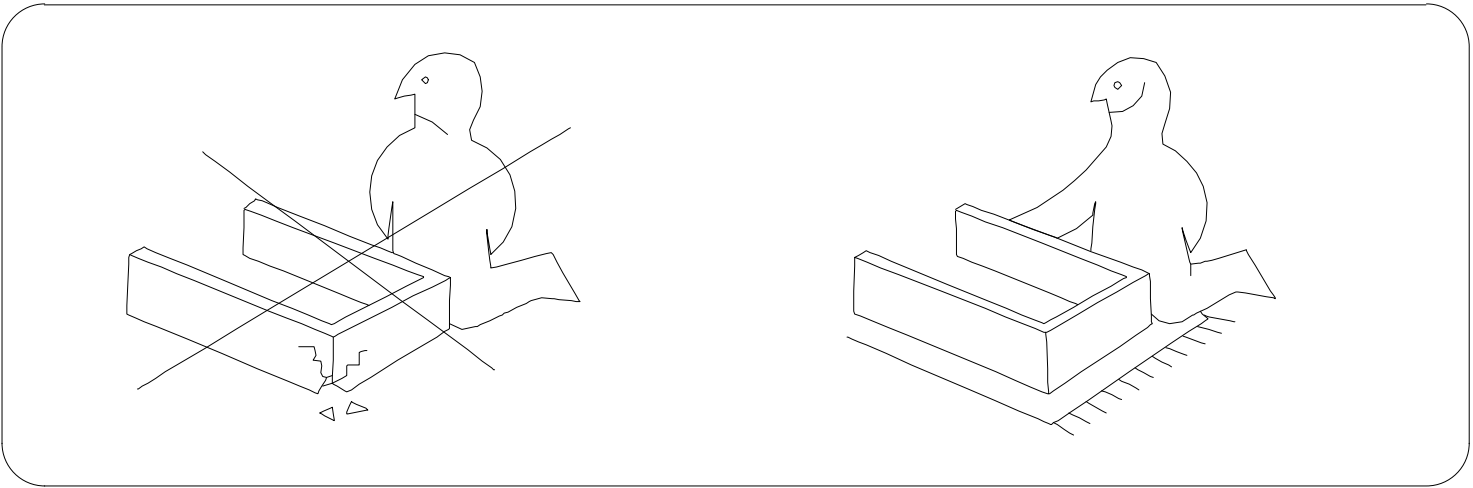
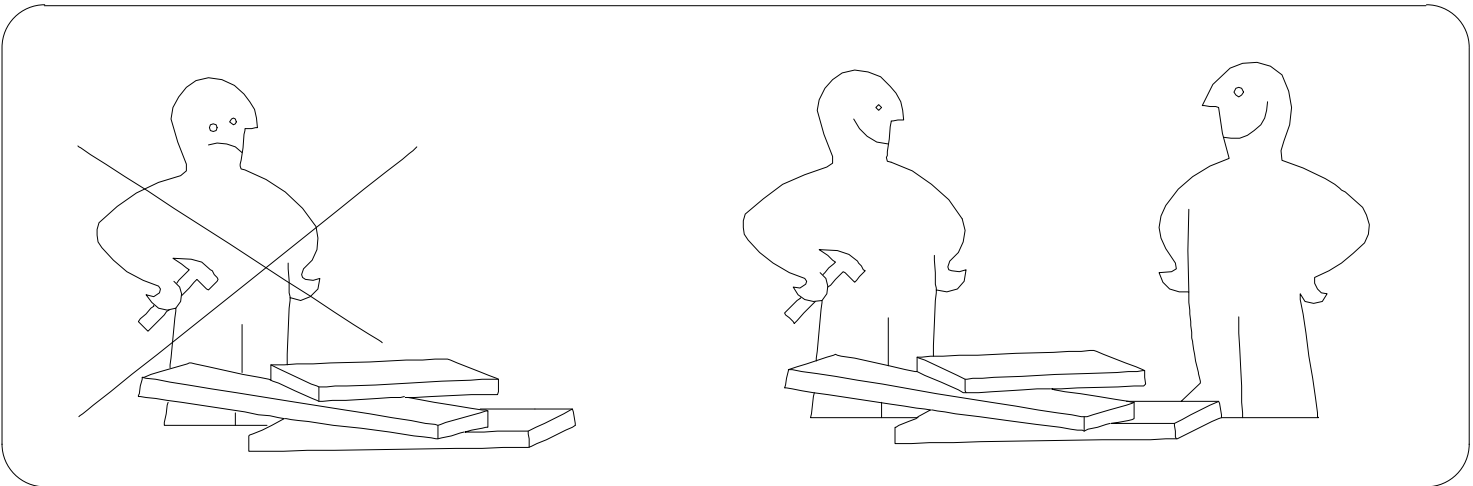
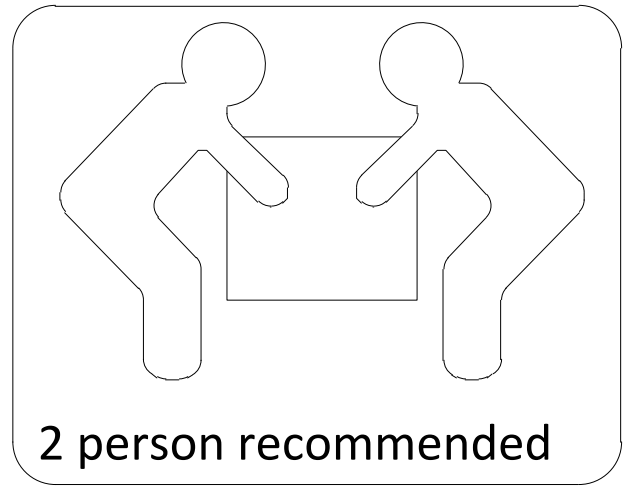
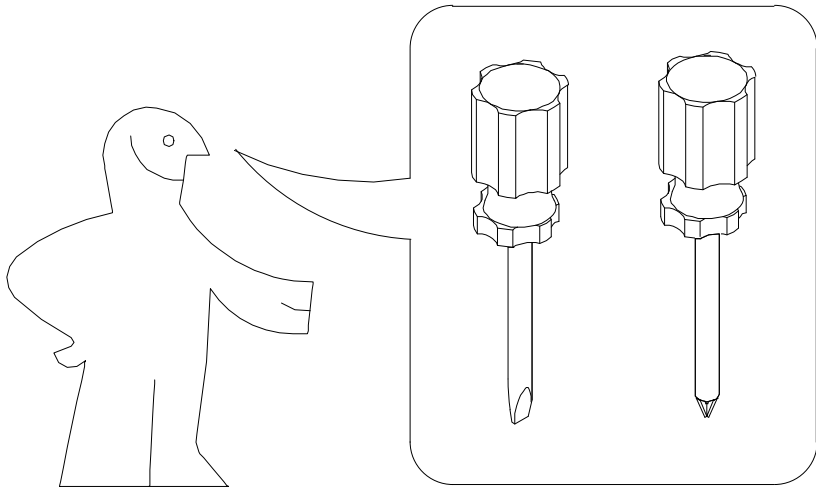


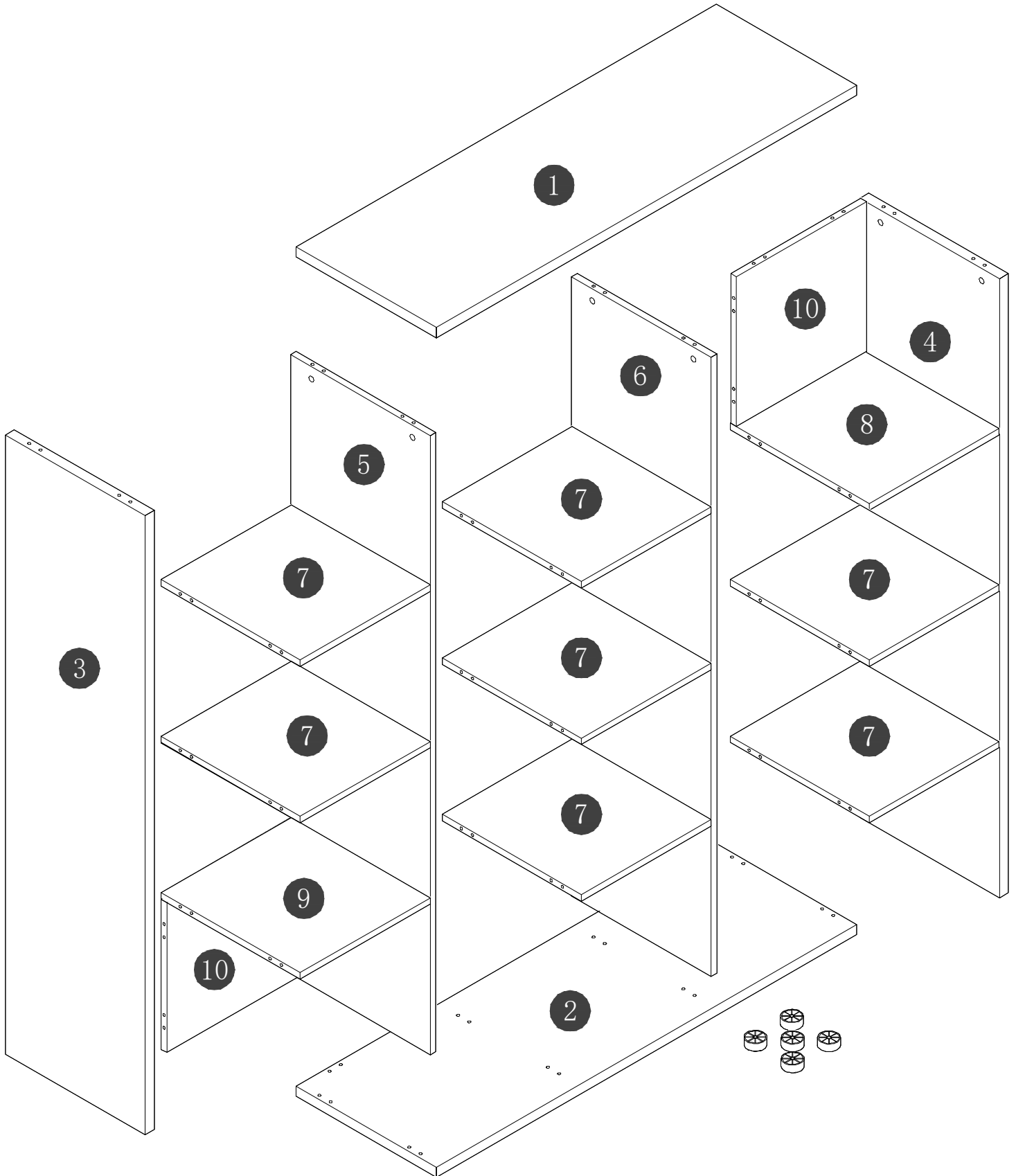
Assembly Instruction





Panel No	Panel Sizes	Quantity
1	1196*400*25	1
2	1196*400*25	1
3	1528*398*25	1
4	1528*398*25	1
5	1528*398*16	1

Panel No	Panel Sizes	Quantity
6	1528*398*16	1
7	370*396*16	7
8	370*396*16	1
9	370*396*16	1
10	370*370*16	2

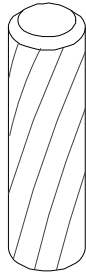


Fittings



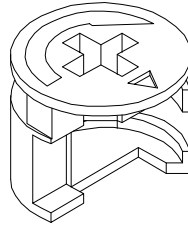
M6*40

A=60



Φ 8*30

B=68



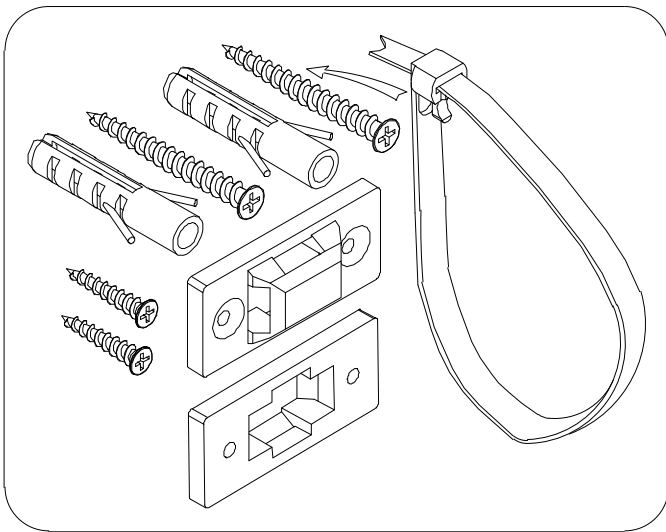
Φ 15*12

C=60



Φ 21

D=60

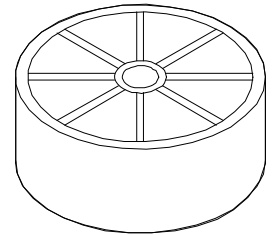


F=1



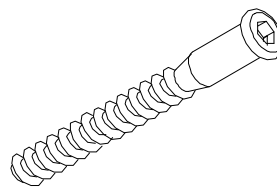
M4

H=1



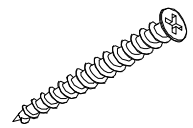
Φ 51*24

J=5



Φ 7*50

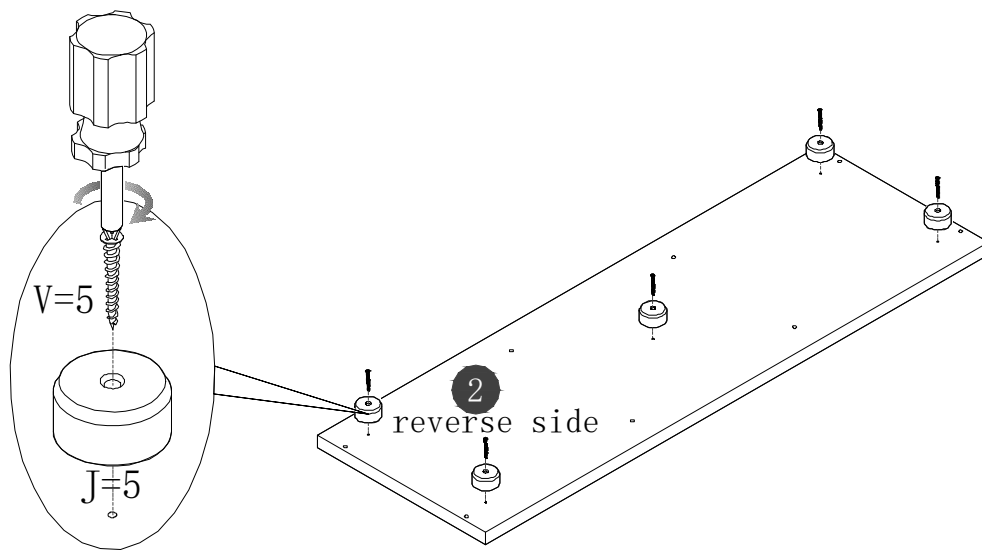
Q=8



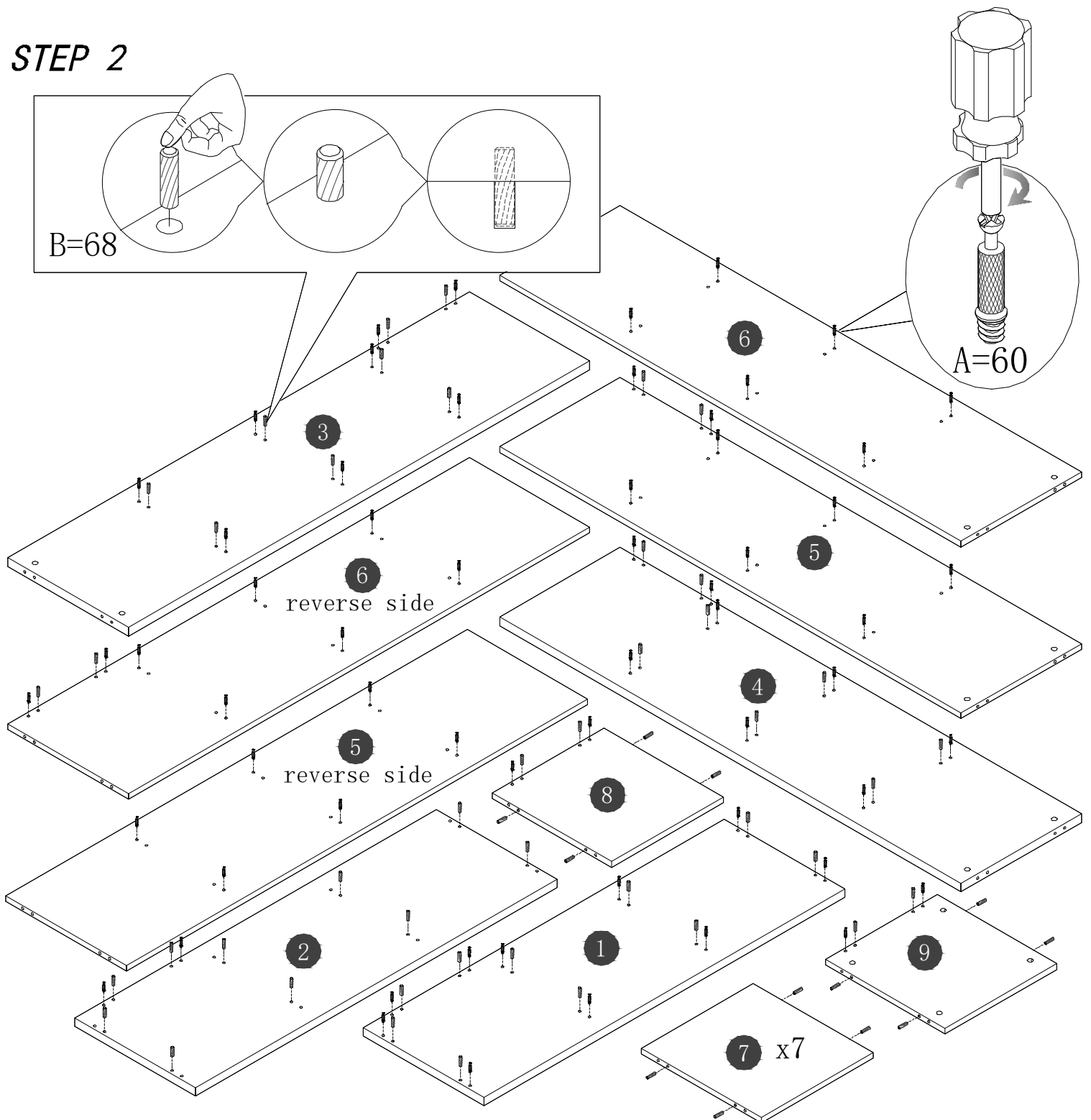
M4*35

V=5

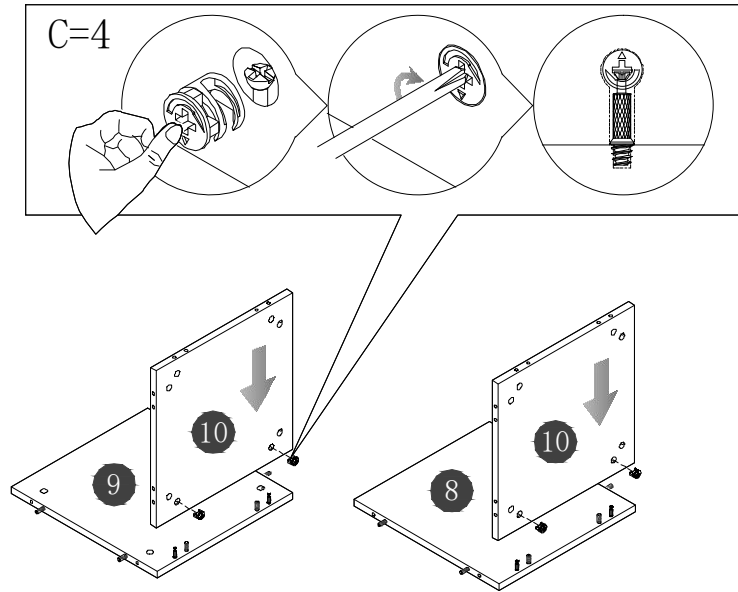
STEP 1



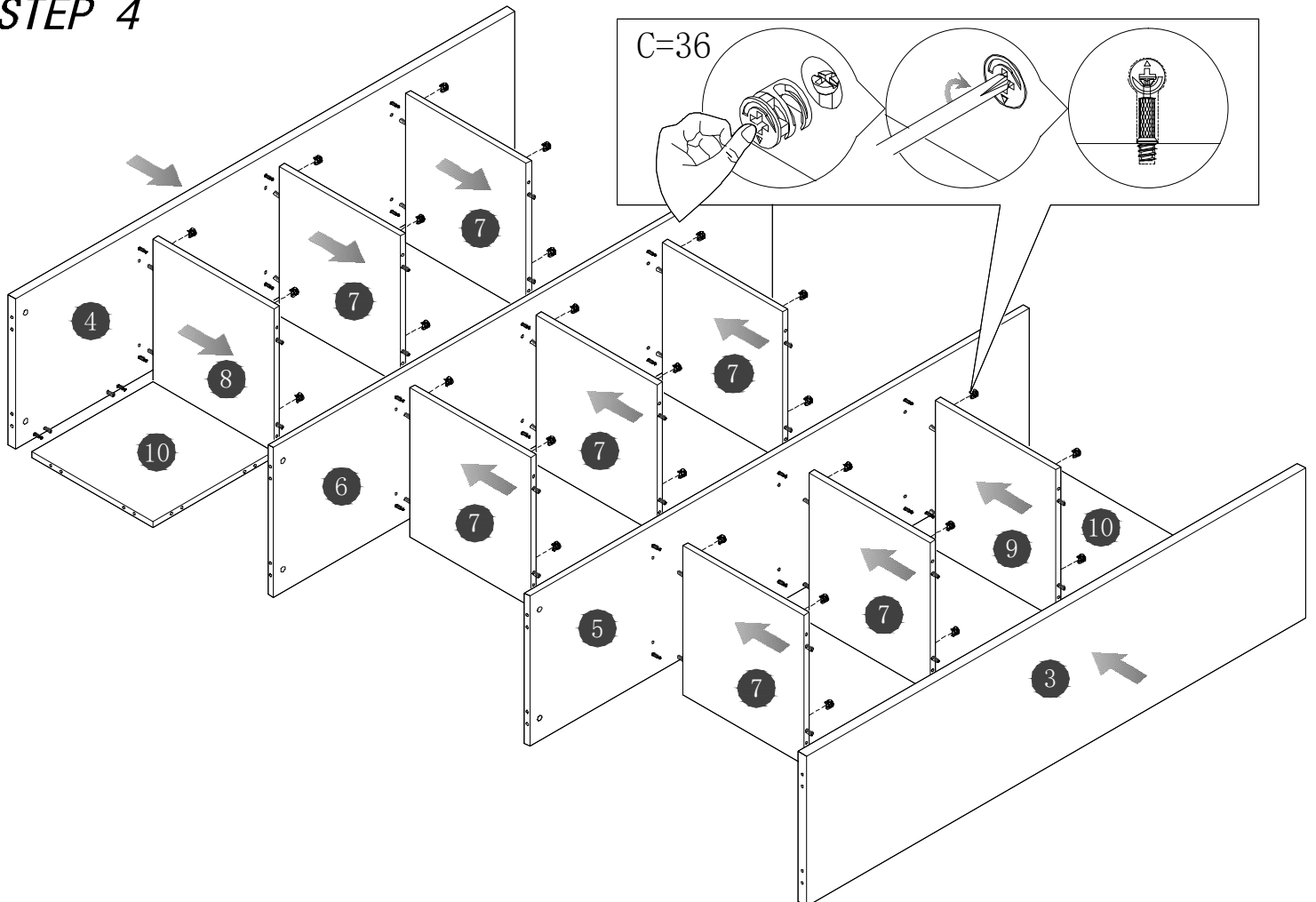
STEP 2



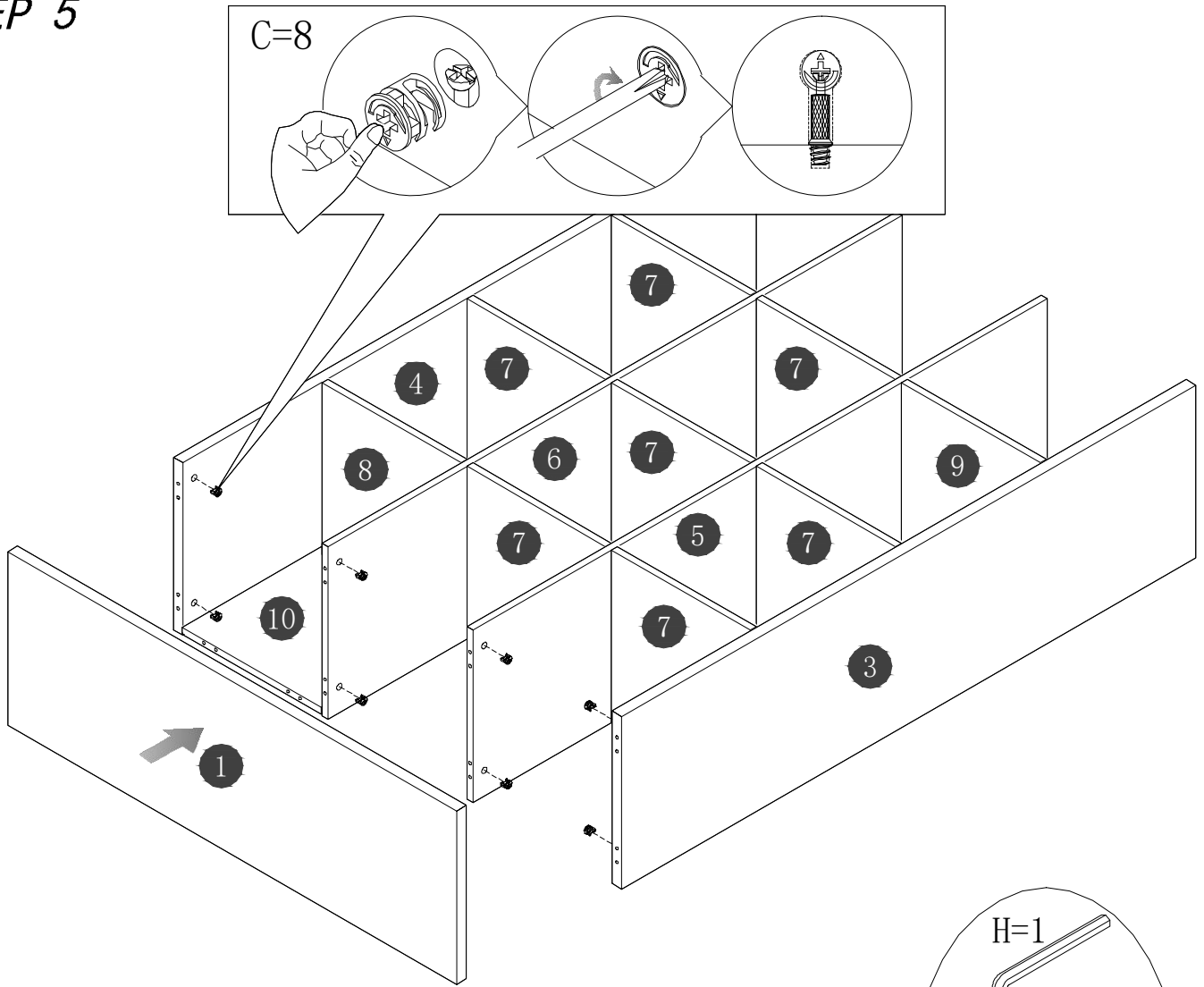
STEP 3



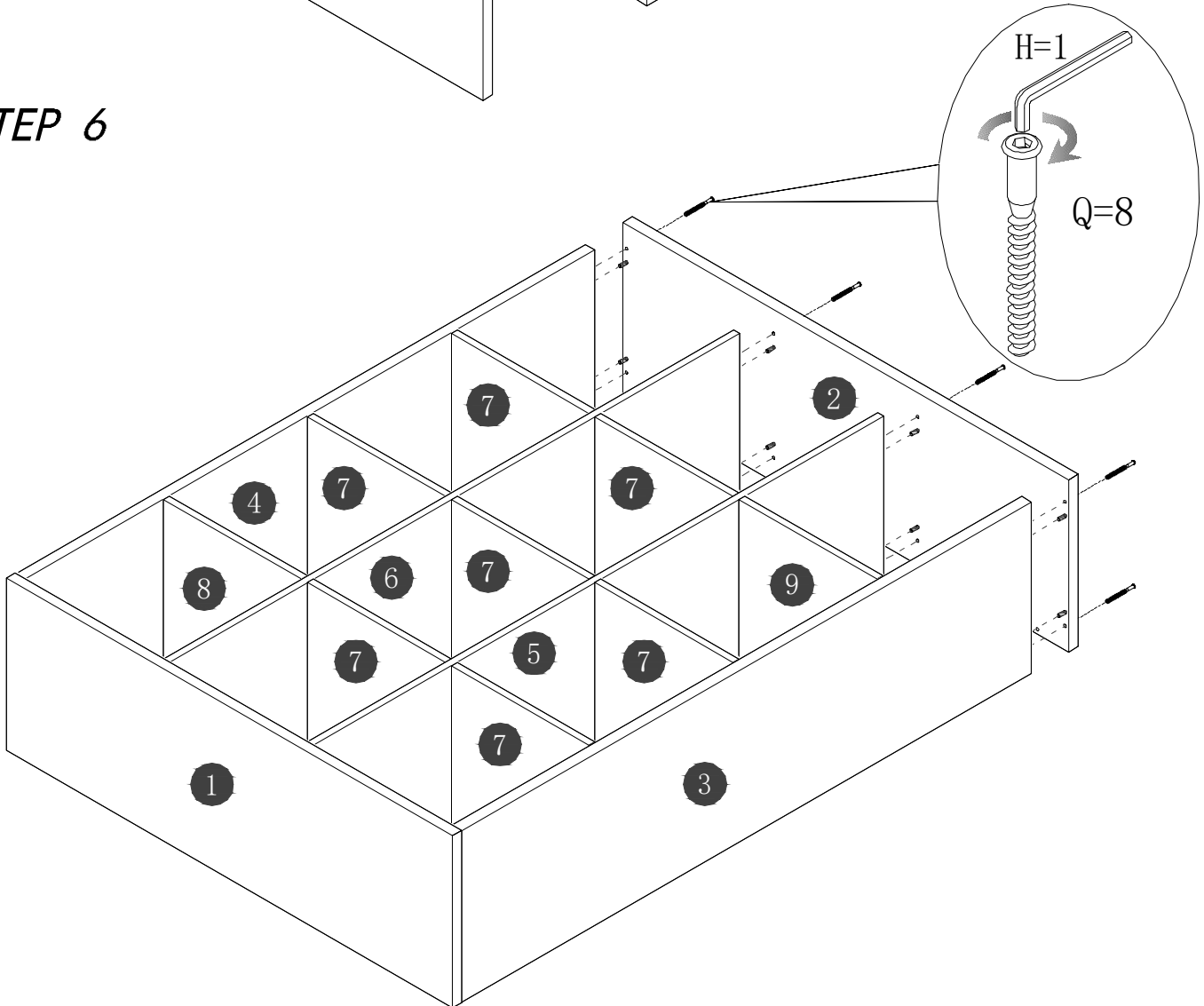
STEP 4



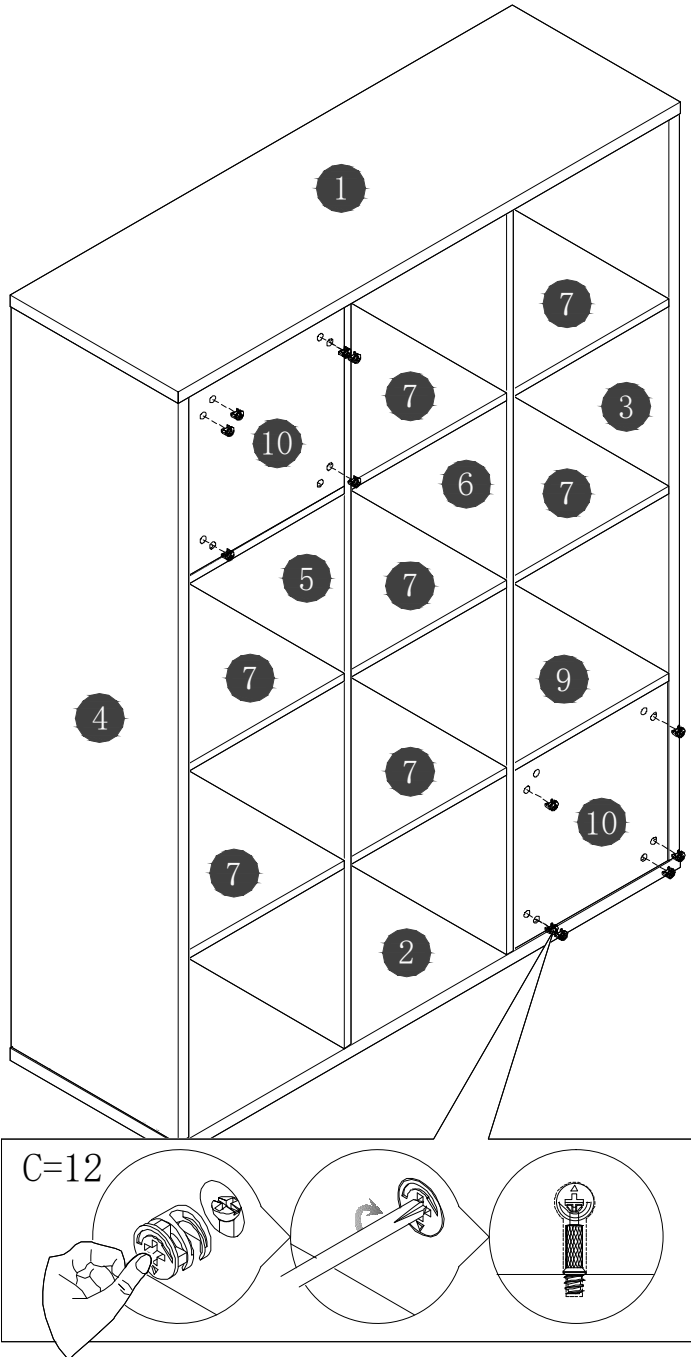
STEP 5



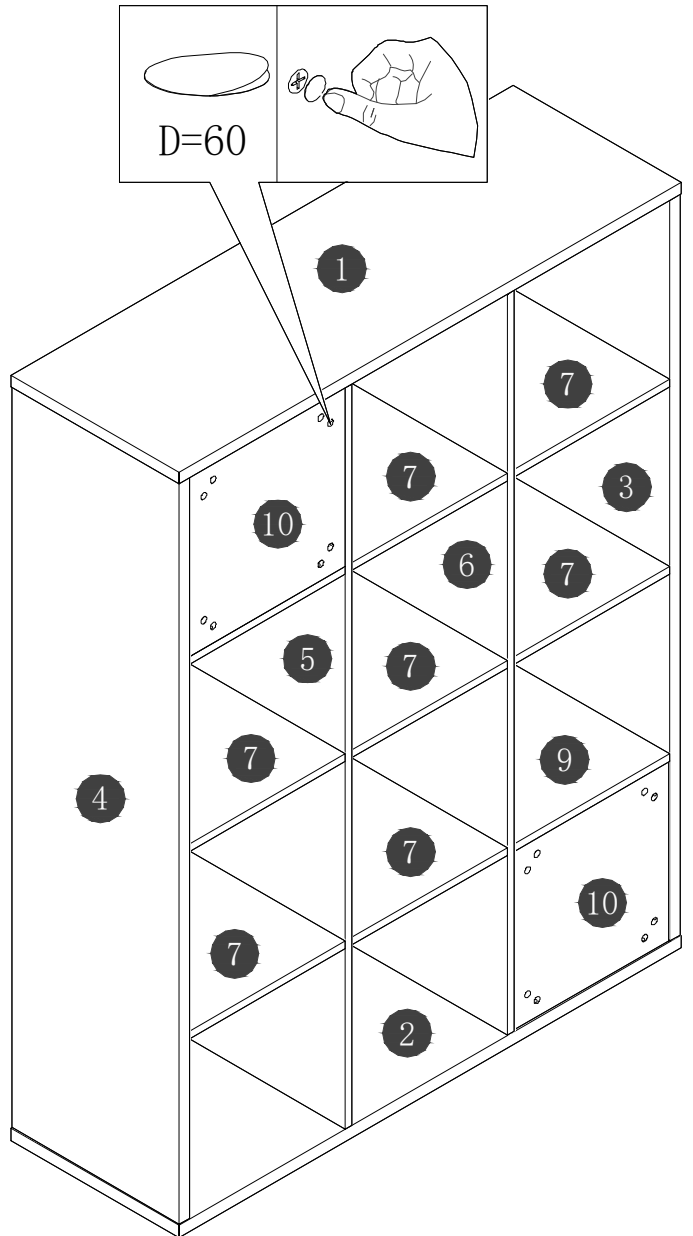
STEP 6



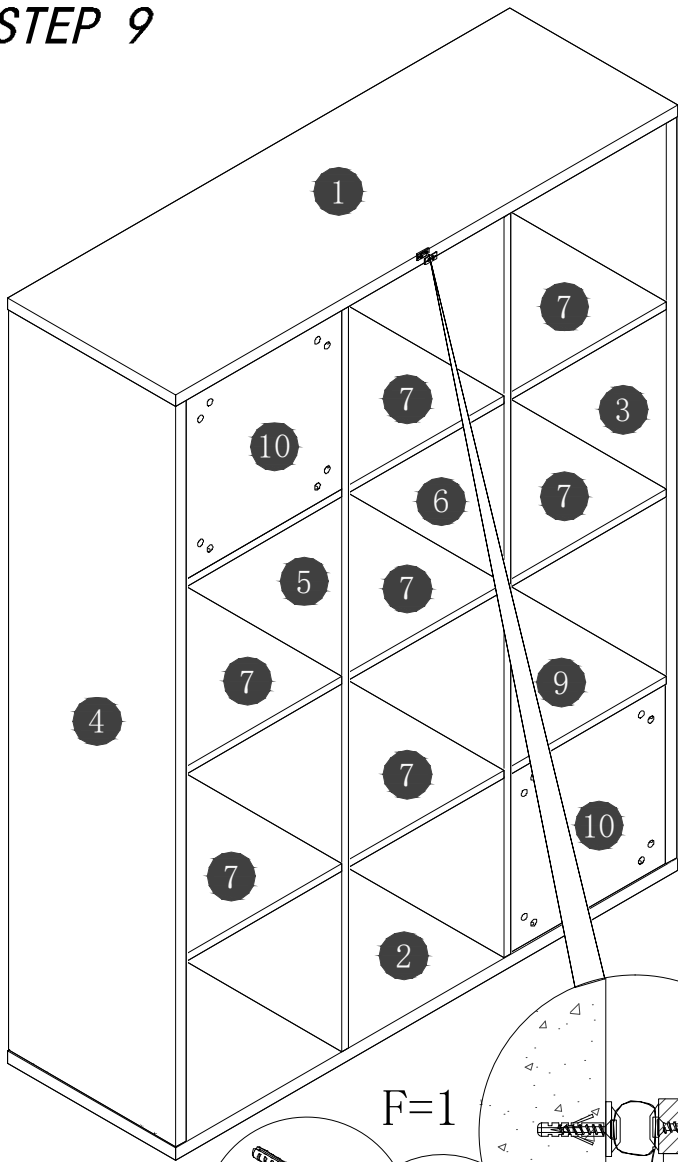
STEP 7



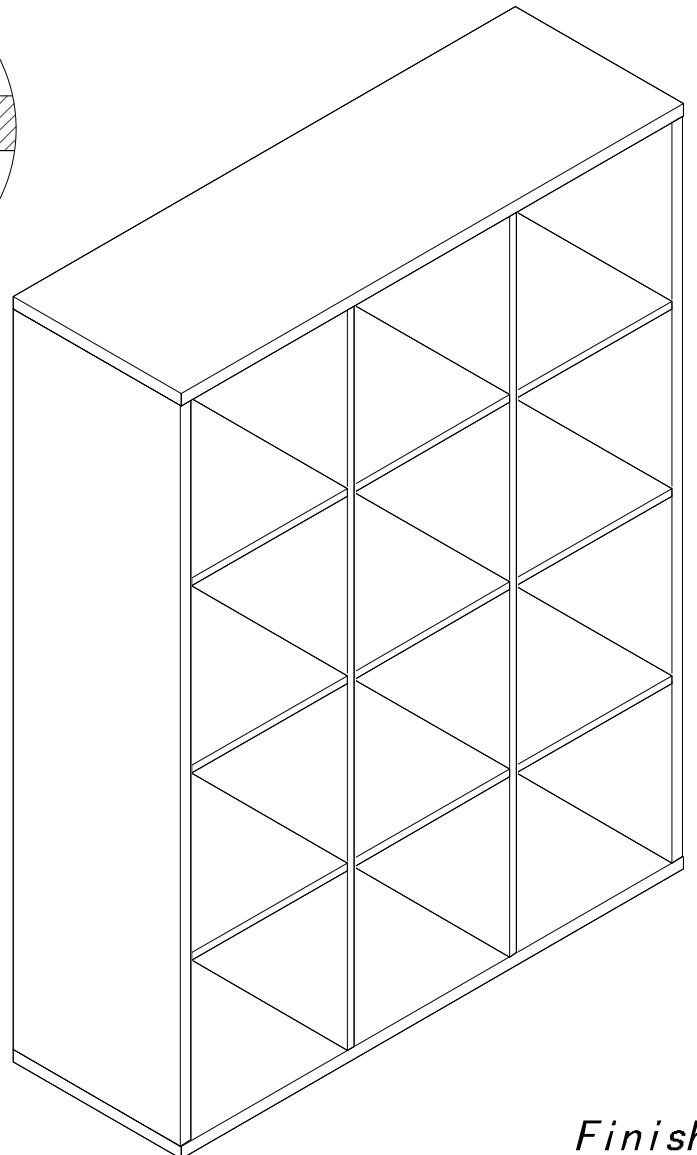
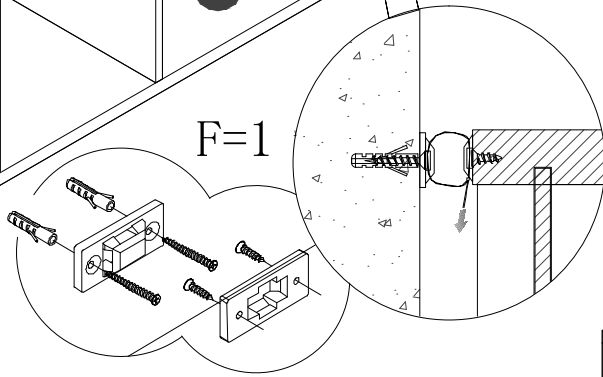
STEP 8



STEP 9



STEP 10



Finish