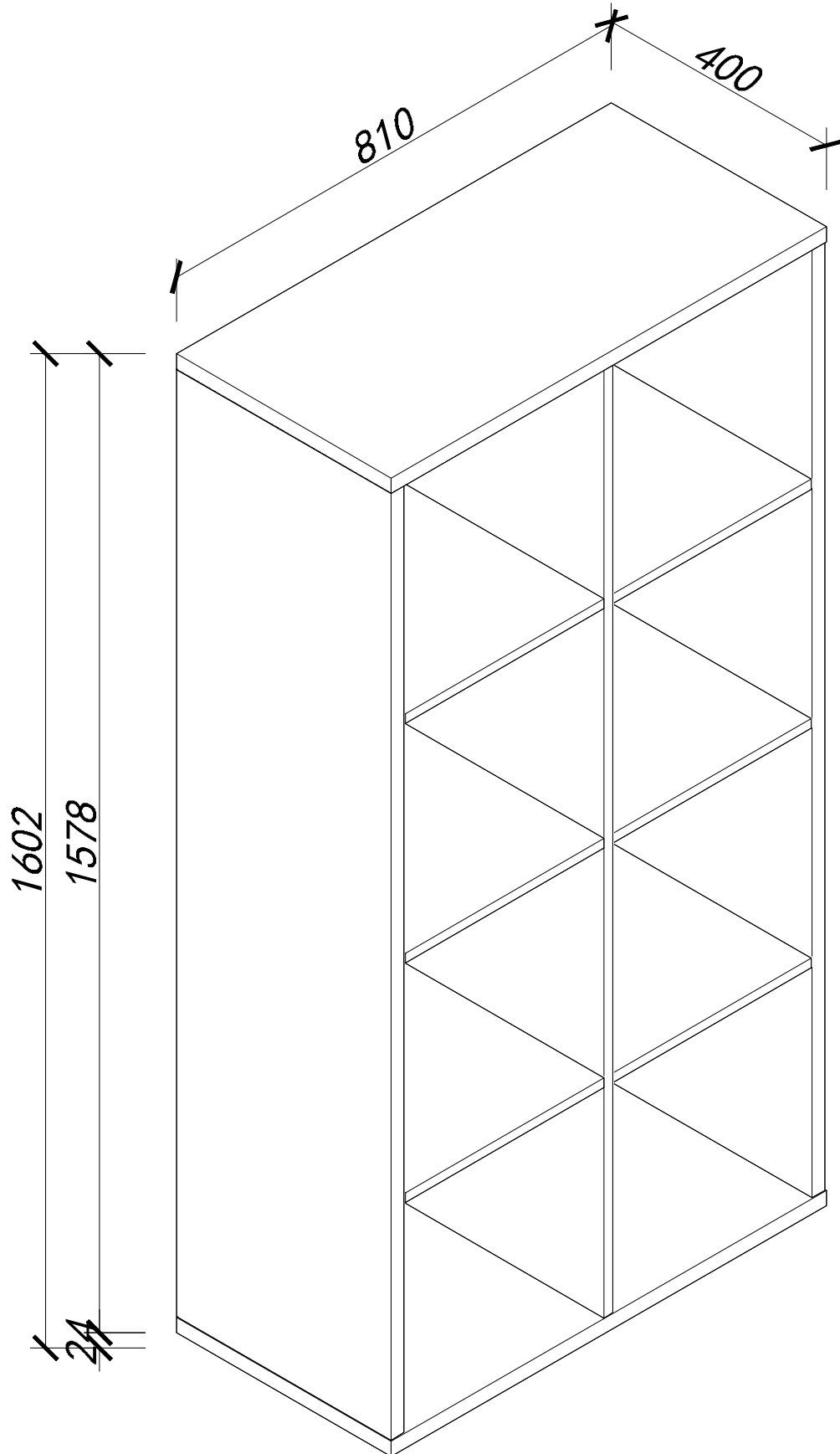
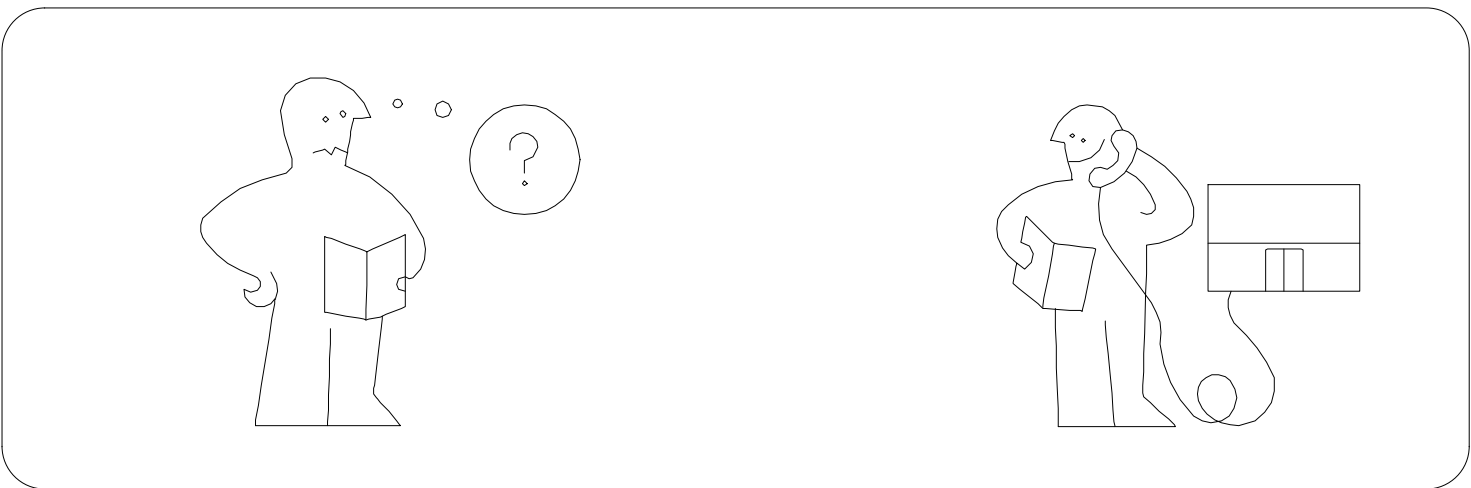
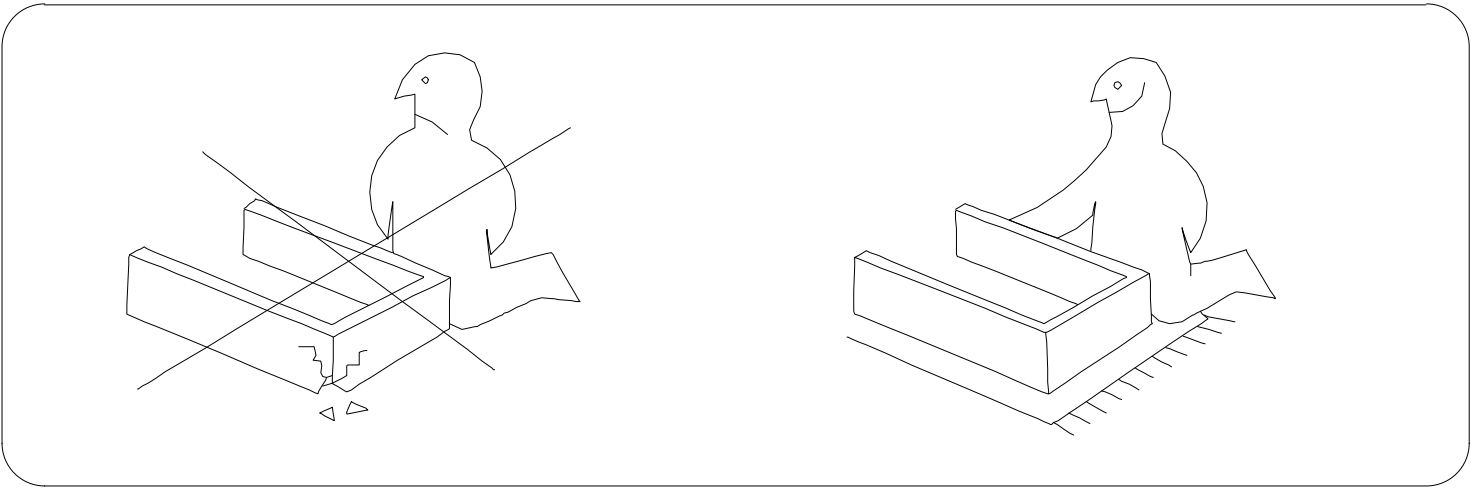
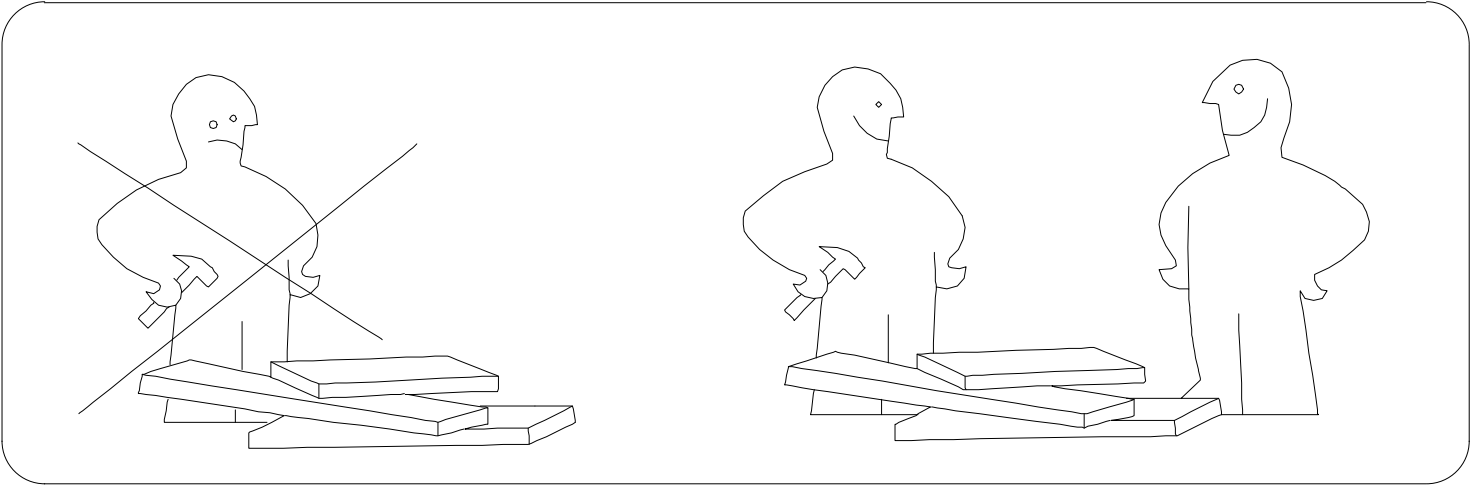
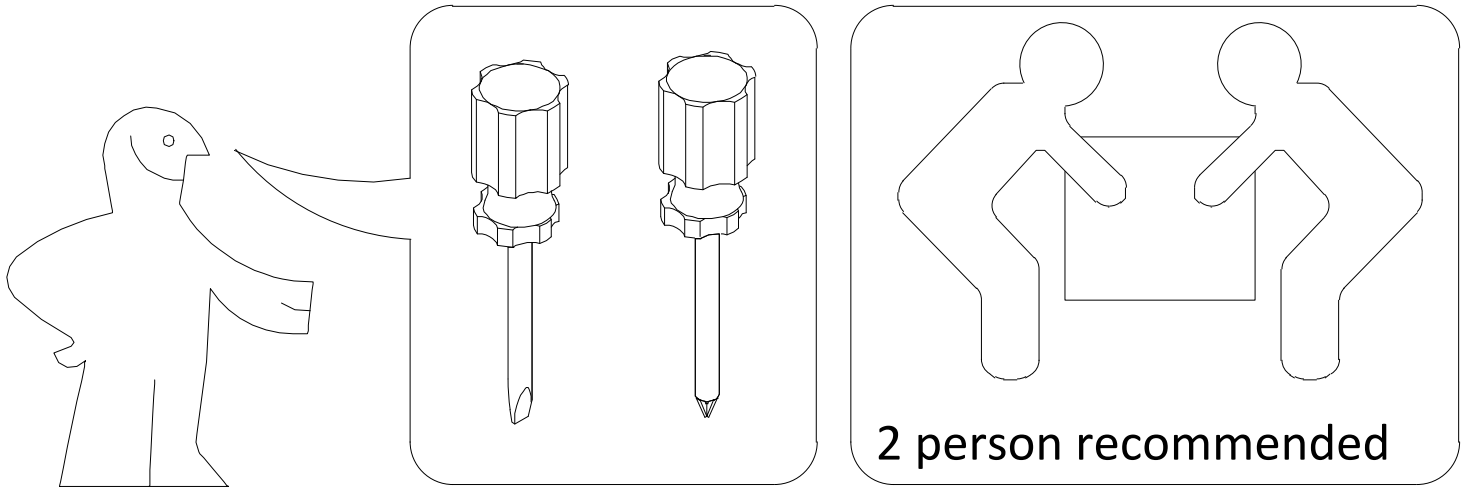


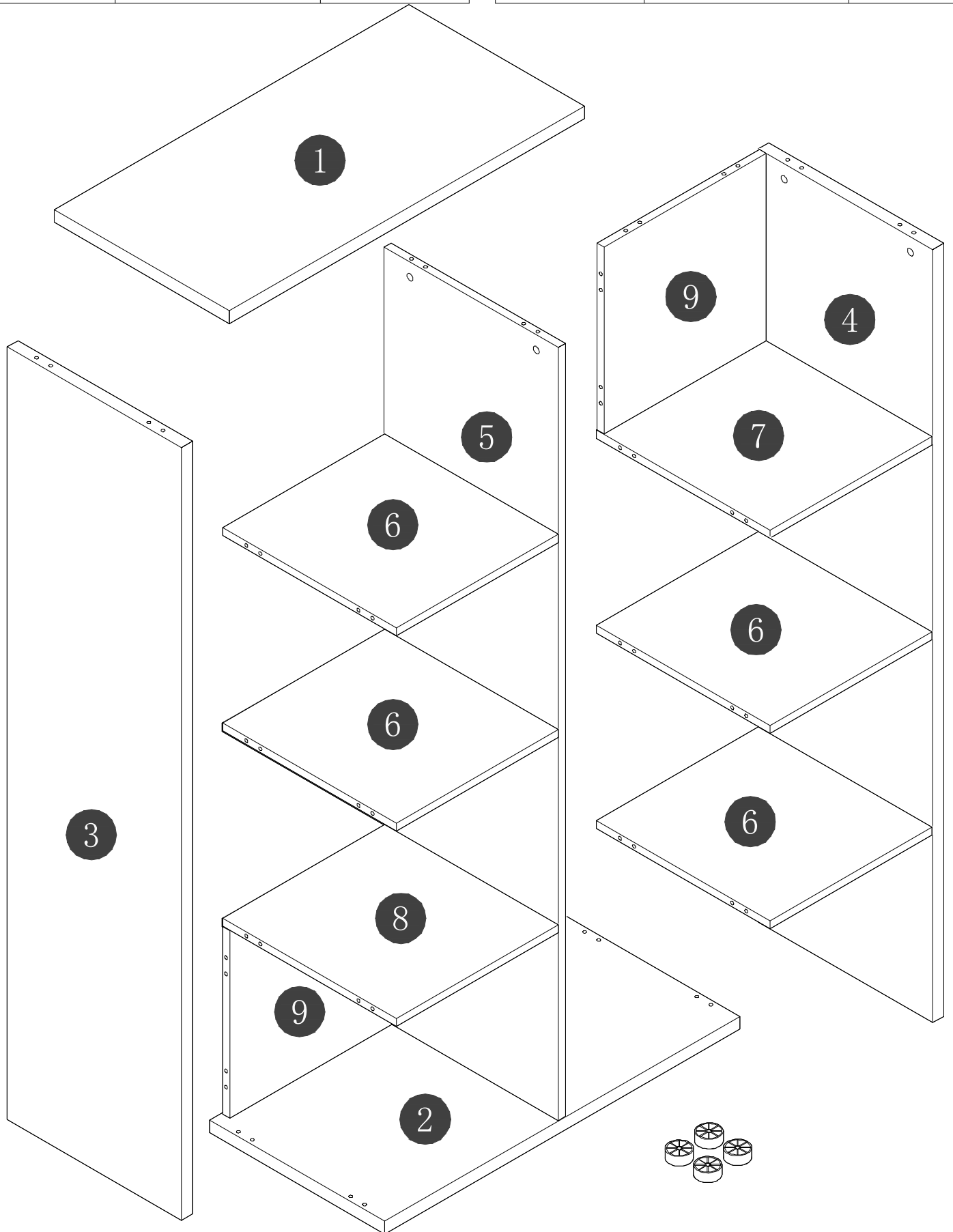
Assembly Instruction





| Panel No | Panel Sizes | Quantity |
|----------|-------------|----------|
| 1 | 810*400*25 | 1 |
| 2 | 810*400*25 | 1 |
| 3 | 1528*398*25 | 1 |
| 4 | 1528*398*25 | 1 |
| 5 | 1528*398*16 | 1 |

| Panel No | Panel Sizes | Quantity |
|----------|-------------|----------|
| 6 | 370*396*16 | 4 |
| 7 | 370*396*16 | 1 |
| 8 | 370*396*16 | 1 |
| 9 | 370*370*16 | 2 |
| | | |

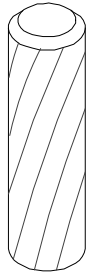


Fittings



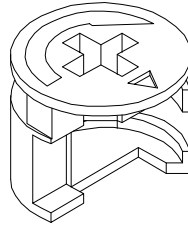
M6*40

A=46



$\Phi 8*30$

B=52



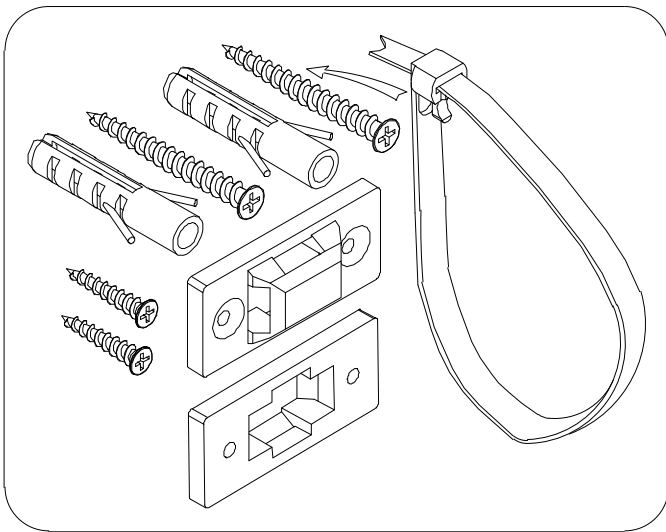
$\Phi 15*12$

C=46



$\Phi 21$

D=46

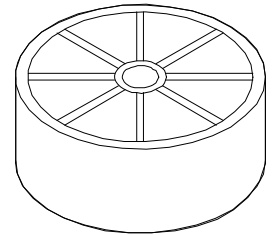


F=1



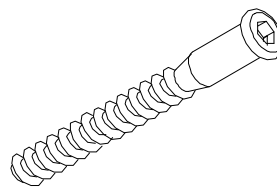
M4

H=1



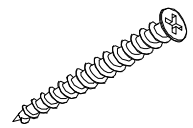
$\Phi 51*24$

J=4



$\Phi 7*50$

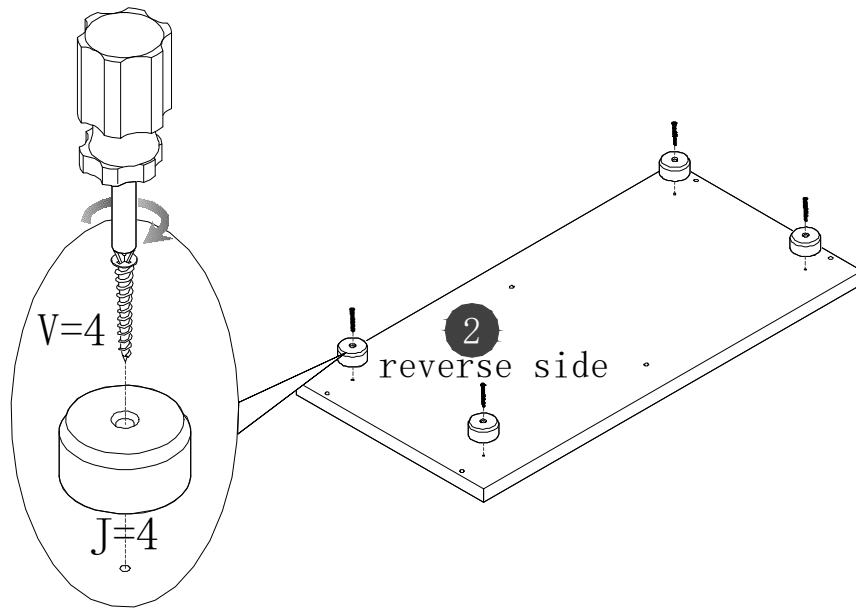
Q=6



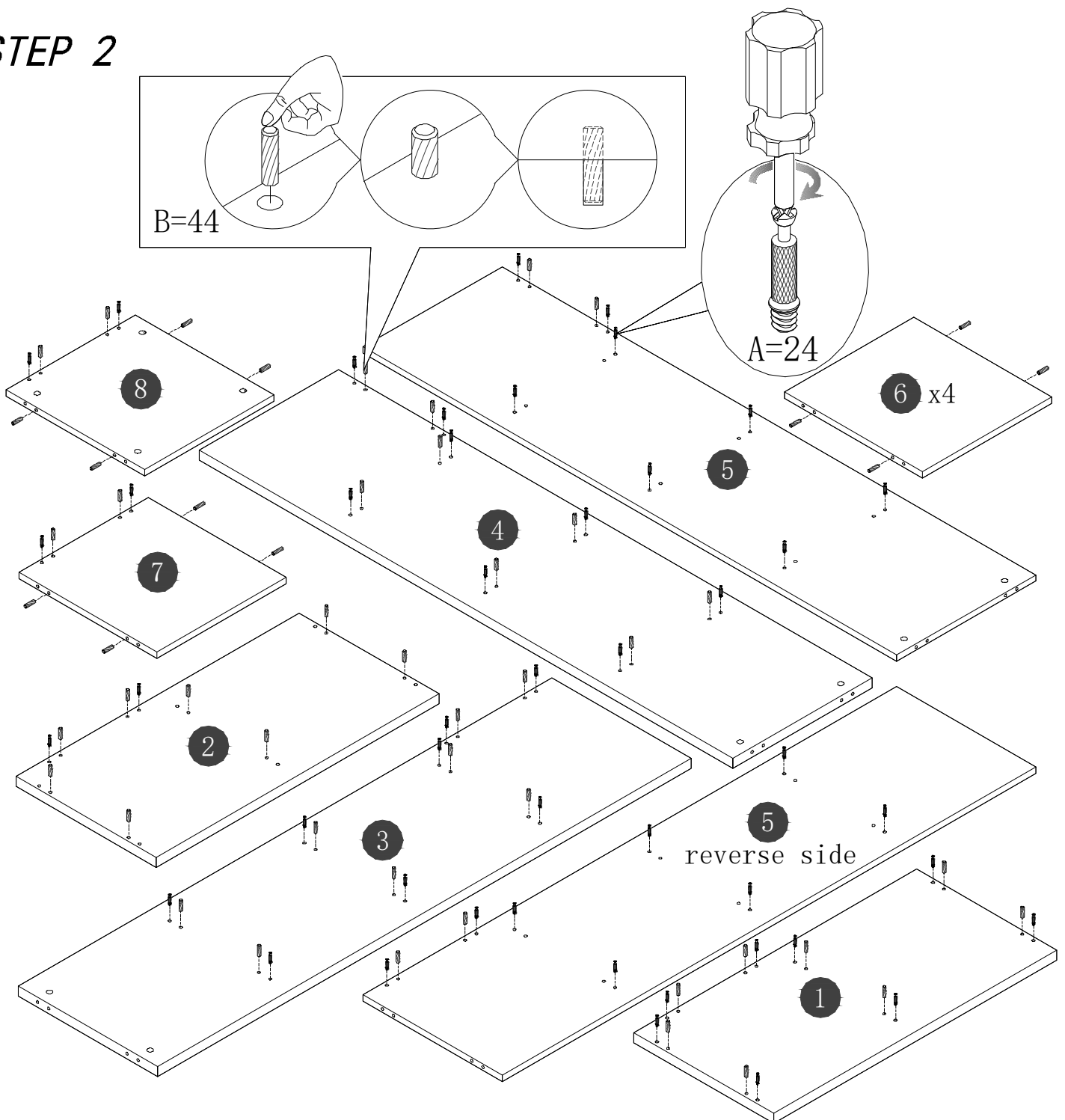
M4*35

V=4

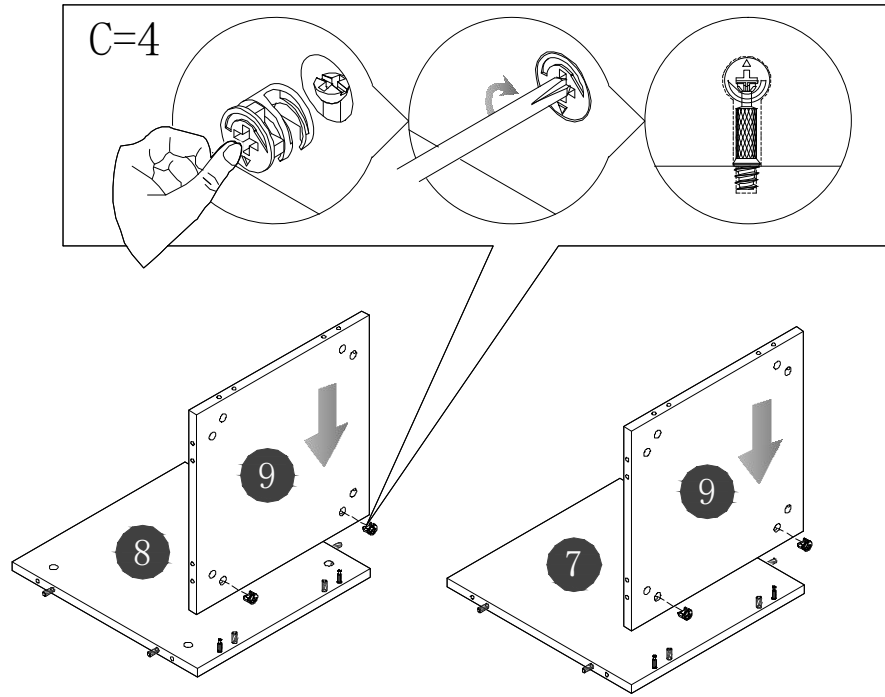
STEP 1



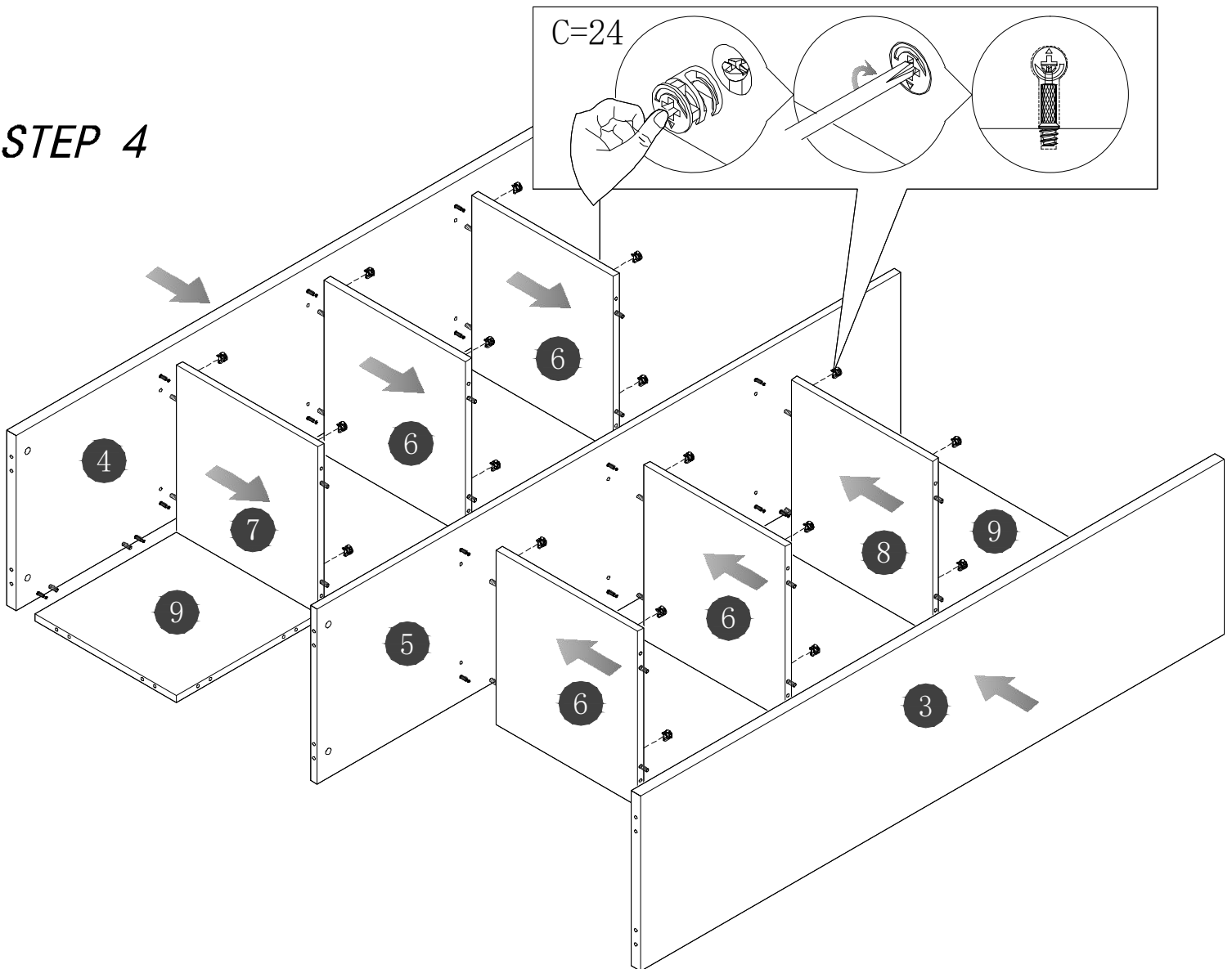
STEP 2



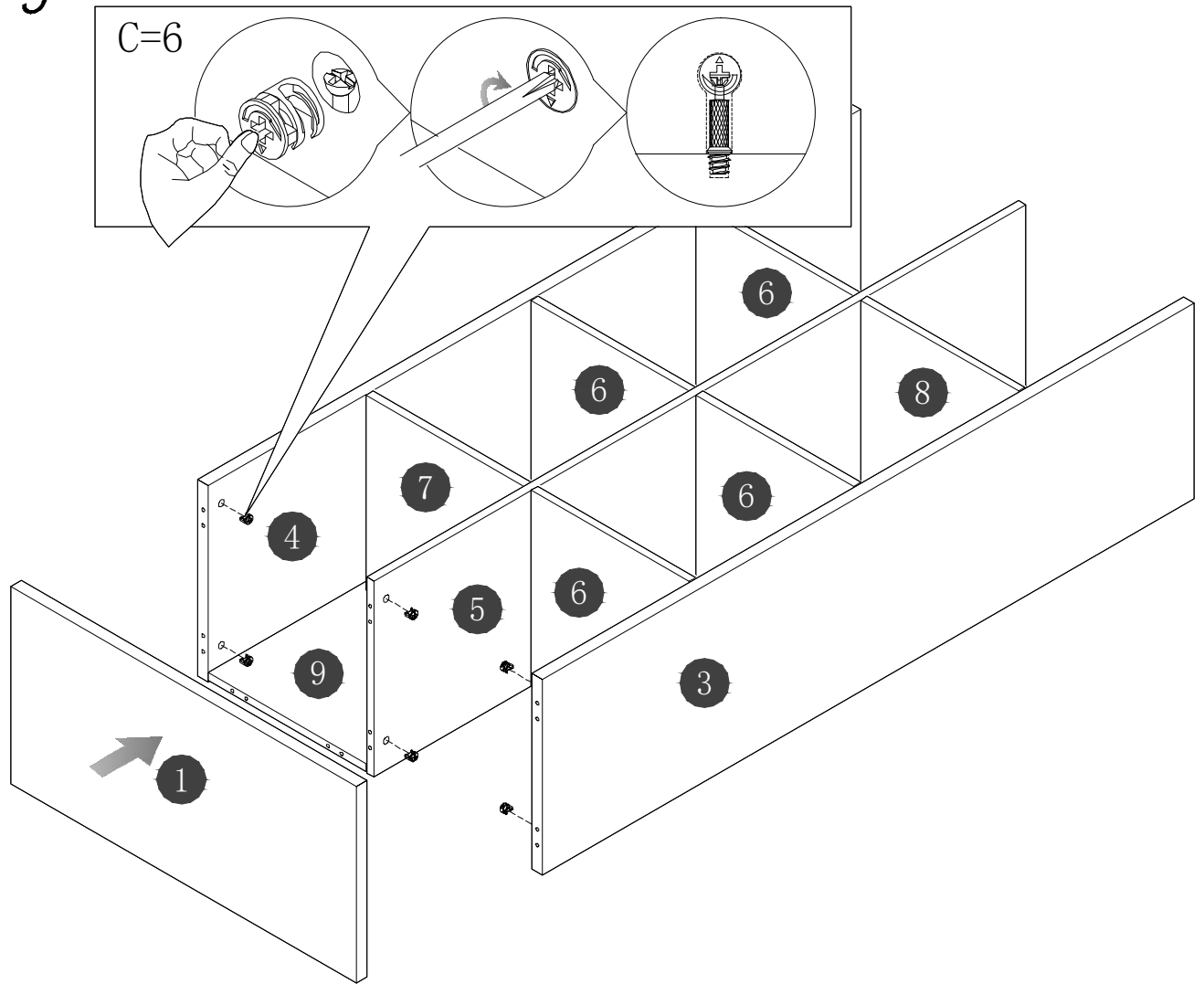
STEP 3



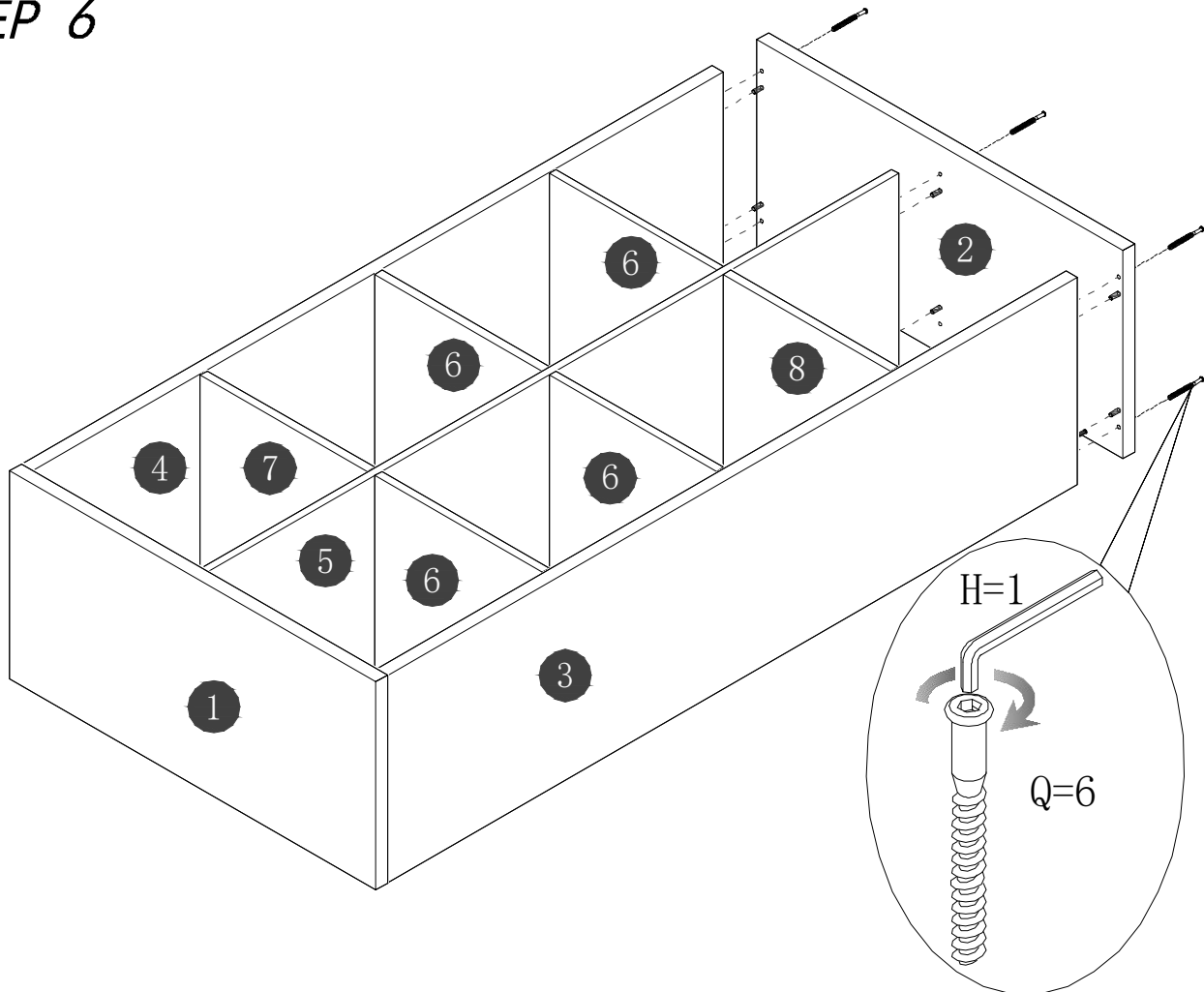
STEP 4



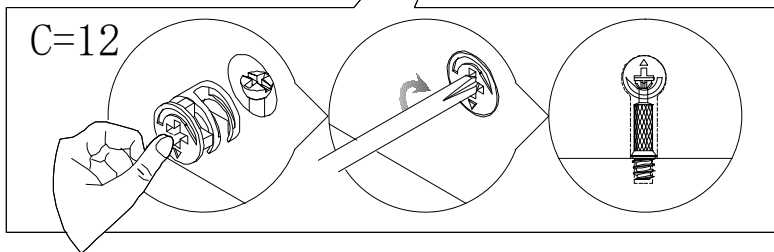
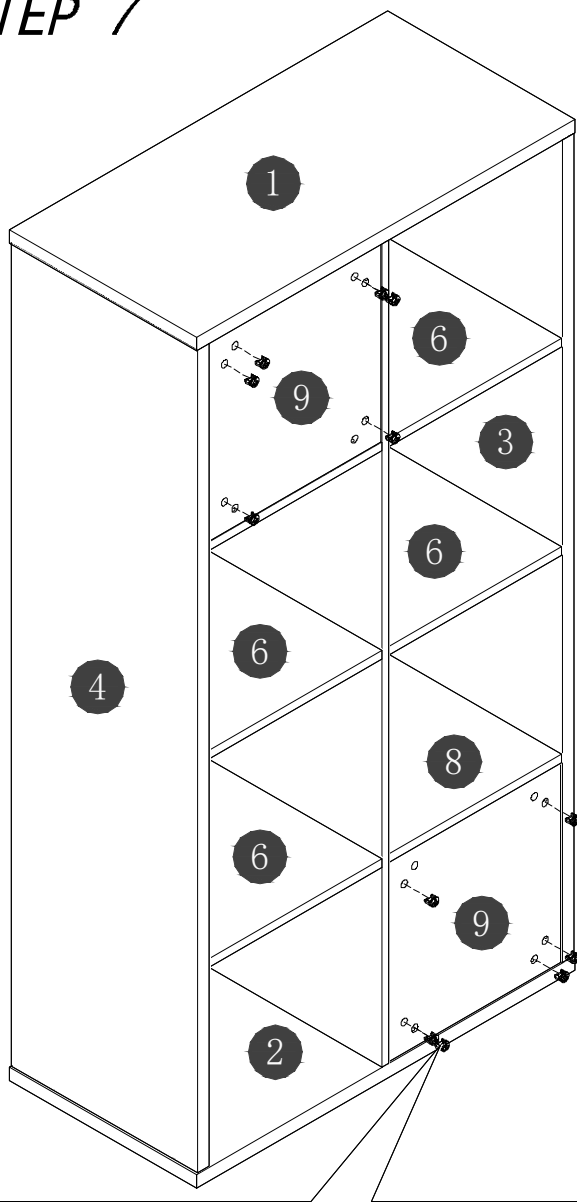
STEP 5



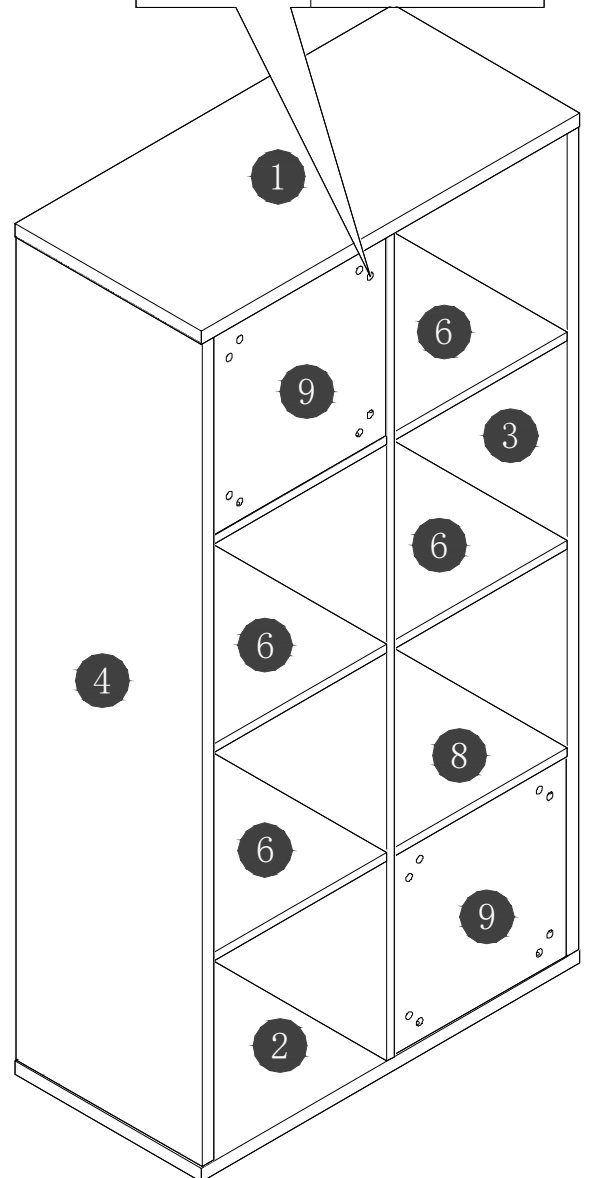
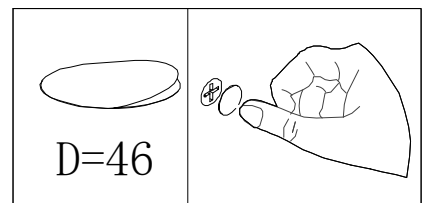
STEP 6



STEP 7

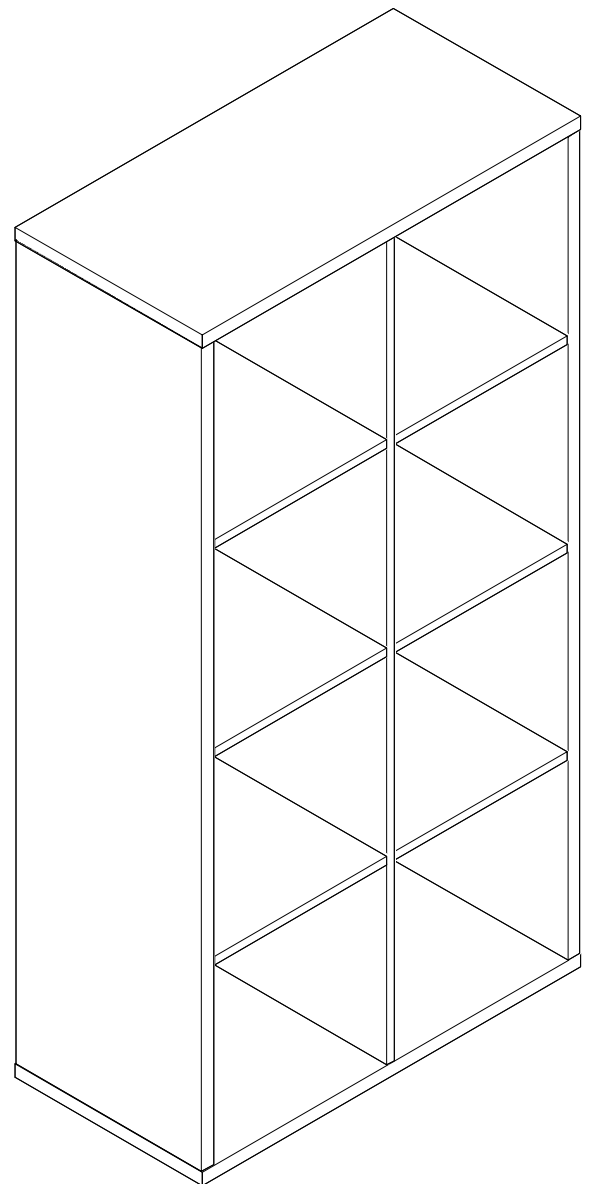
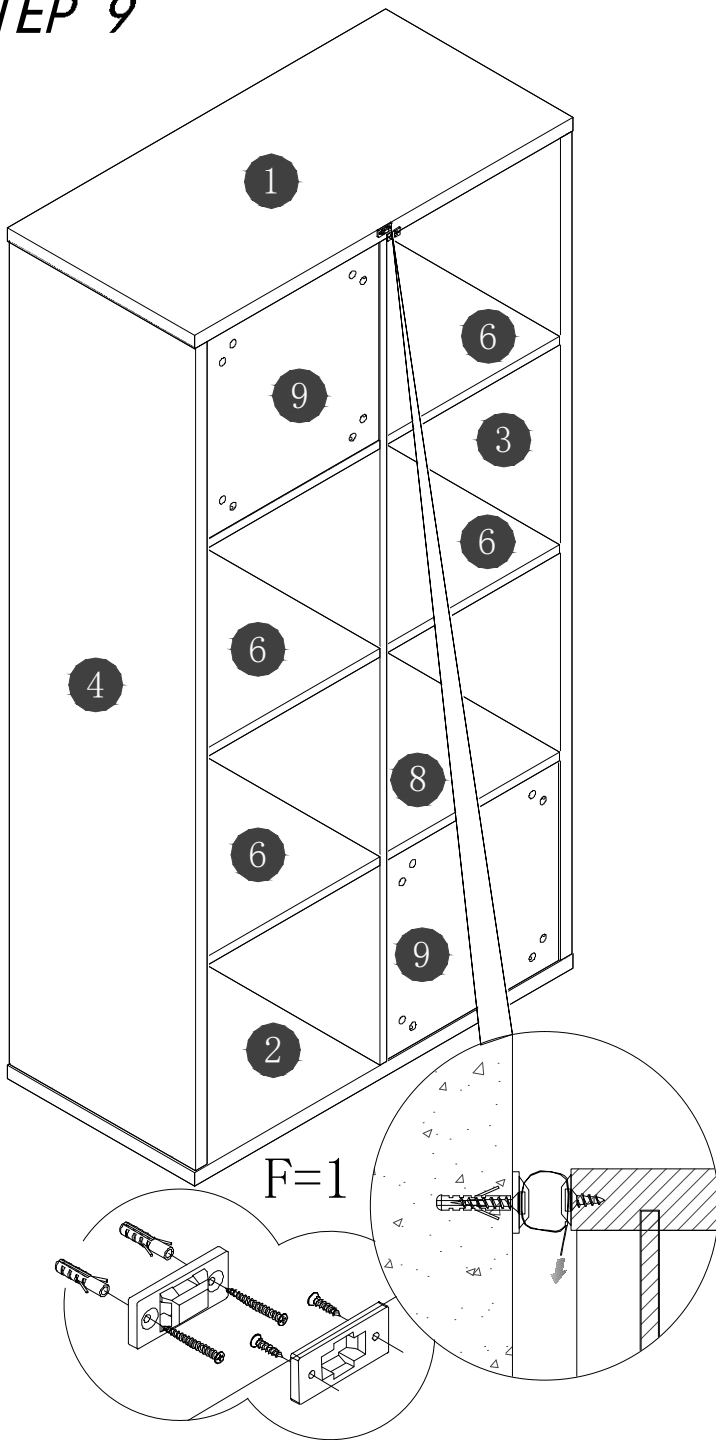


STEP 8



STEP 9

STEP 10



Finish