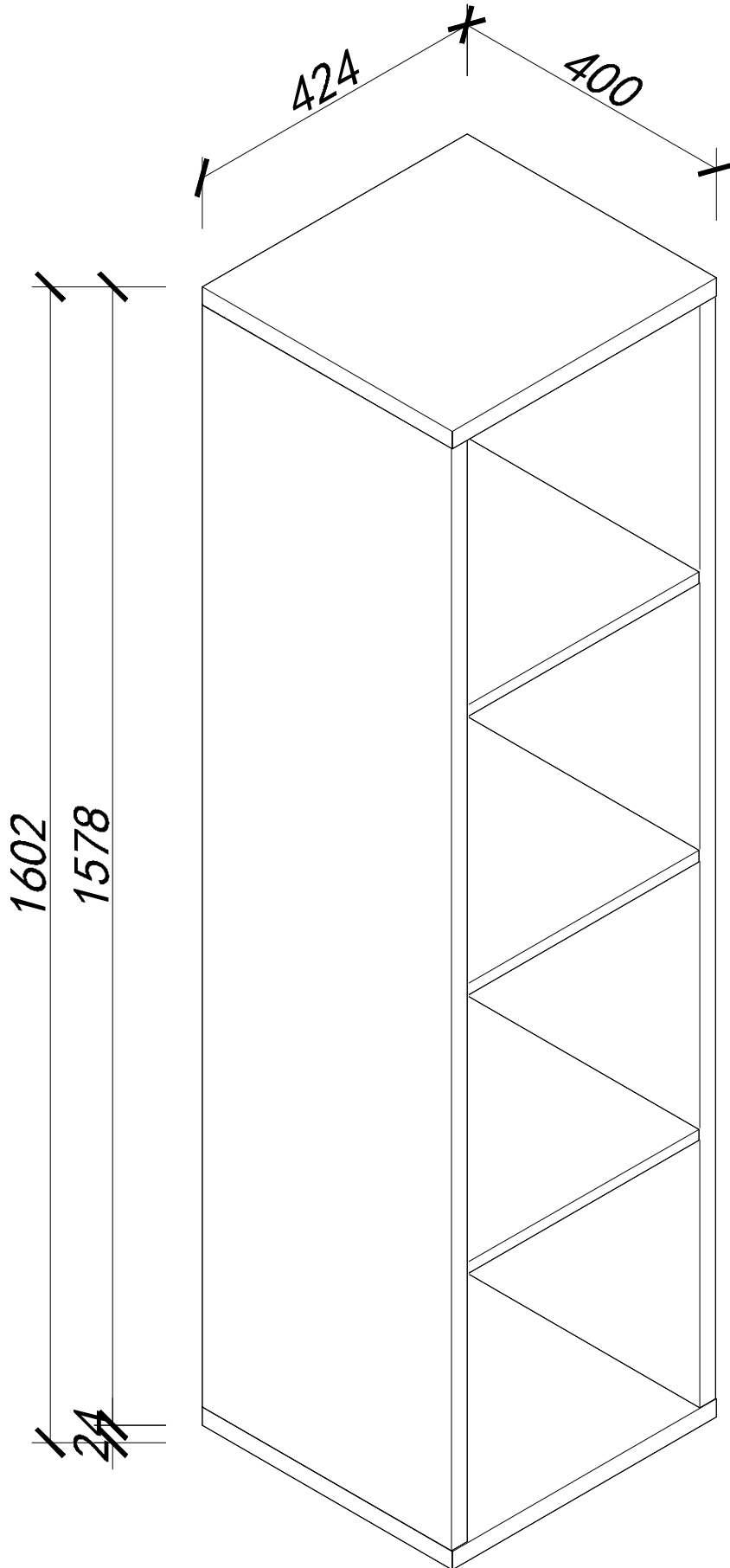
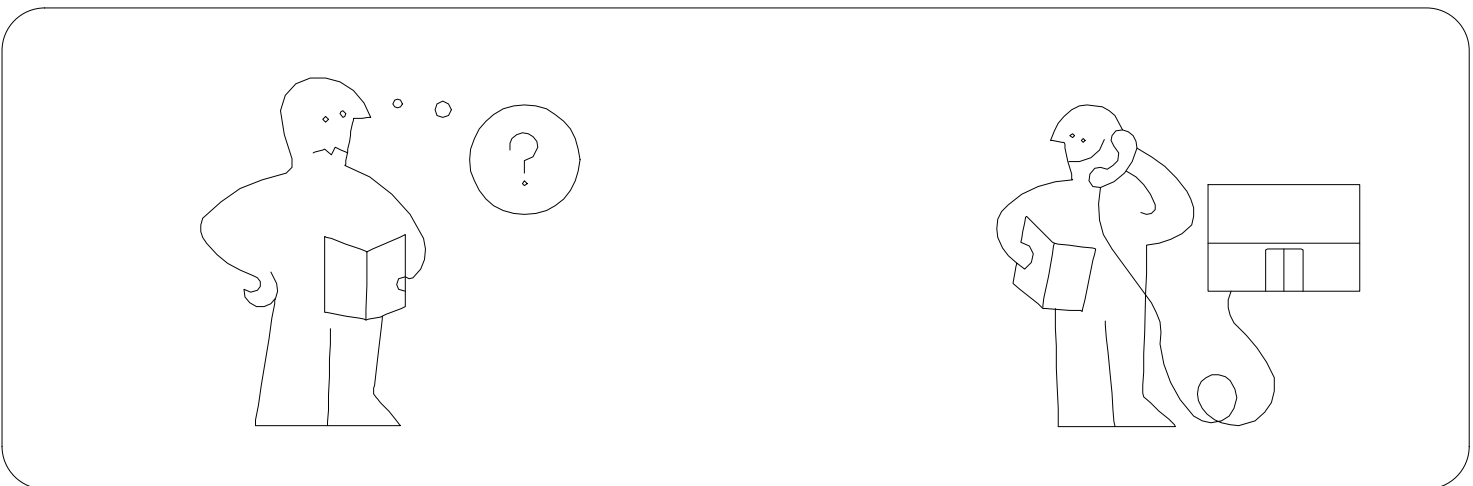
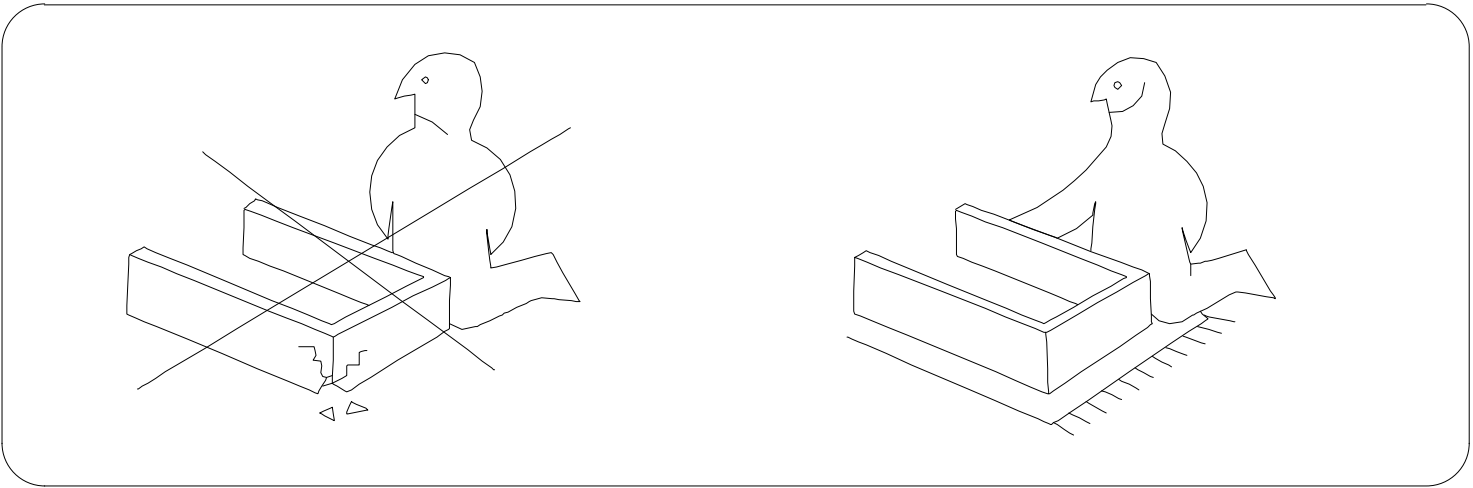
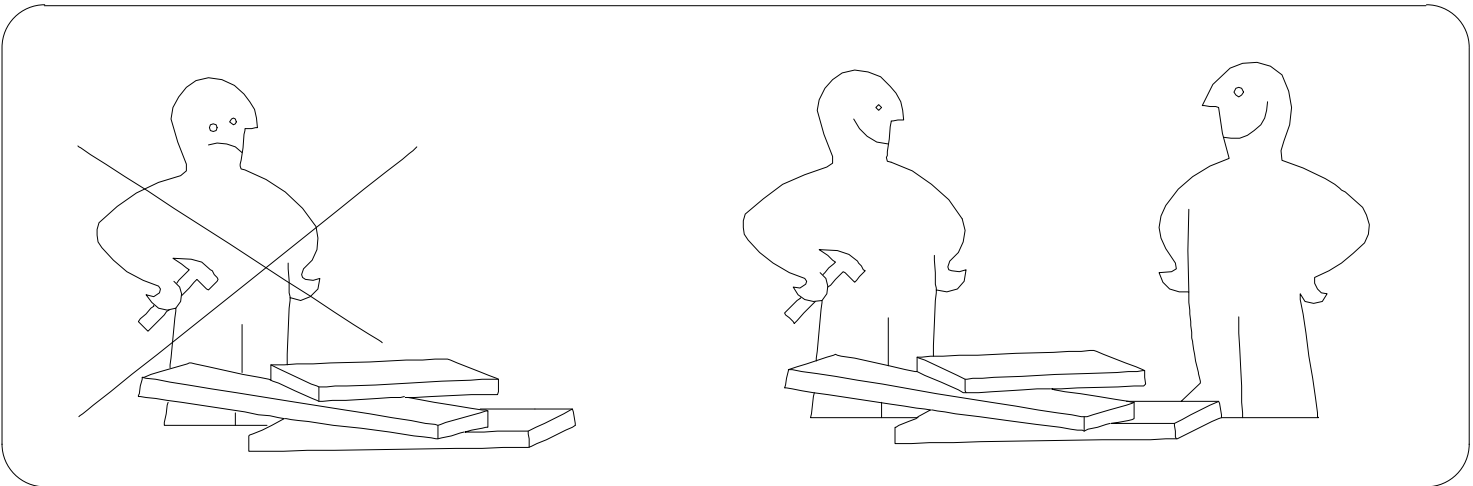
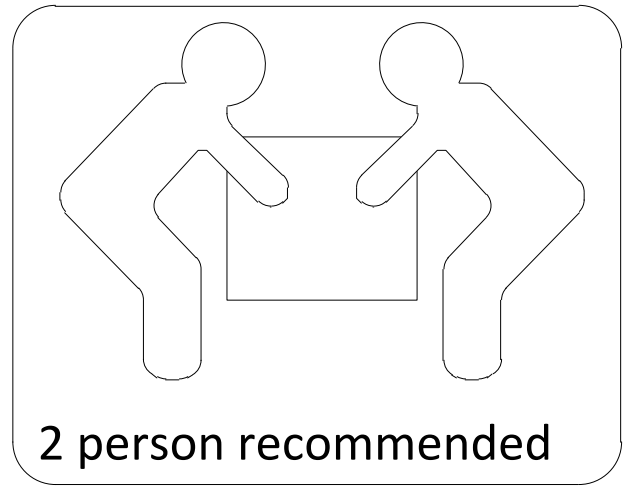
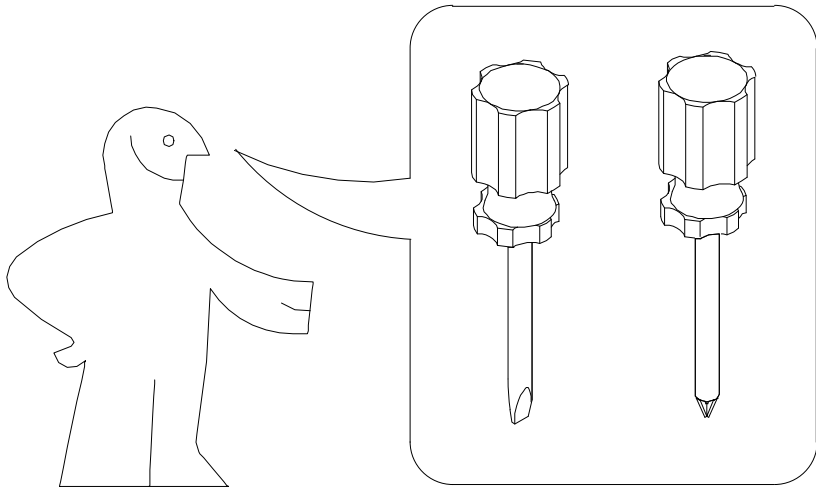


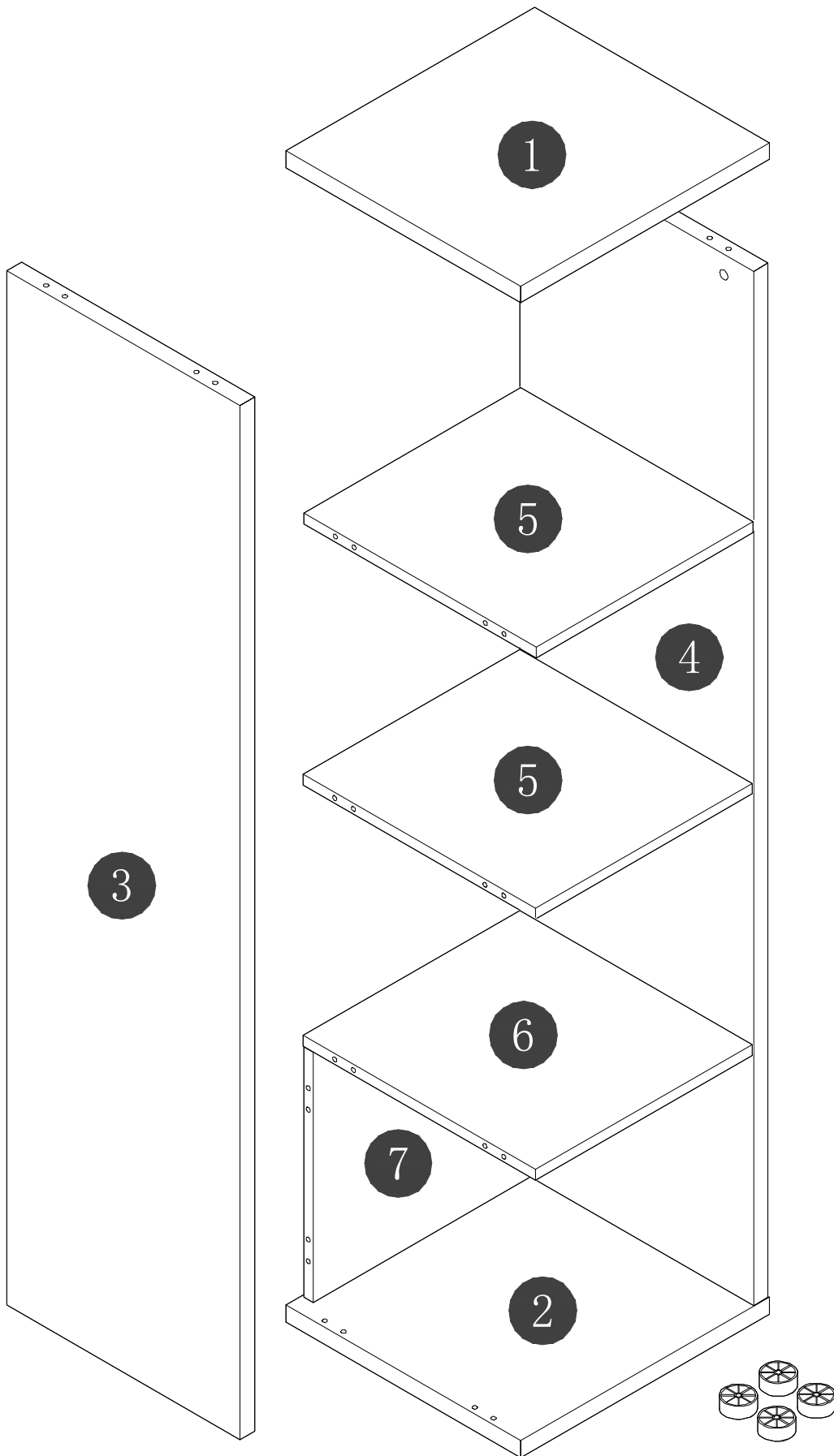
Assembly Instruction





Panel No	Panel Sizes	Quantity
1	424*400*25	1
2	424*400*25	1
3	1528*398*25	1
4	1528*398*25	1

Panel No	Panel Sizes	Quantity
5	370*396*16	2
6	370*396*16	1
7	370*370*16	1

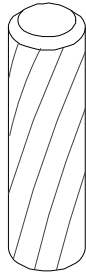


Fittings



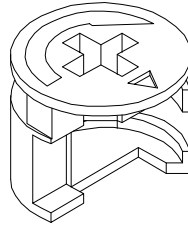
M6*40

A=24



Φ 8*30

B=28



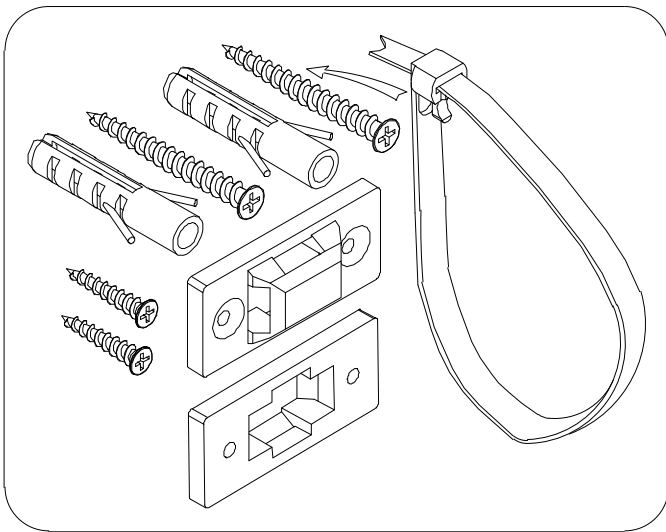
Φ 15*12

C=24

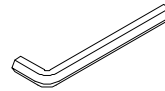


Φ 21

D=24

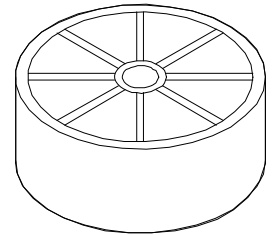


F=1



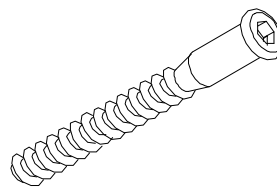
M4

H=1



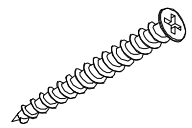
Φ 51*24

J=4



Φ 7*50

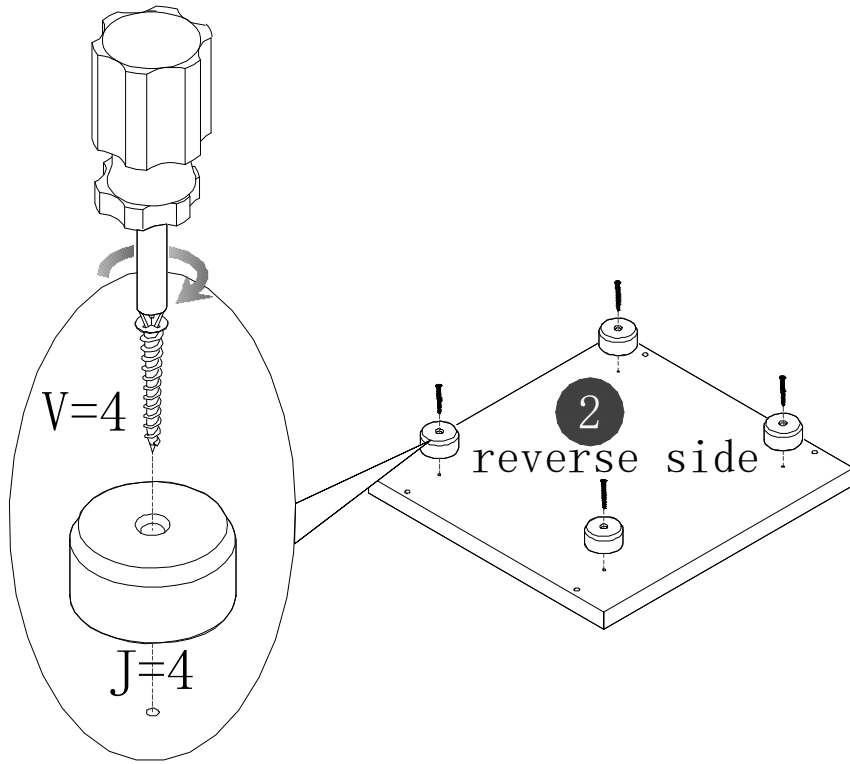
Q=4



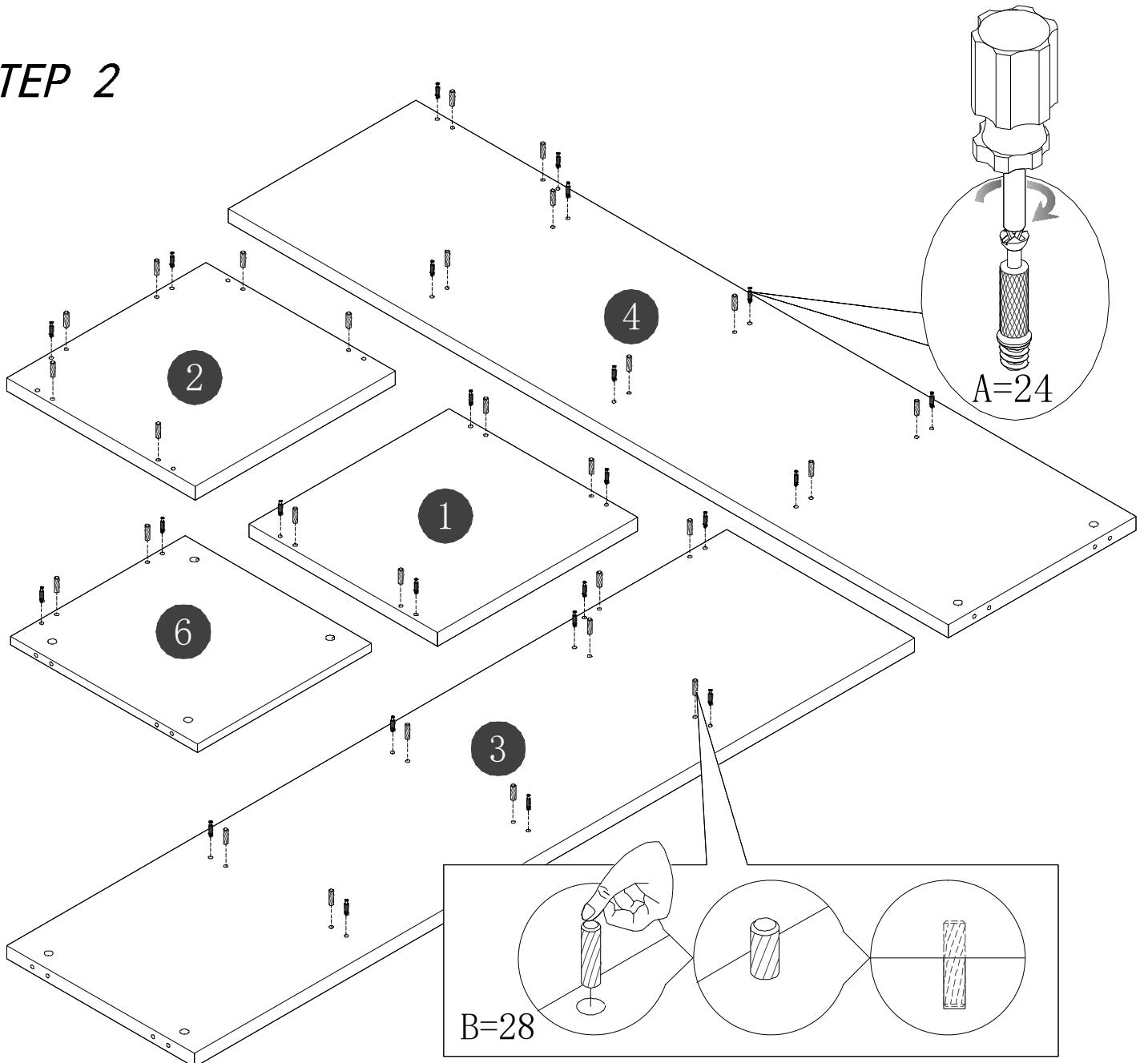
M4*35

V=4

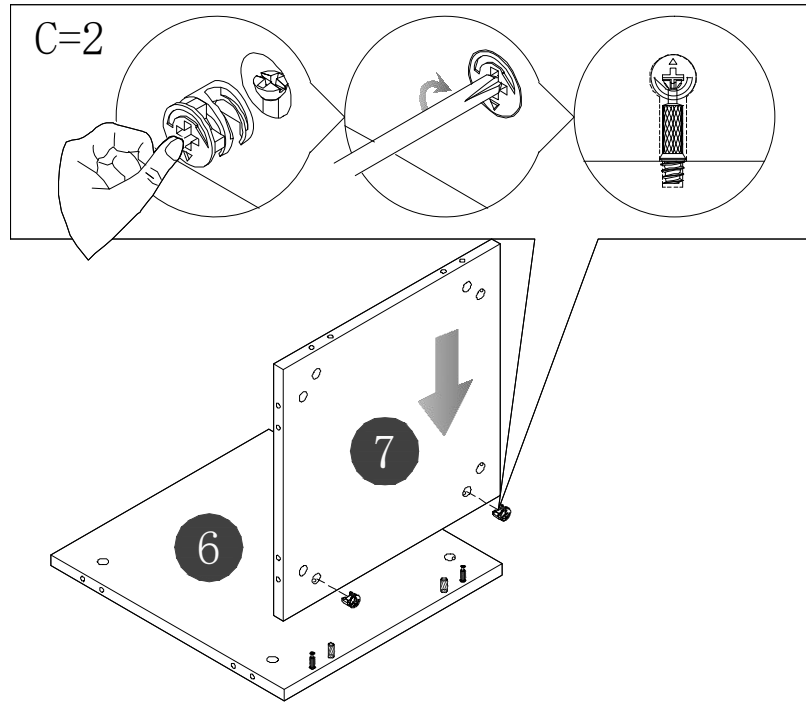
STEP 1



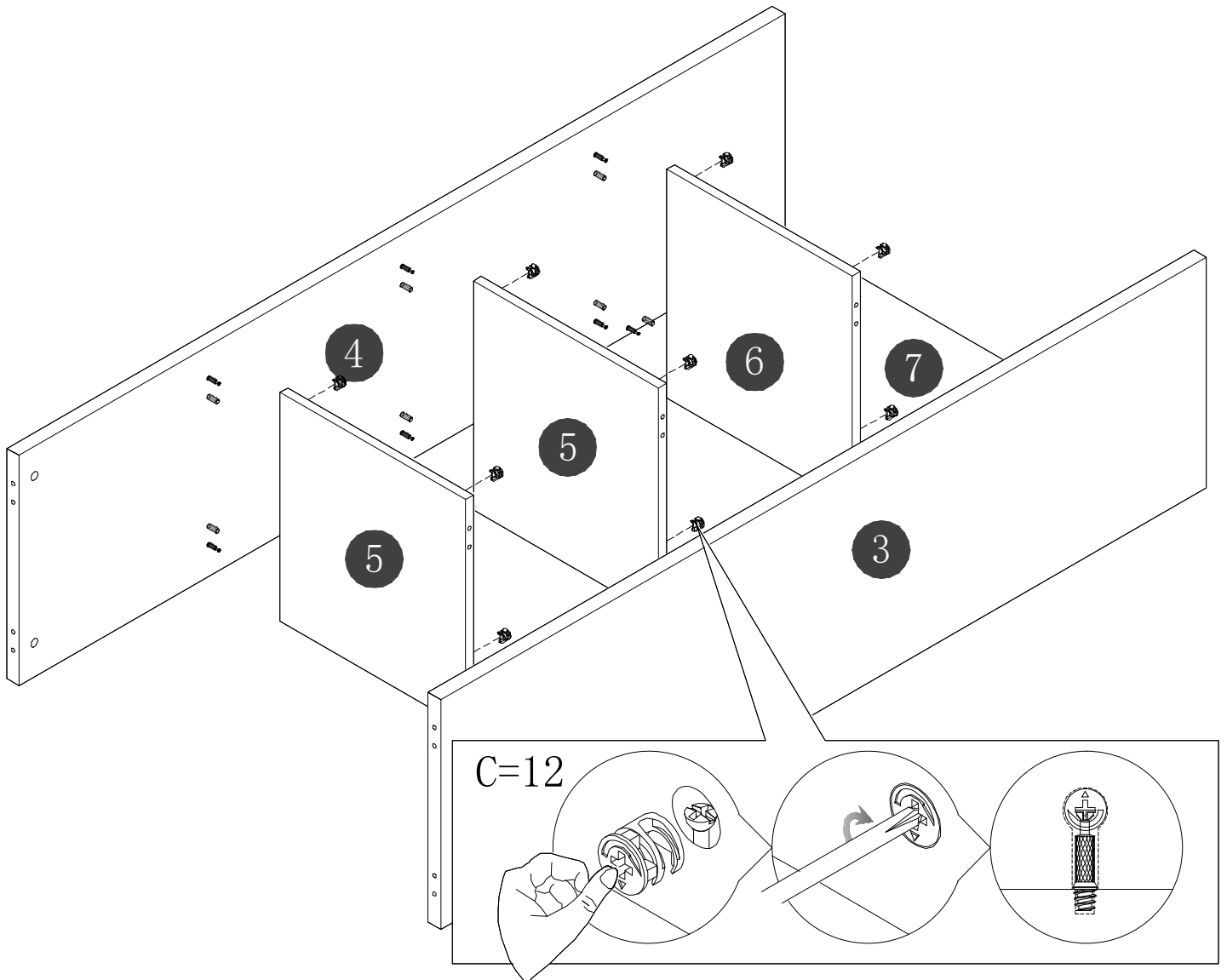
STEP 2



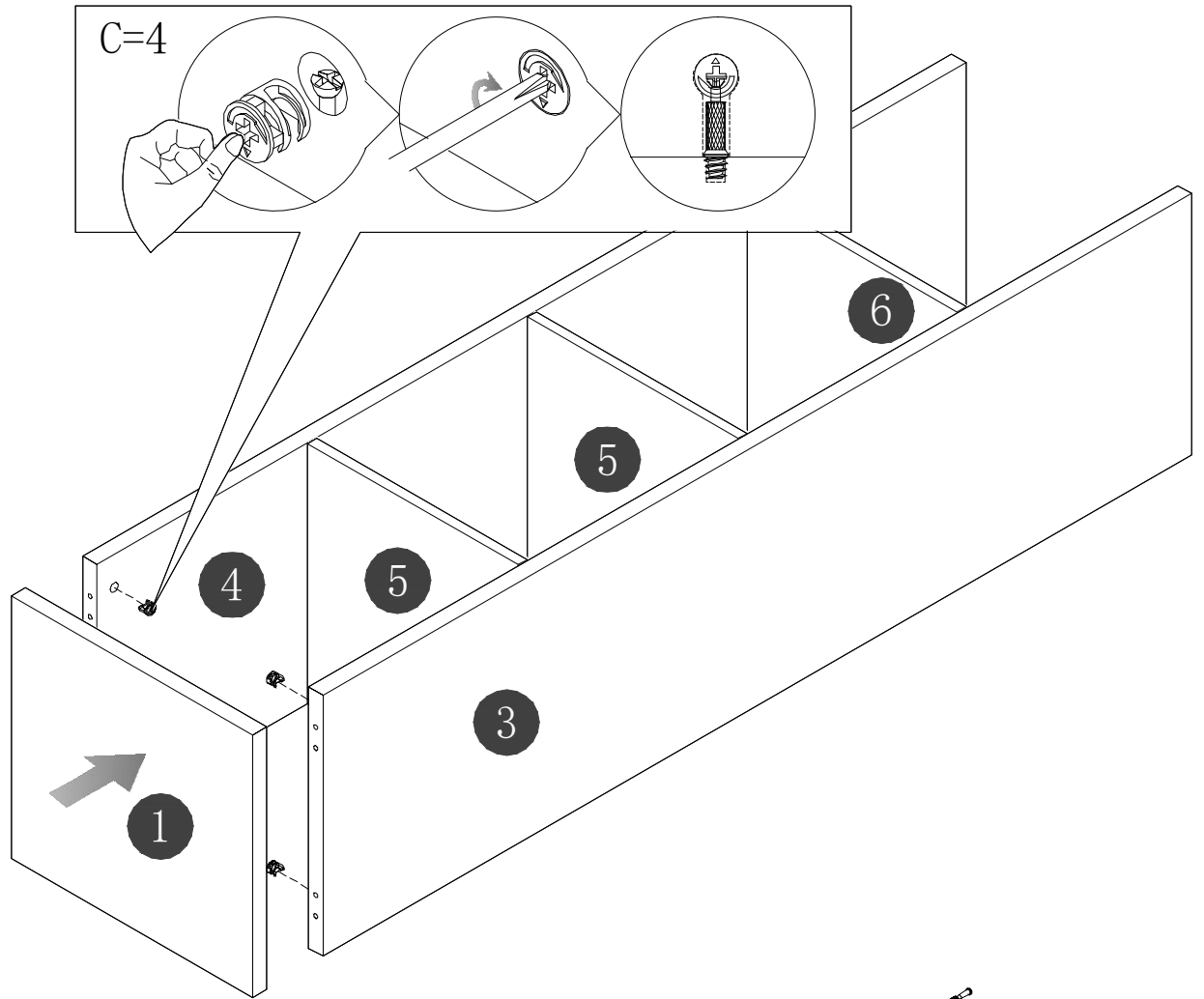
STEP 3



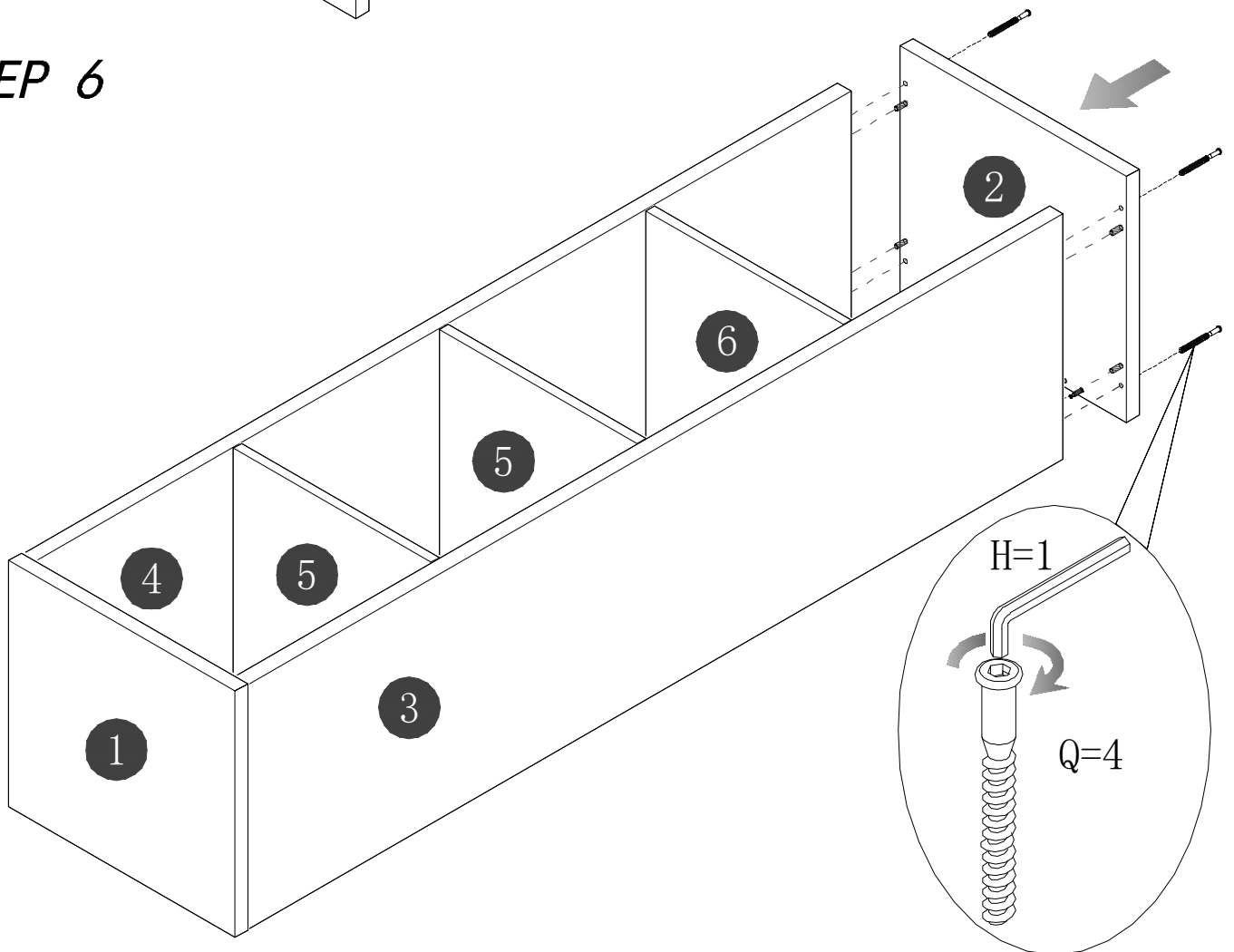
STEP 4



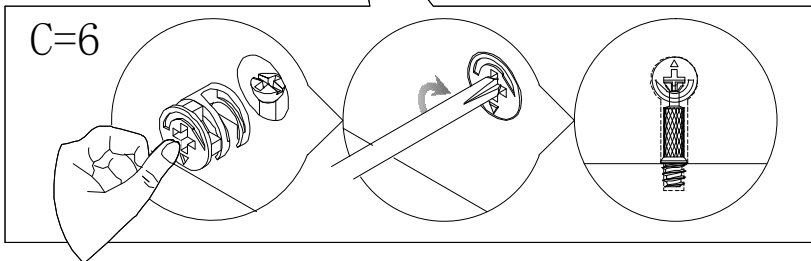
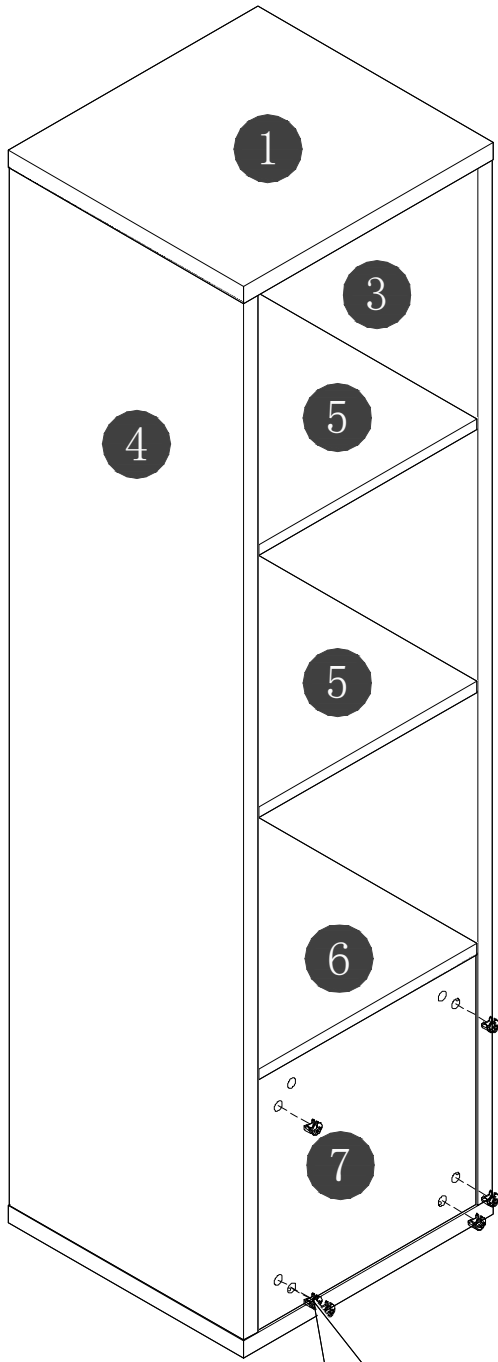
STEP 5



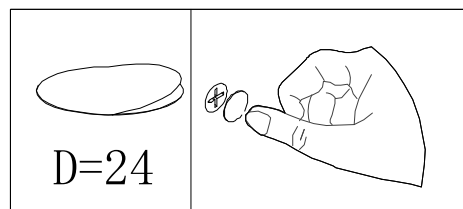
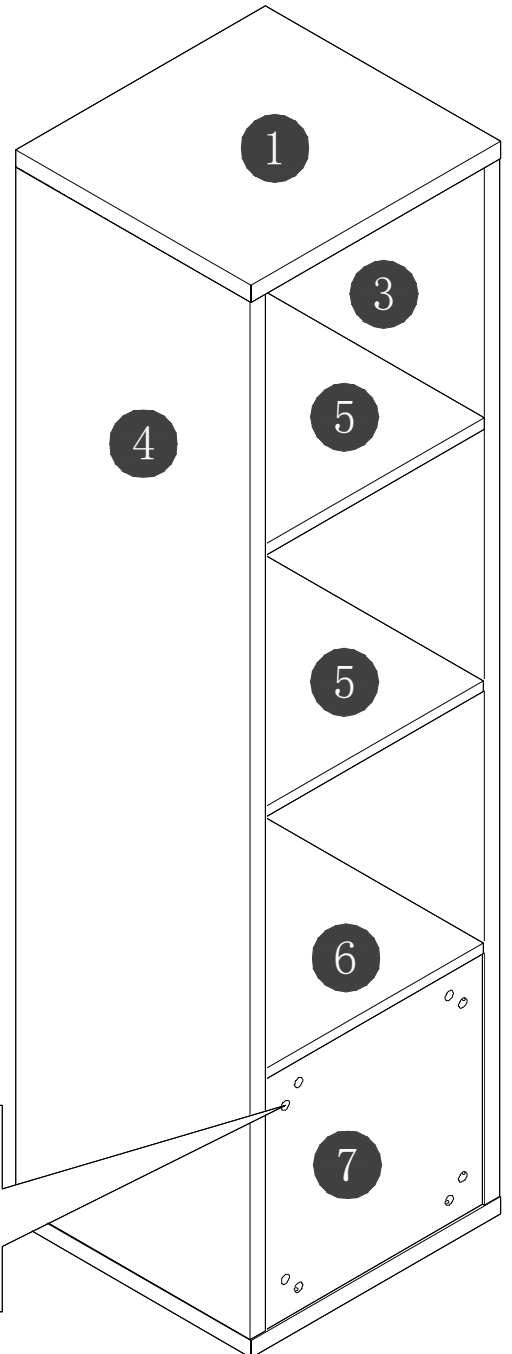
STEP 6



STEP 7

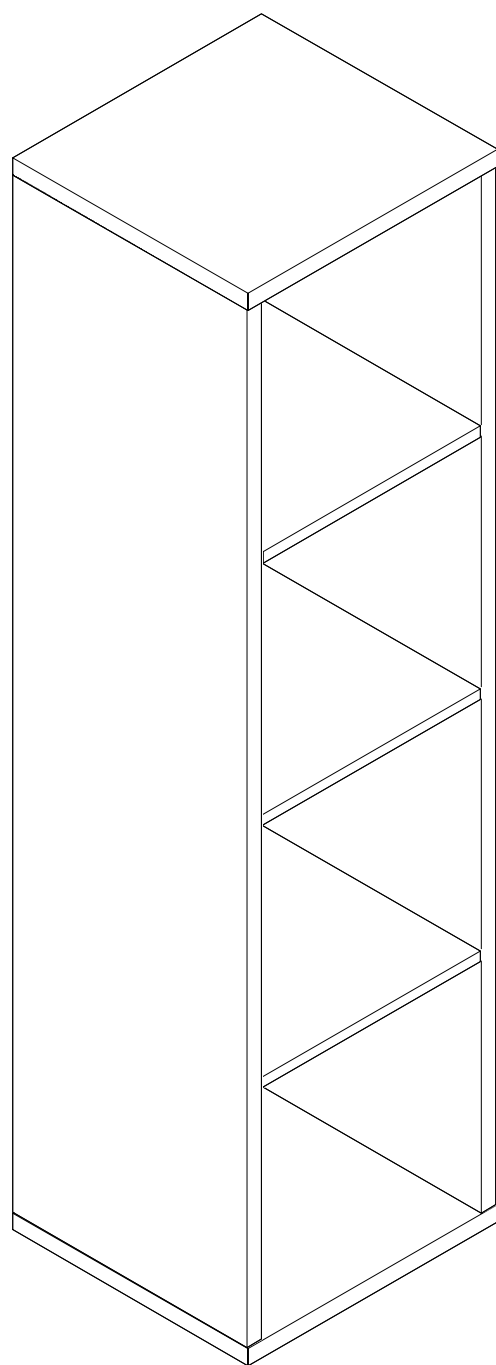
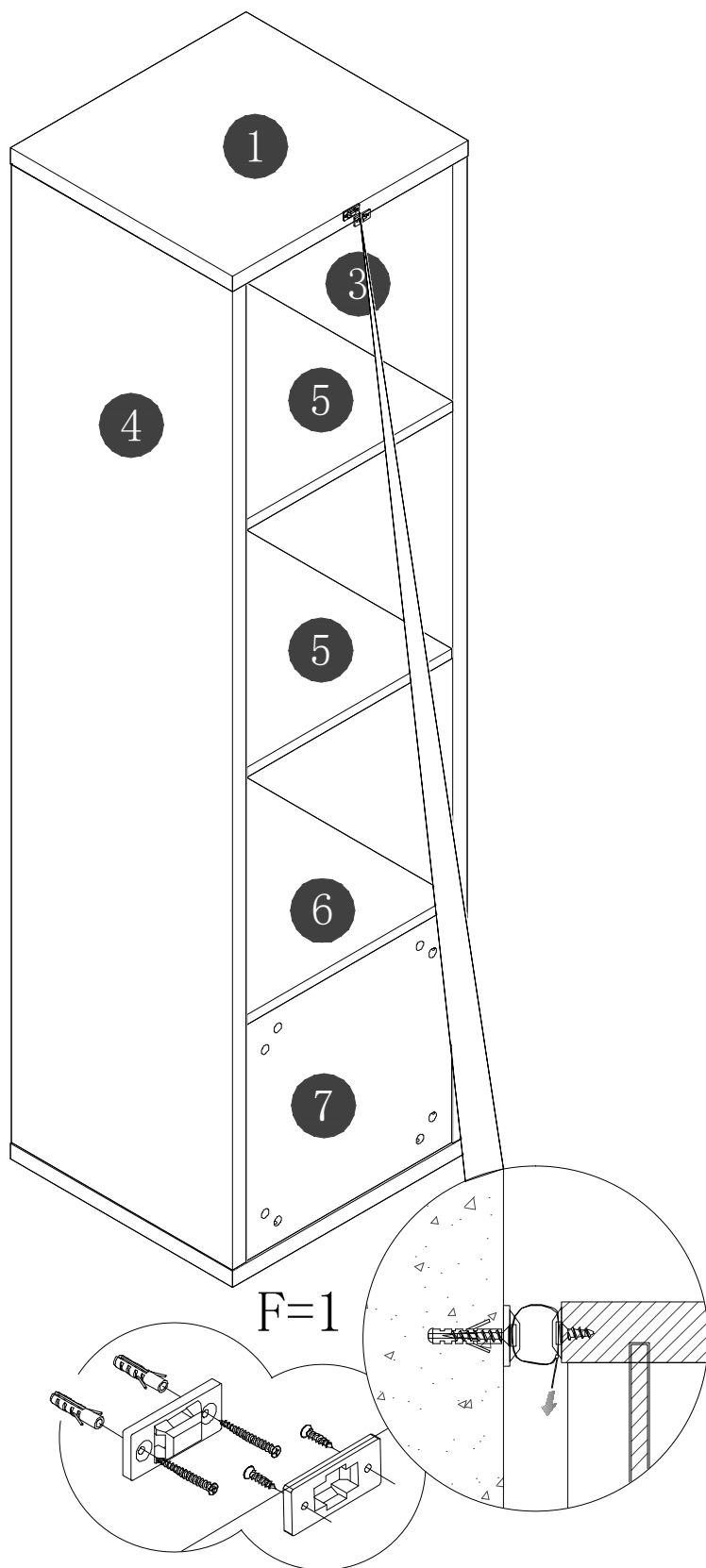


STEP 8



STEP 9

STEP 10



Finish