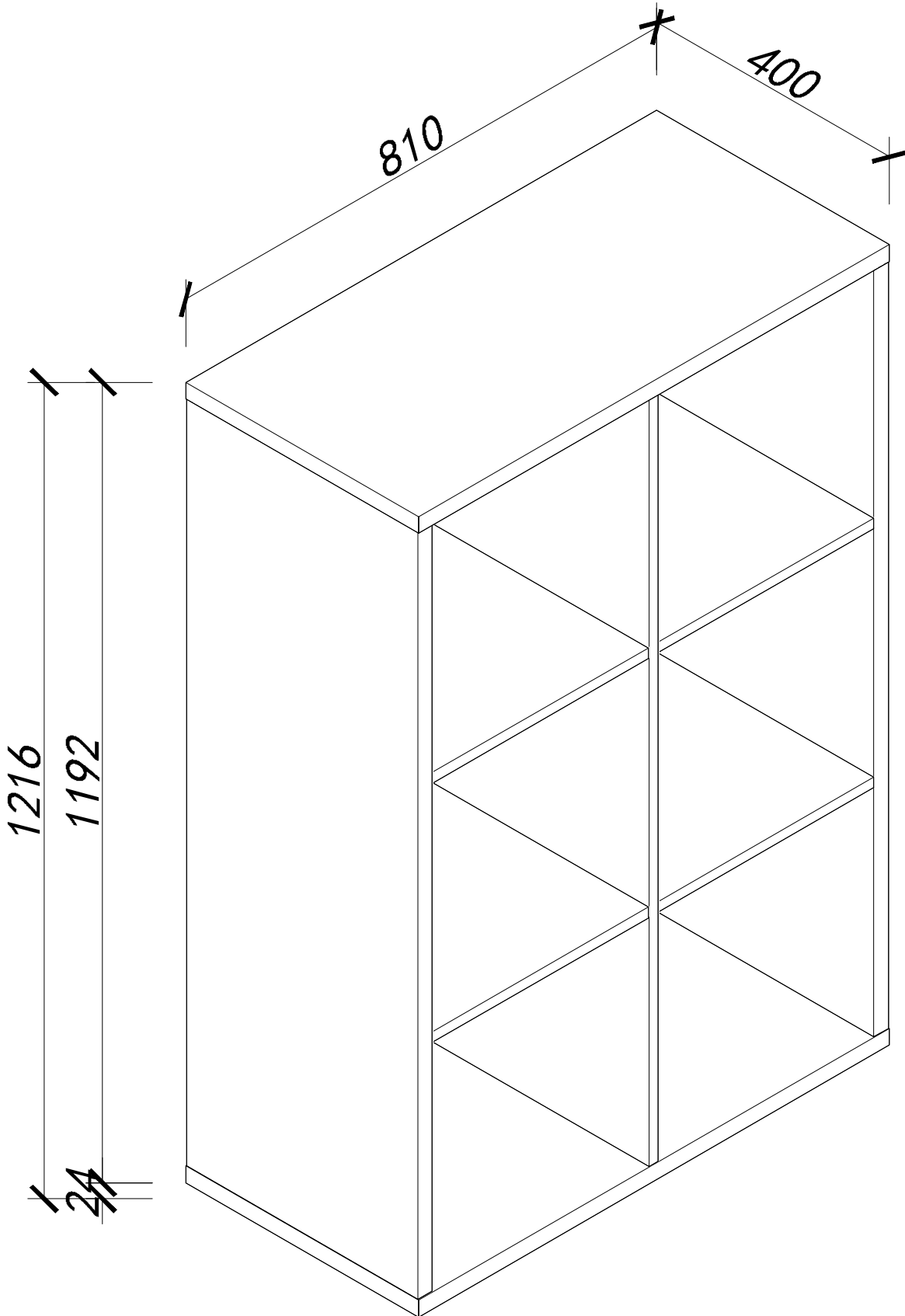
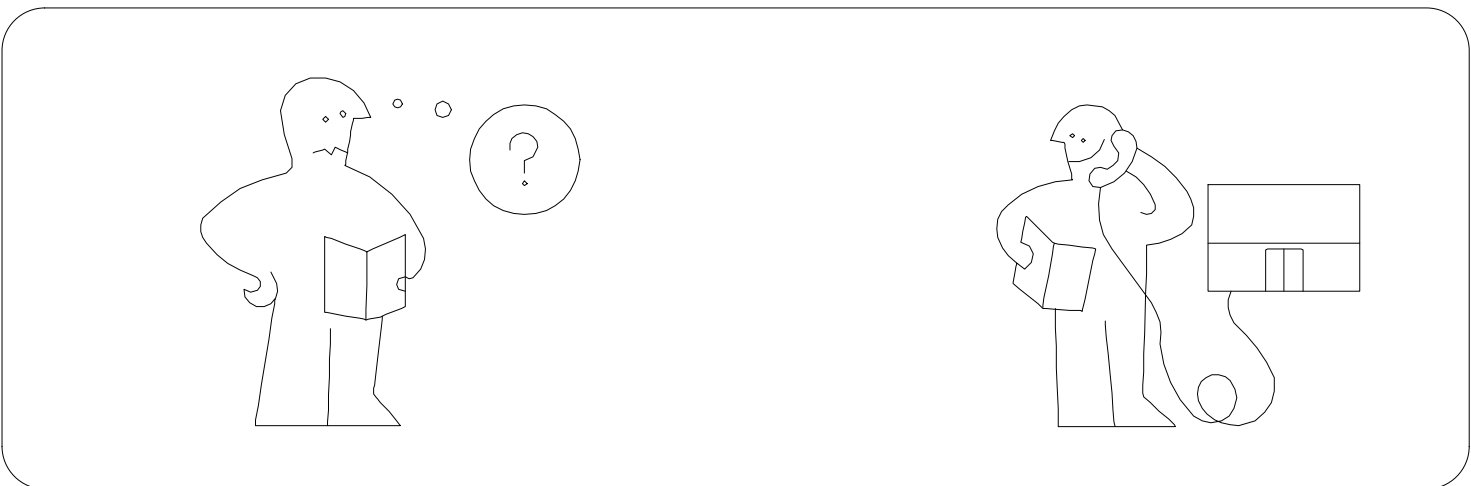
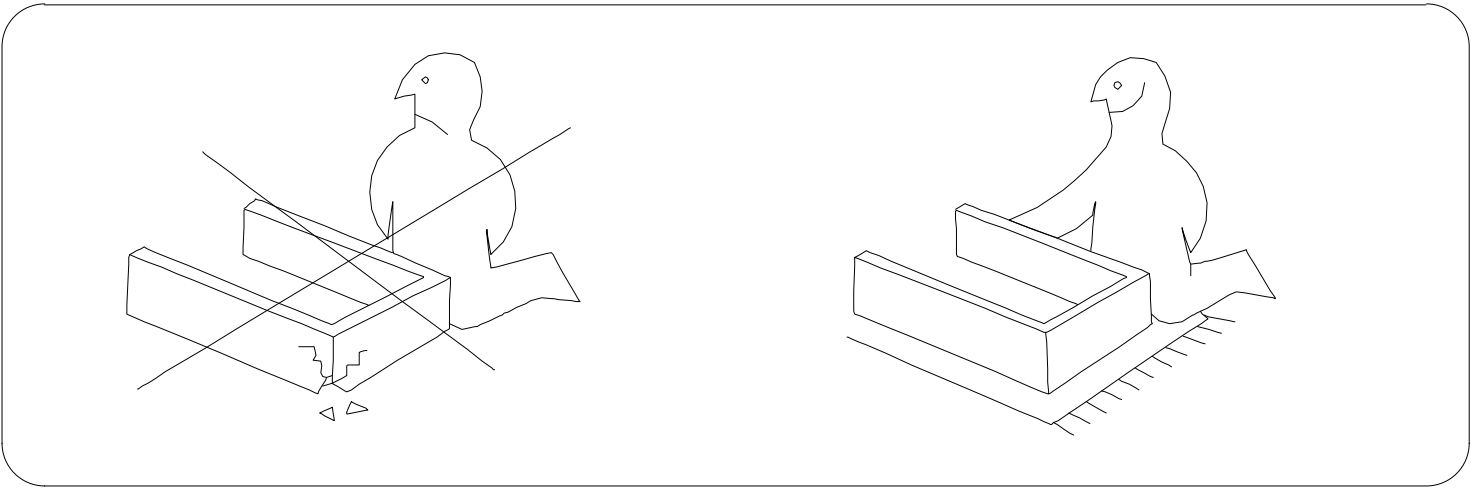
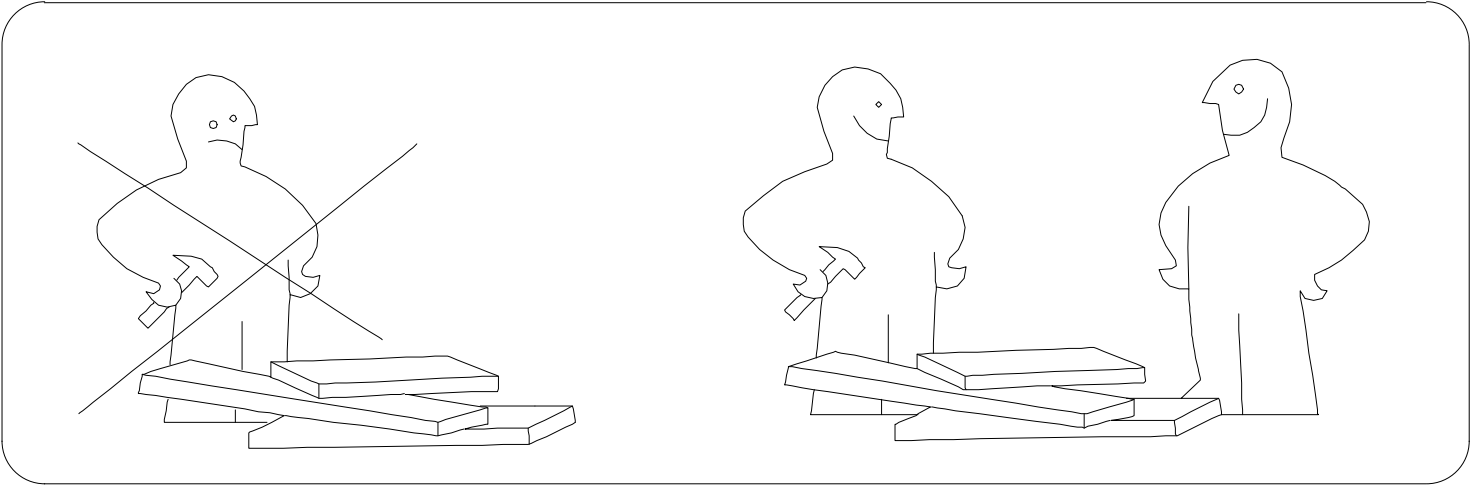
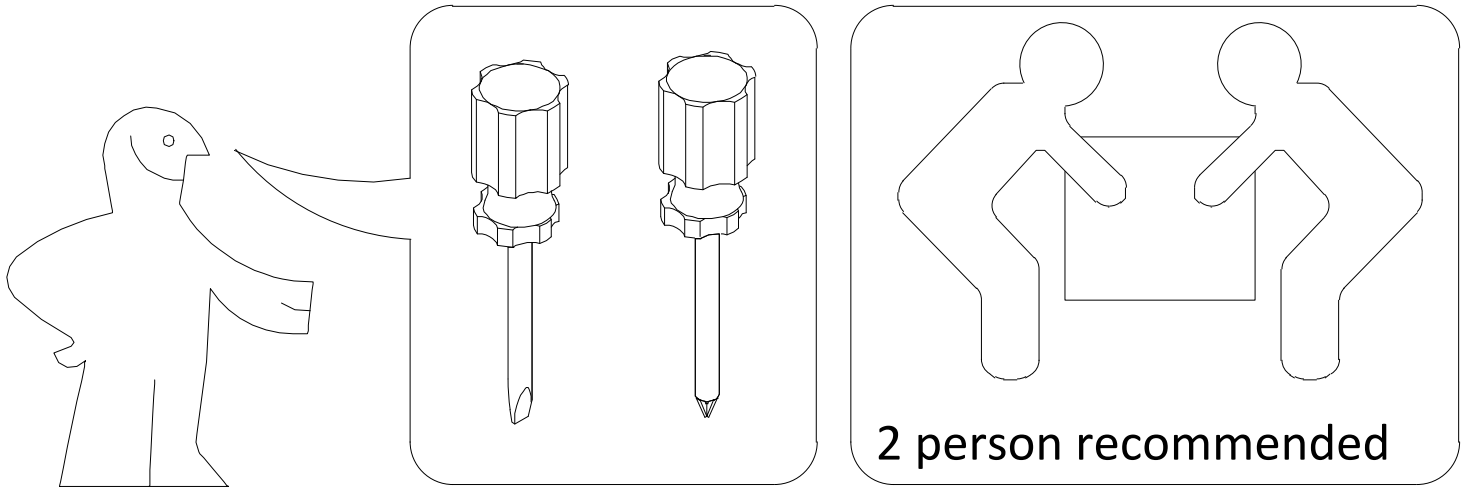


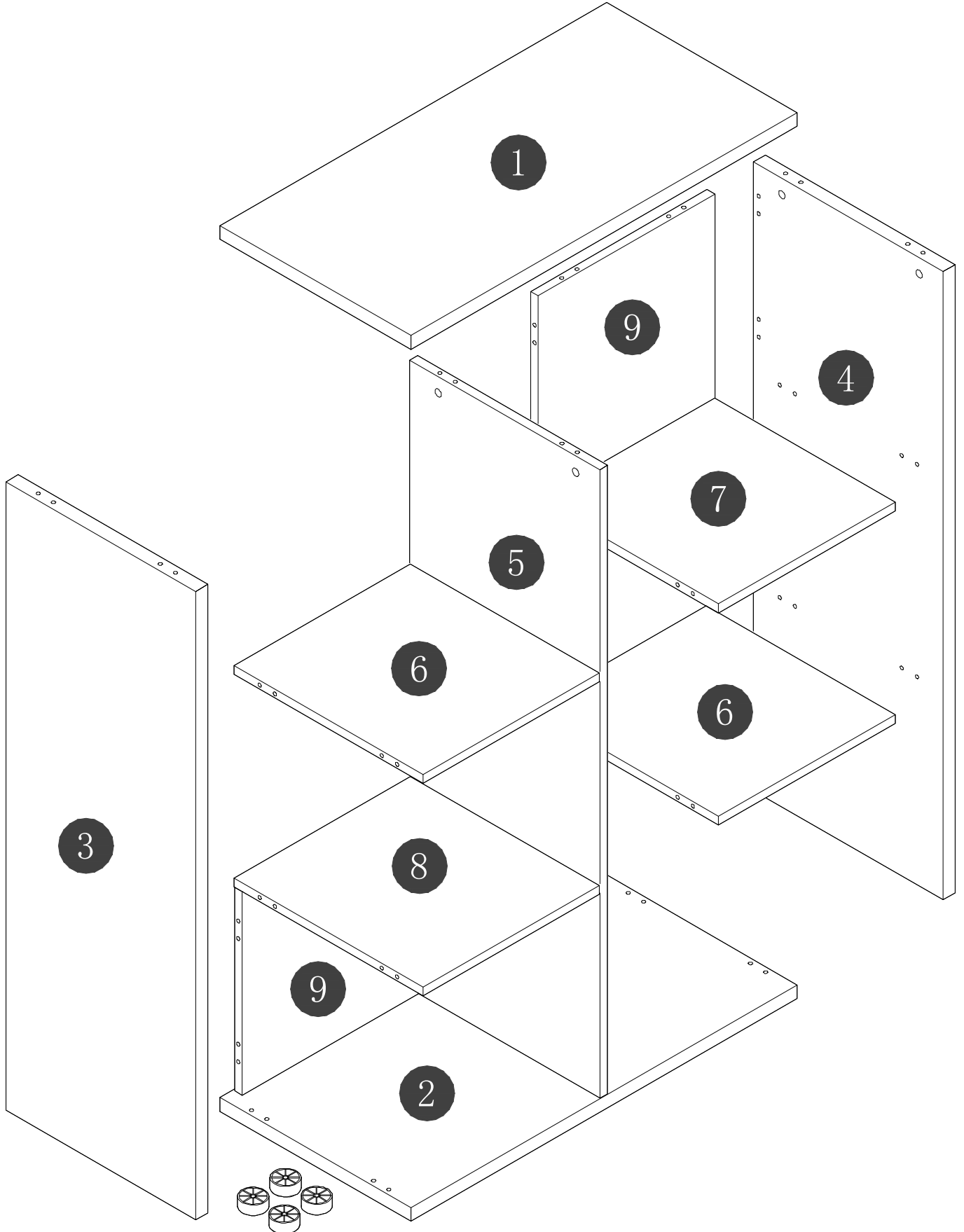
Assembly Instruction





Panel No	Panel Sizes	Quantity
1	810*400*25	1
2	810*400*25	1
3	1142*398*25	1
4	1142*398*25	1
5	1142*398*16	1

Panel No	Panel Sizes	Quantity
6	370*396*16	2
7	370*396*16	1
8	370*396*16	1
9	370*370*16	2

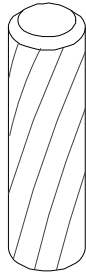


Fittings



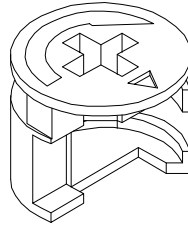
M6*40

A=38



Φ 8*30

B=44



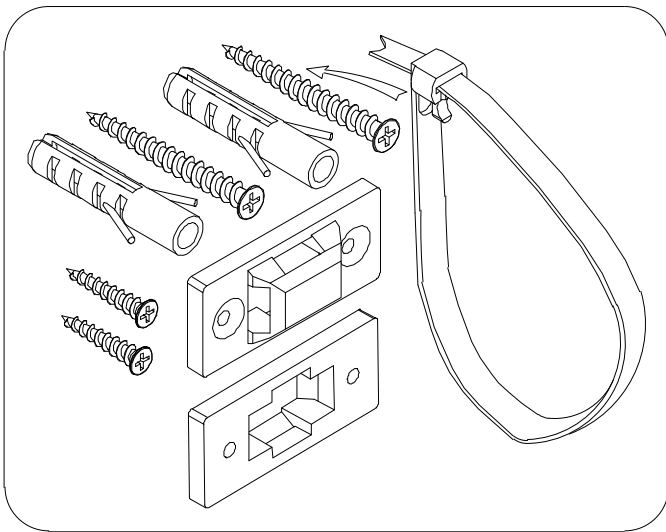
Φ 15*12

C=38

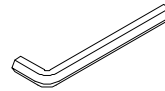


Φ 21

D=38

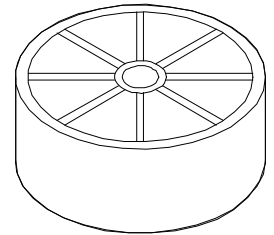


F=1



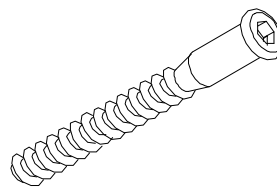
M4

H=1



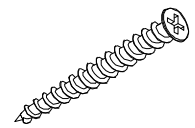
Φ 51*24

J=4



Φ 7*50

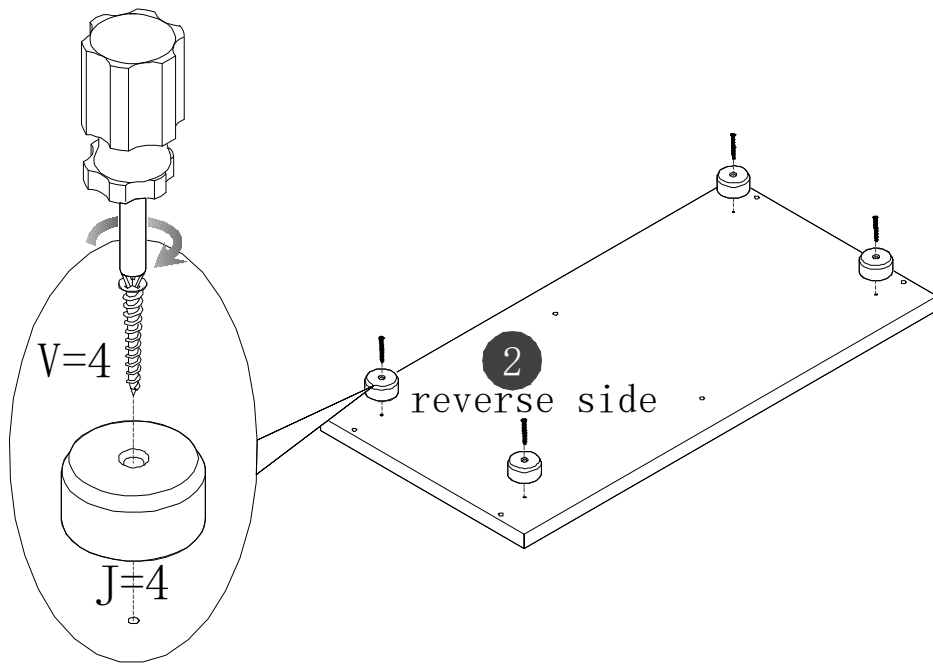
Q=6



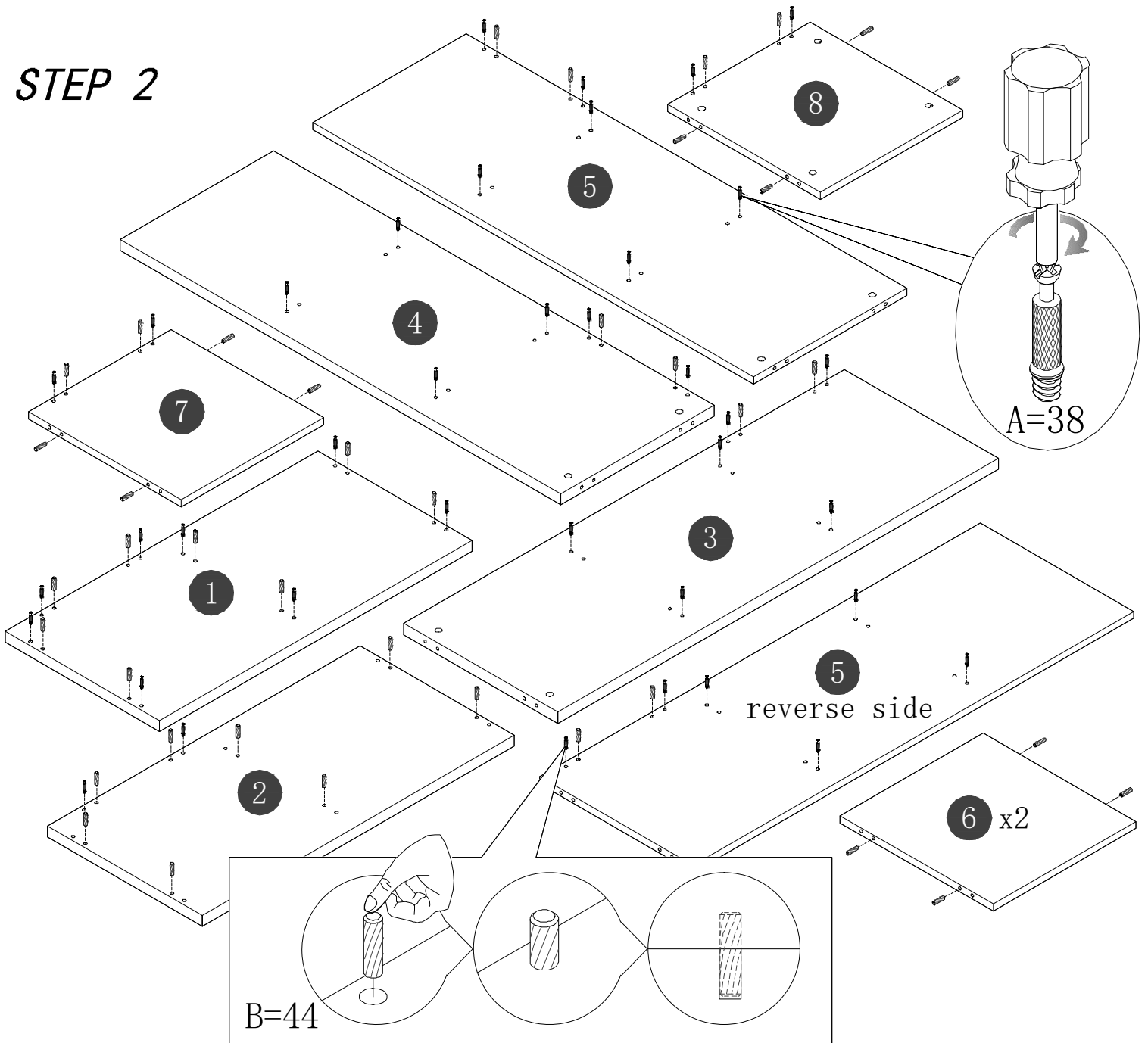
M4*35

V=4

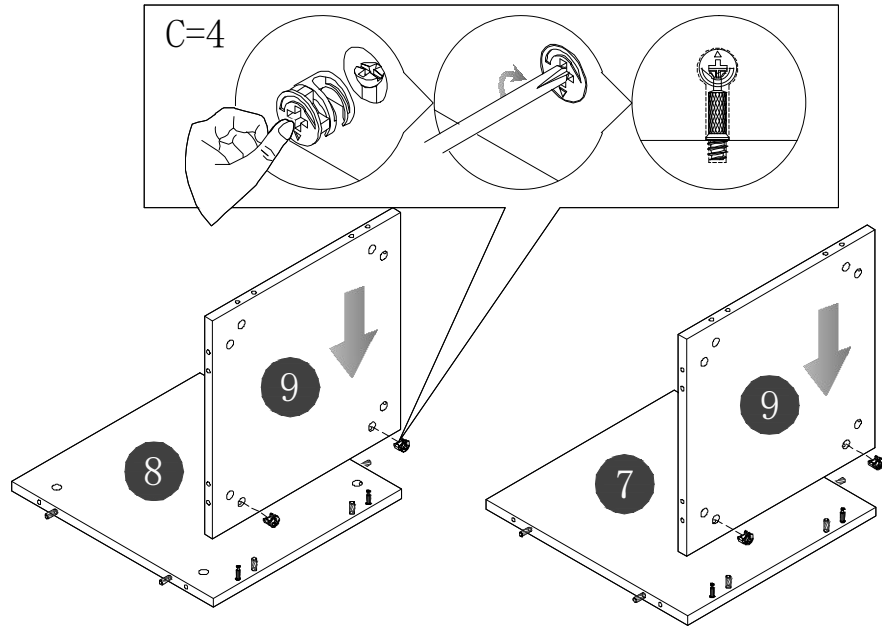
STEP 1



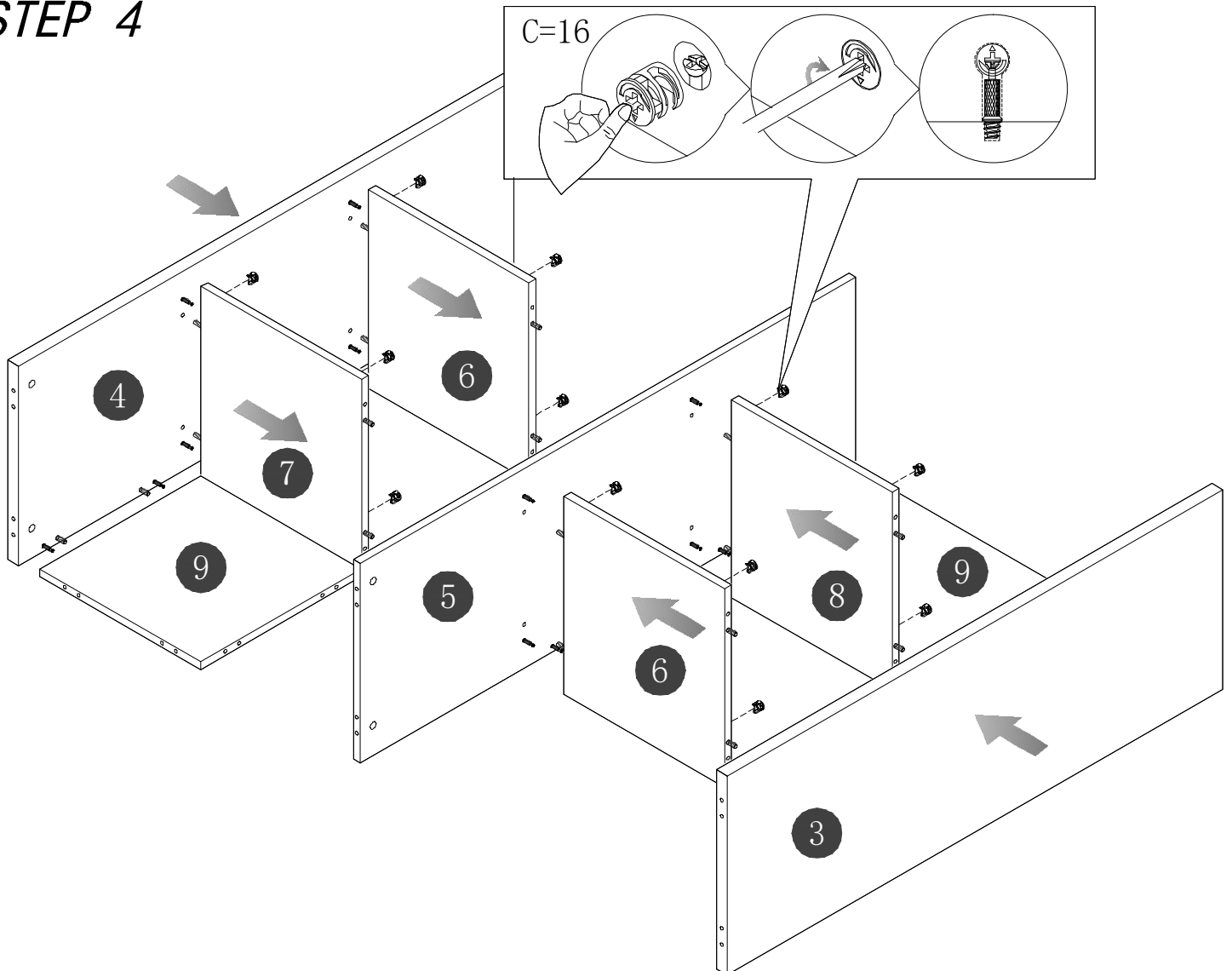
STEP 2



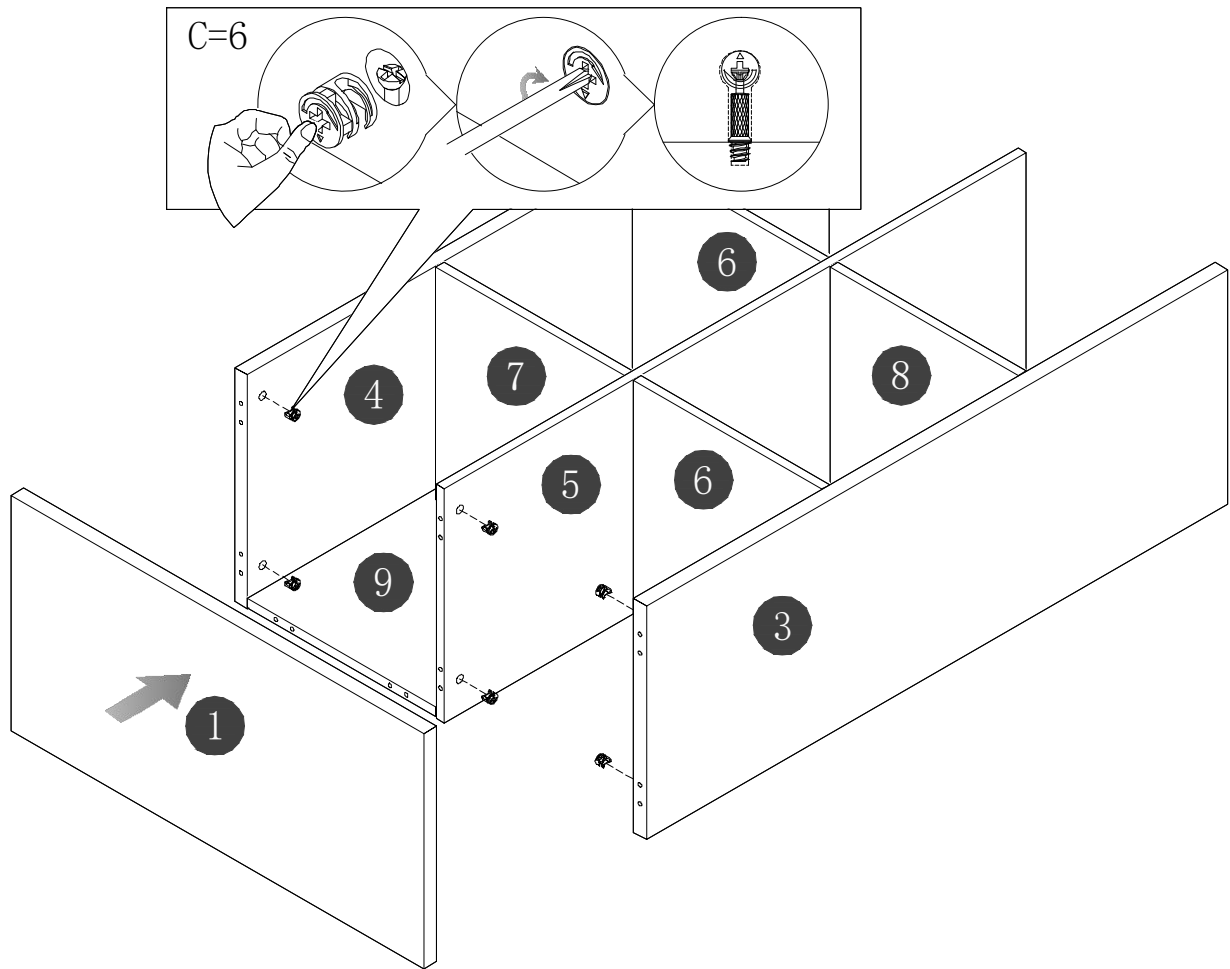
STEP 3



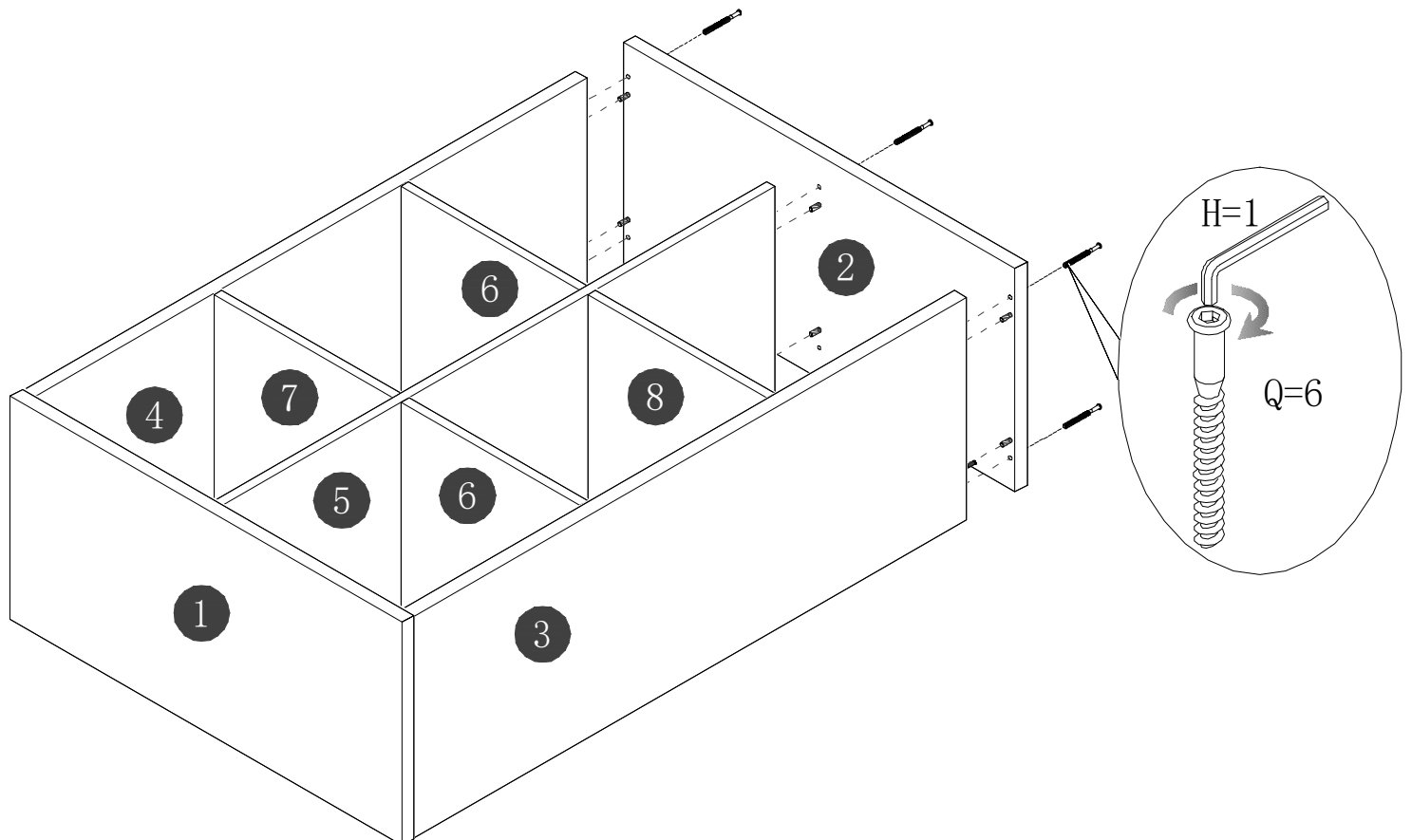
STEP 4



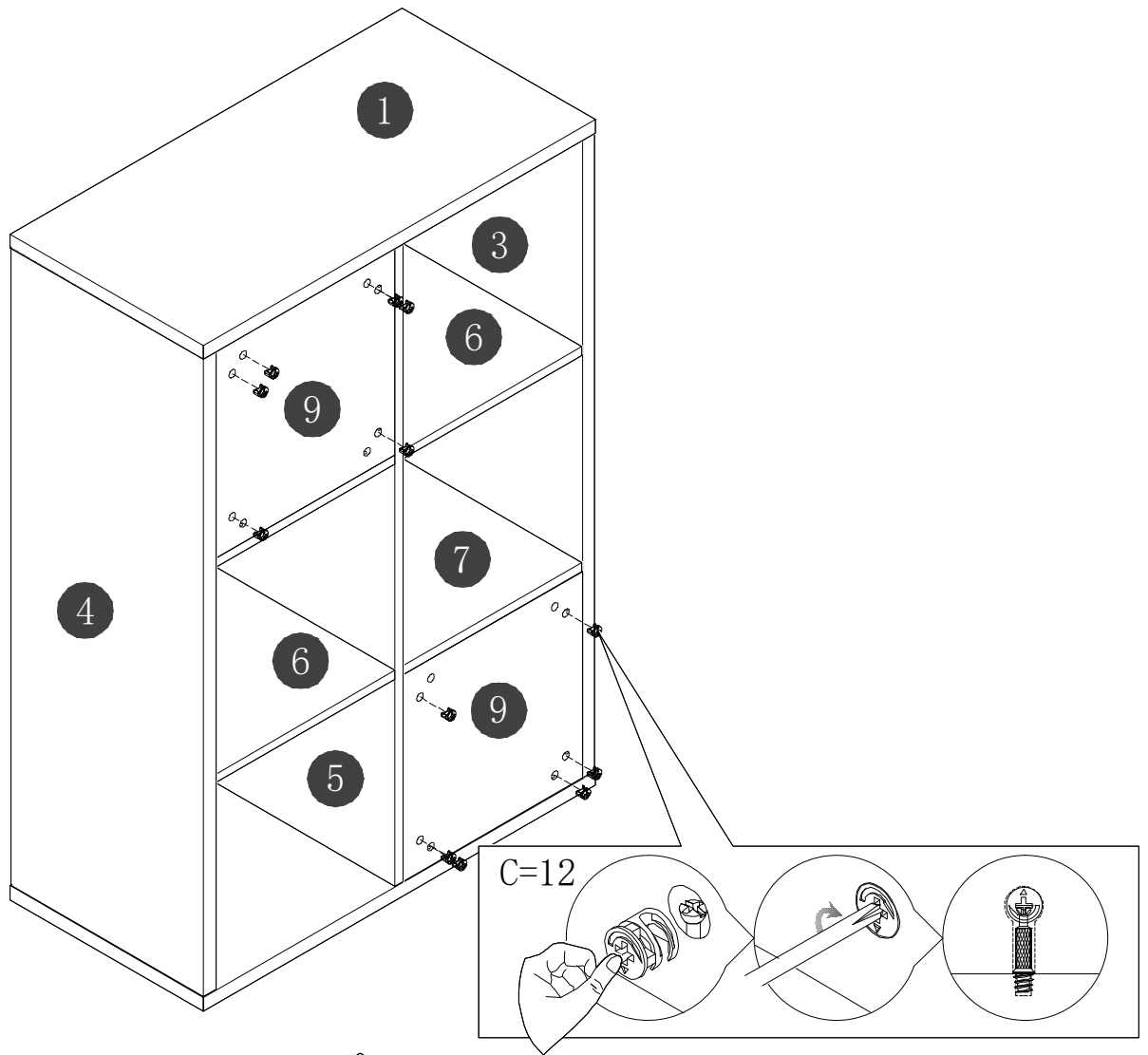
STEP 5



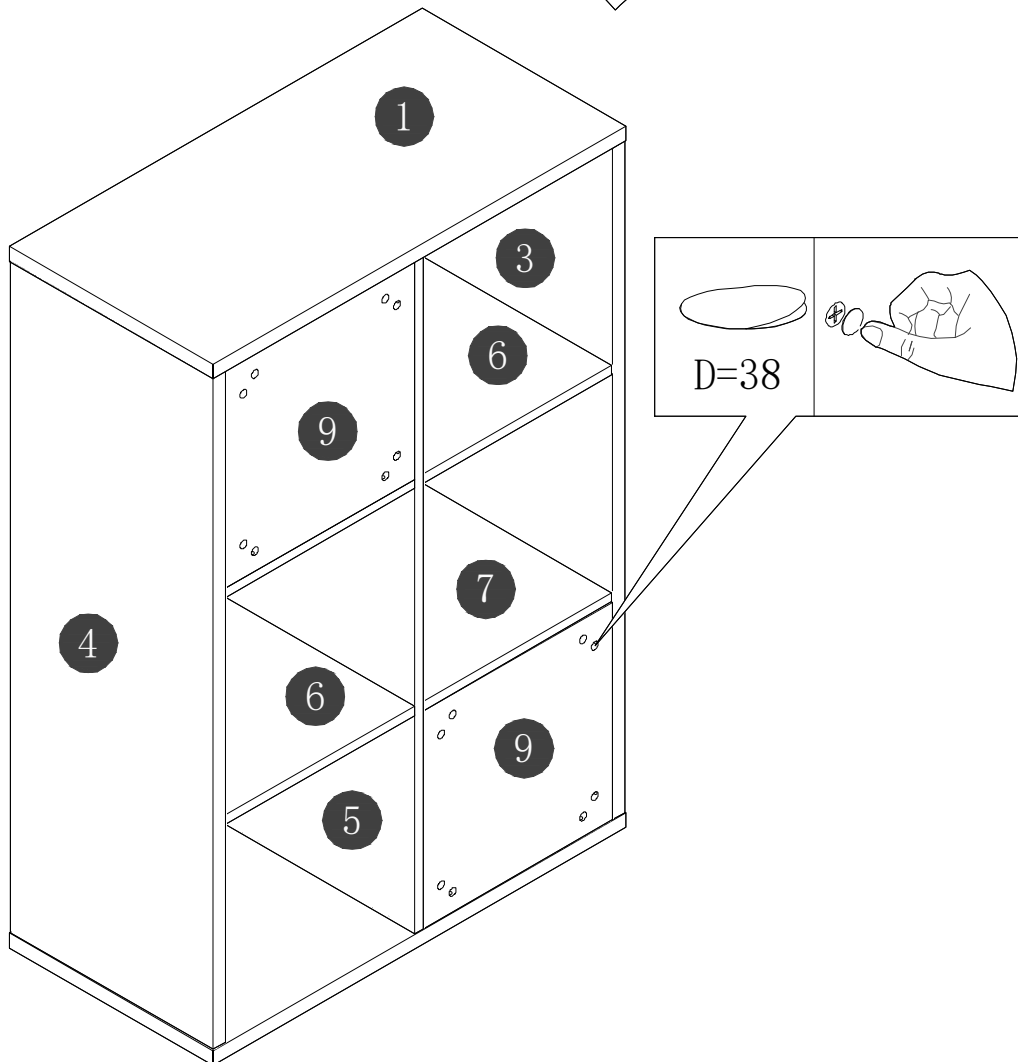
STEP 6



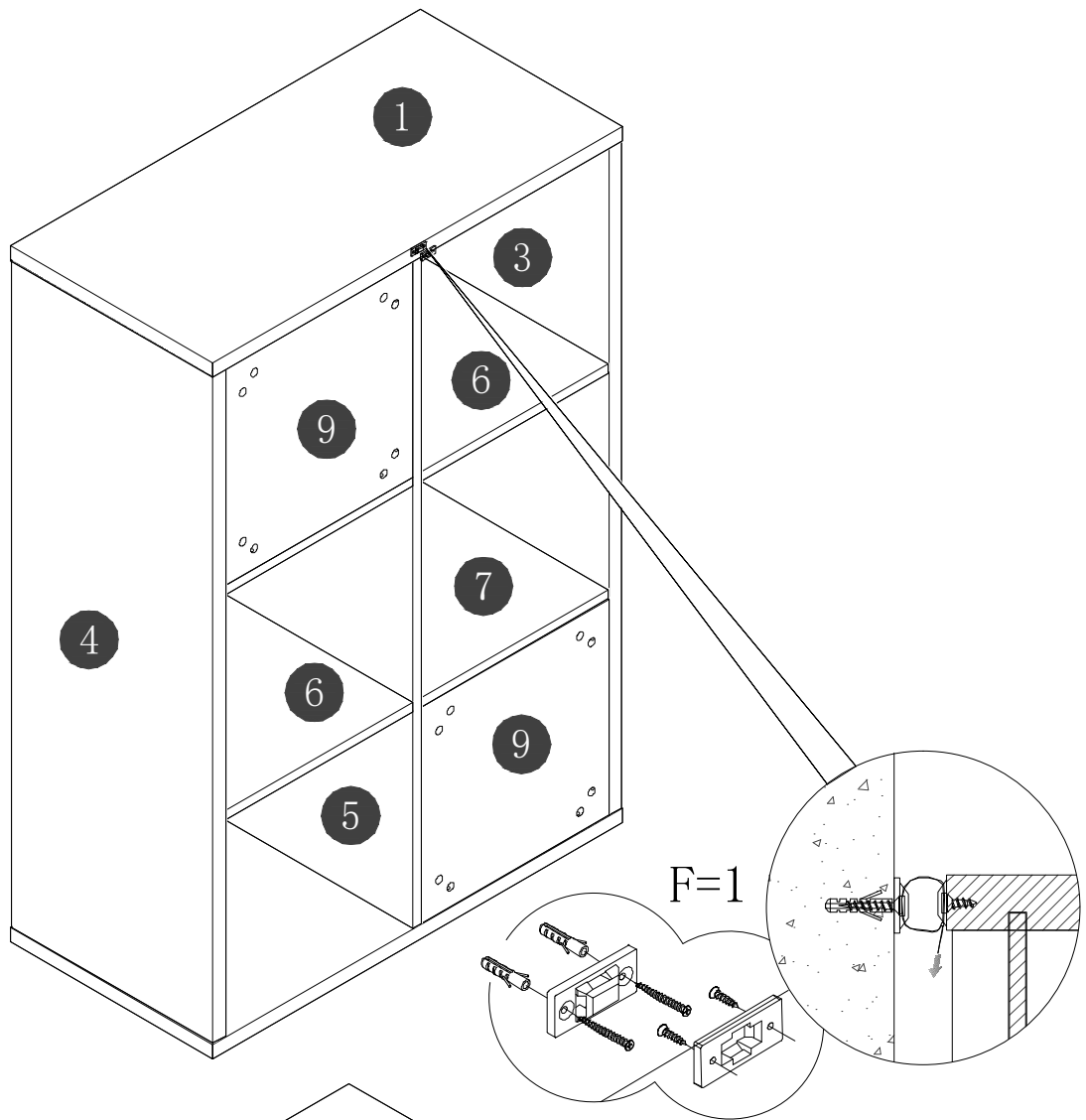
STEP 7



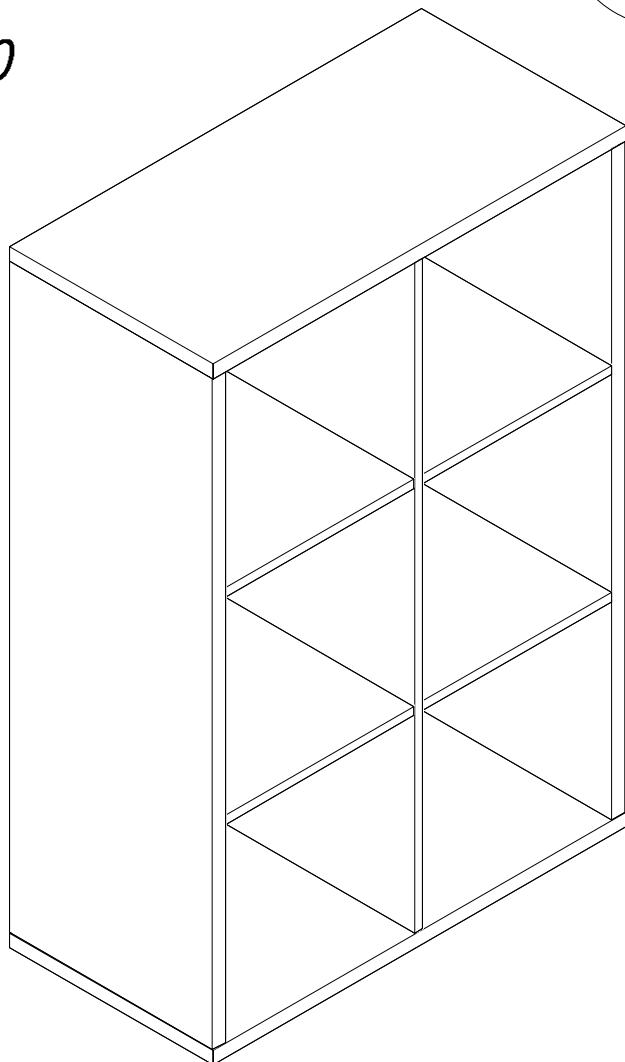
STEP 8



STEP 9



STEP 10



Finish