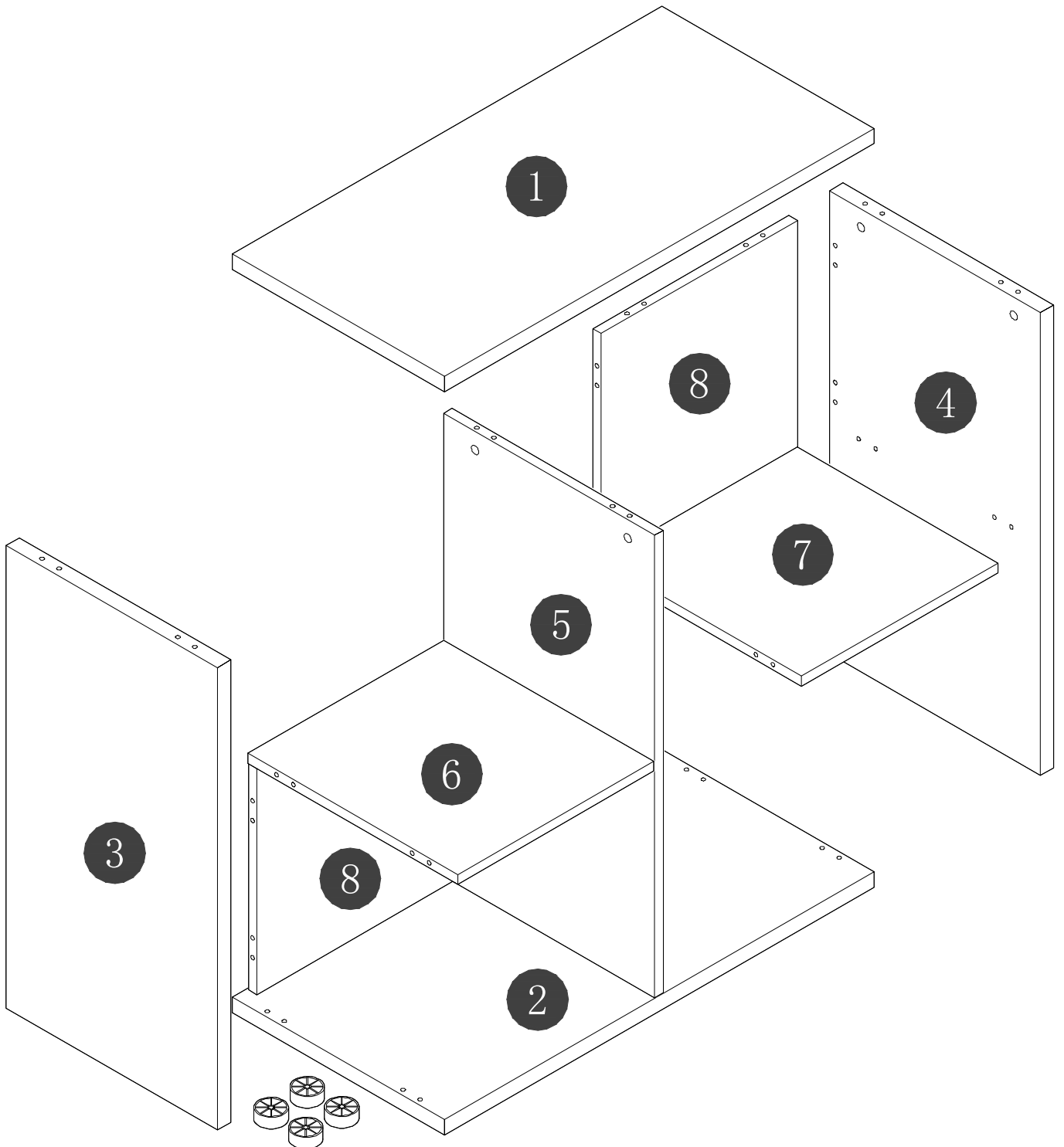


| Panel No | Panel Sizes | Quantity |
|----------|-------------|----------|
| 1 | 810*400*25 | 1 |
| 2 | 810*400*25 | 1 |
| 3 | 756*398*25 | 1 |
| 4 | 756*398*25 | 1 |
| 5 | 756*398*16 | 1 |
| 6 | 370*396*16 | 1 |
| 7 | 370*396*16 | 1 |
| 8 | 370*370*16 | 2 |

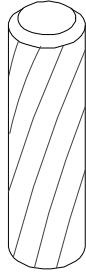


Fittings



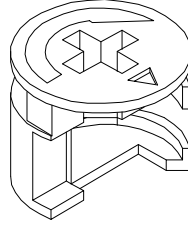
M6*40

A=30



$\Phi 8*30$

B=36



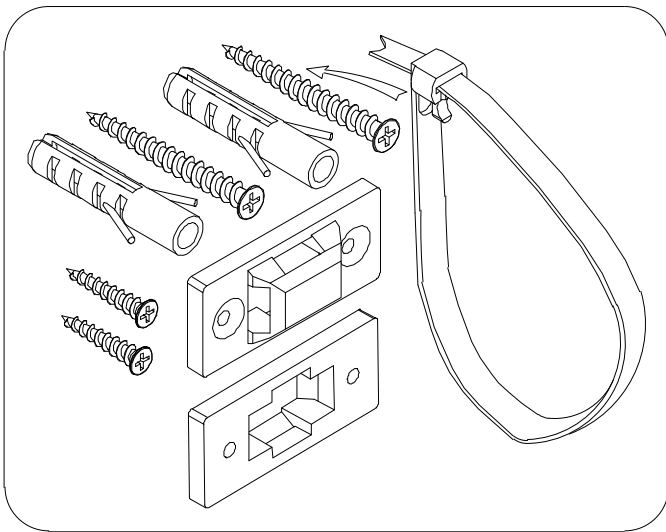
$\Phi 15*12$

C=30



$\Phi 21$

D=30

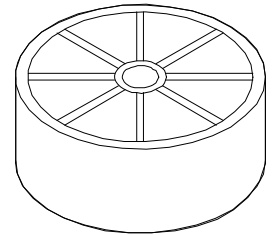


F=1



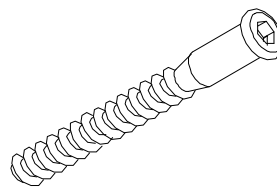
M4

H=1



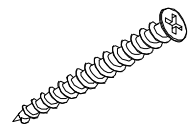
$\Phi 51*24$

J=4



$\Phi 7*50$

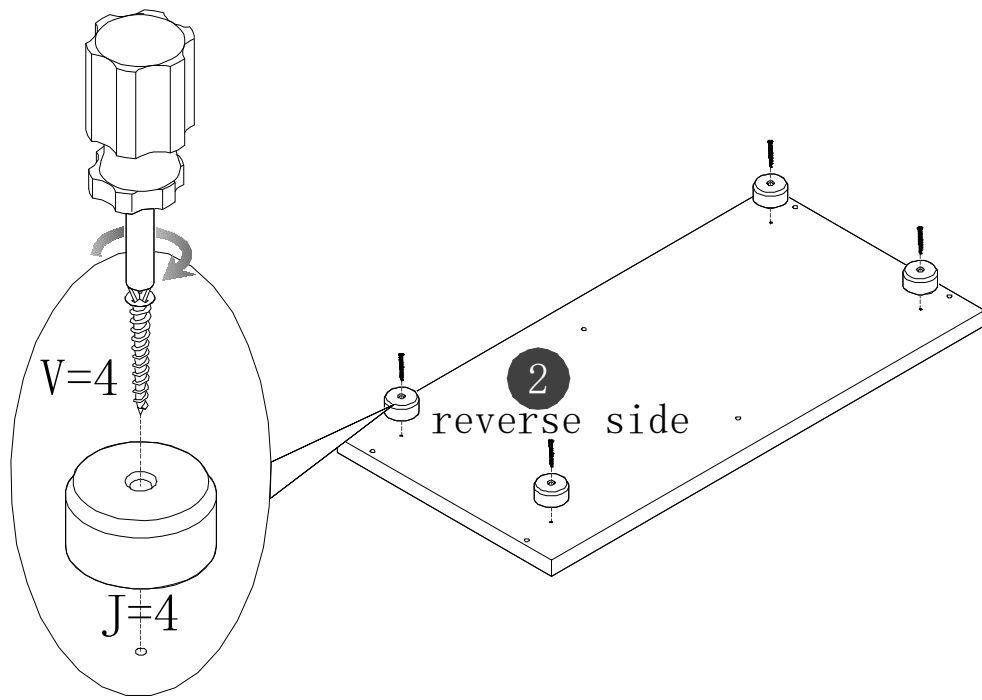
Q=6



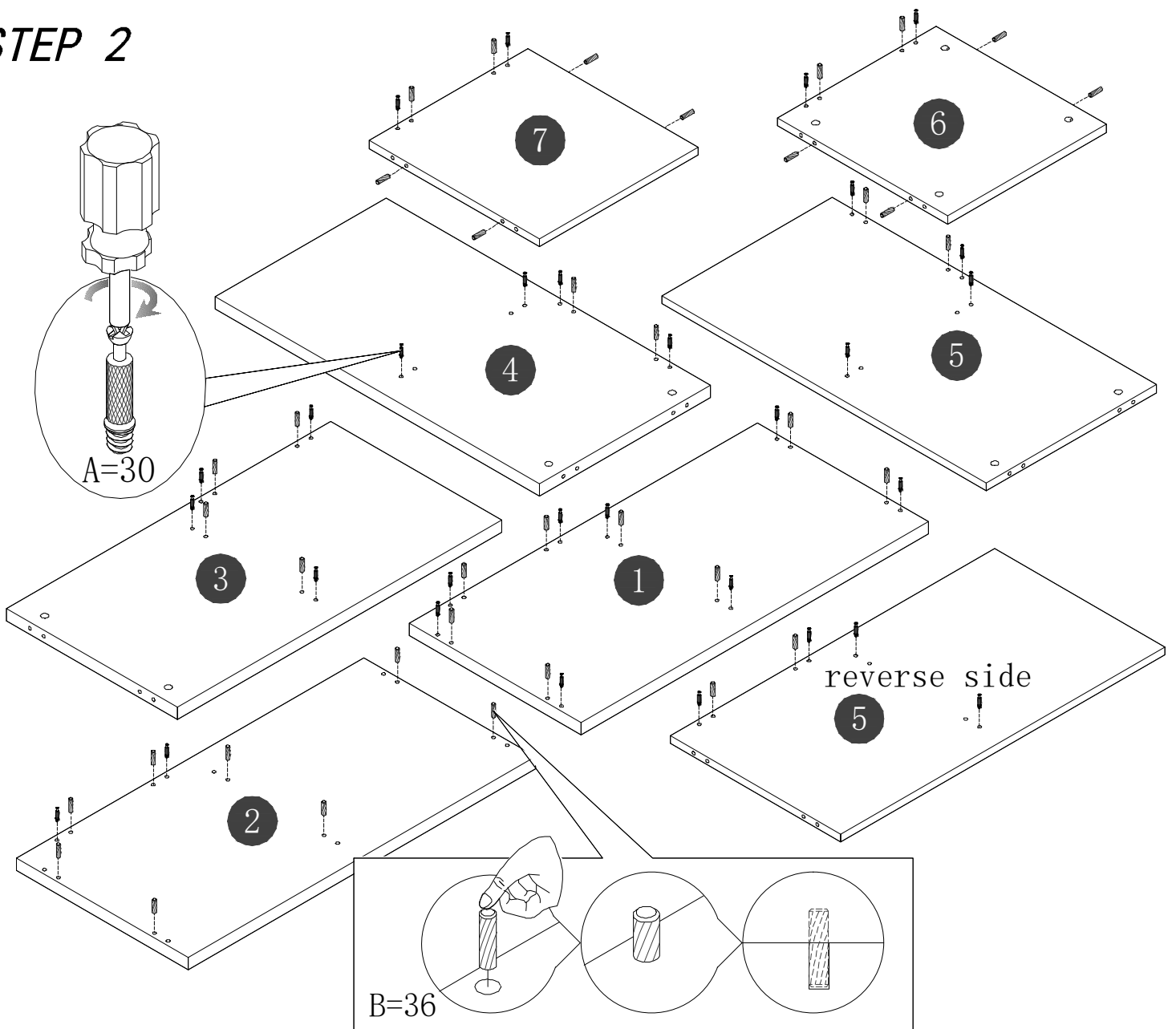
M4*35

V=4

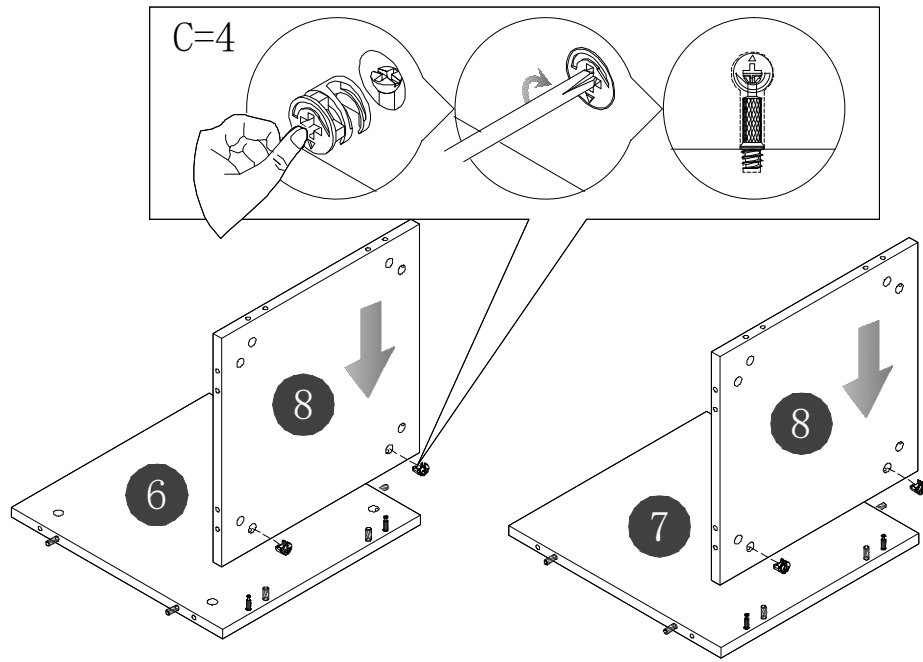
STEP 1



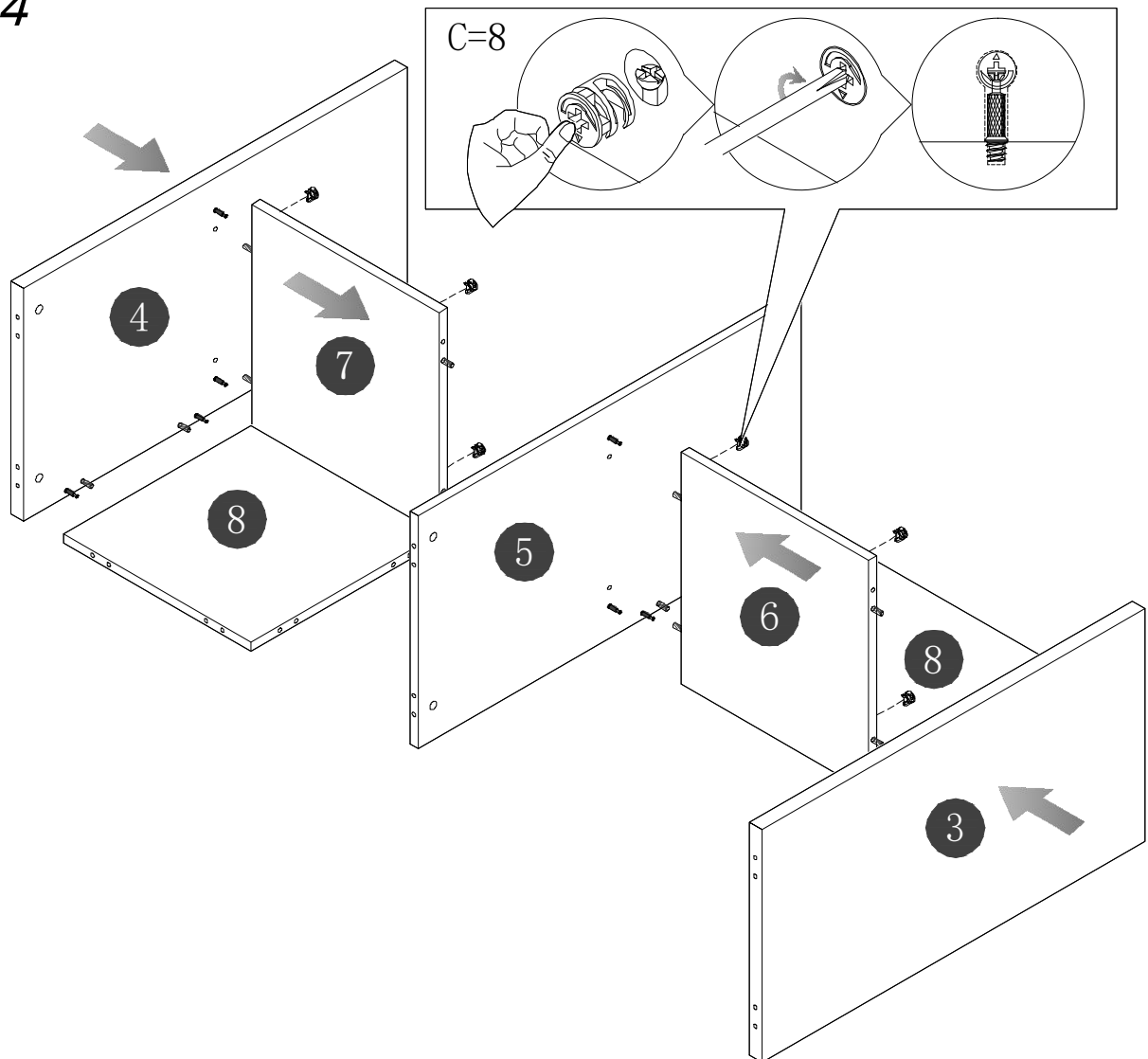
STEP 2



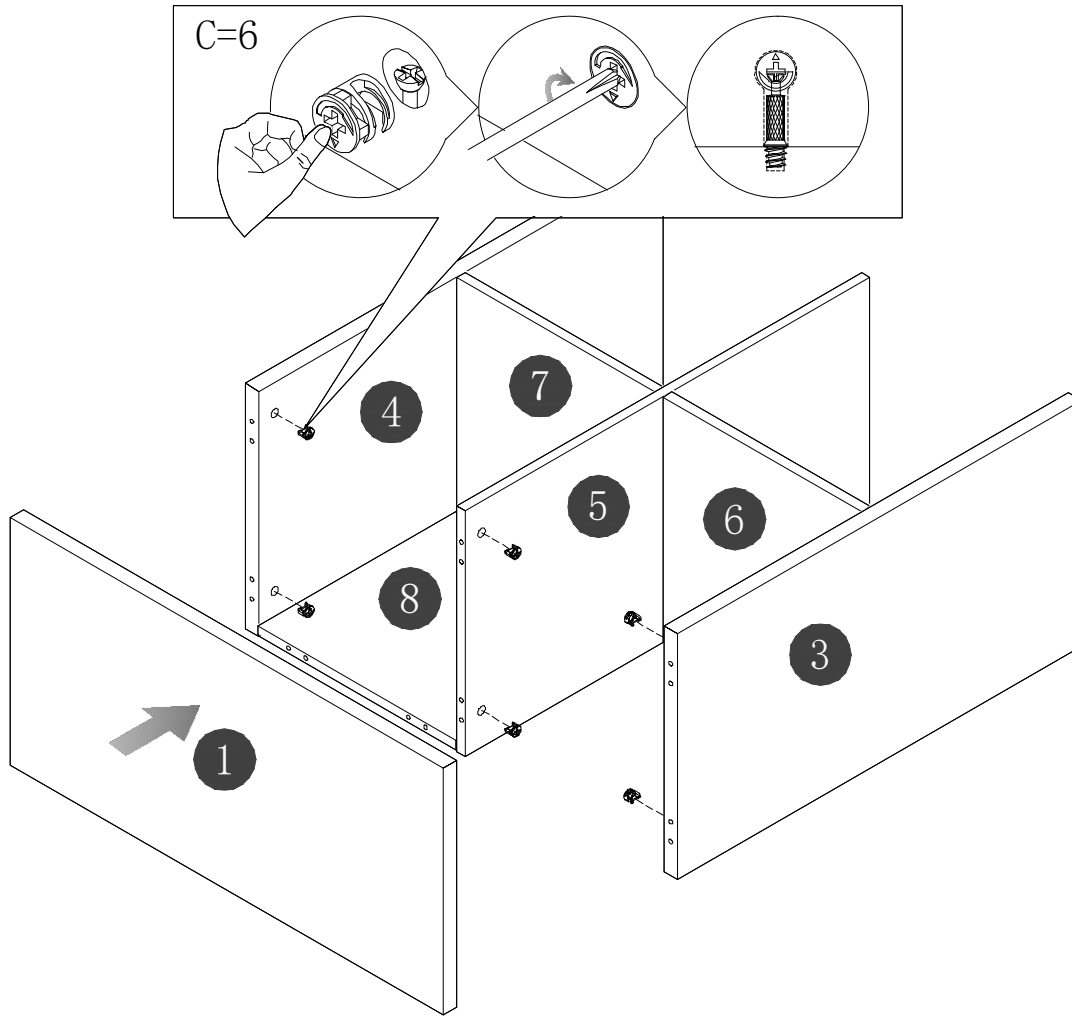
STEP 3



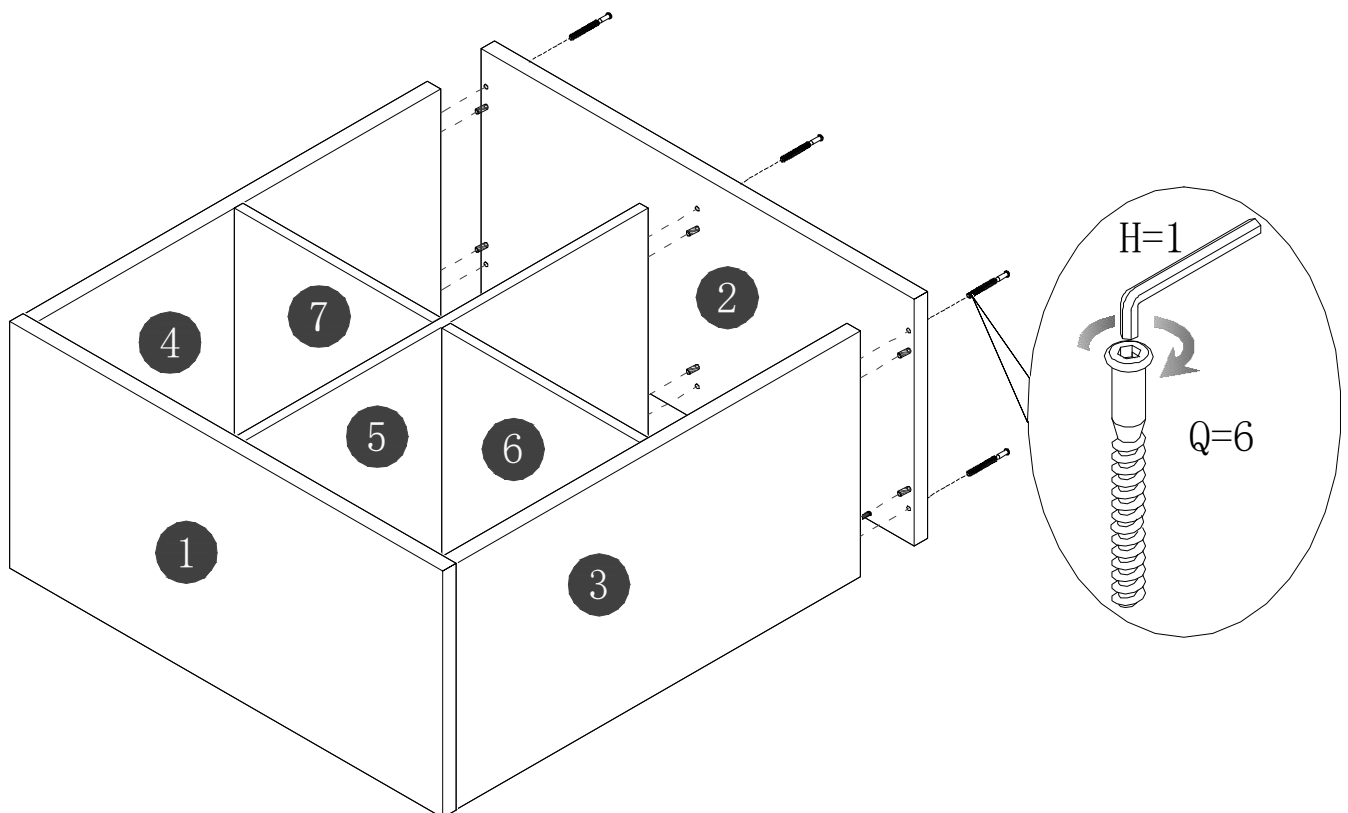
STEP 4



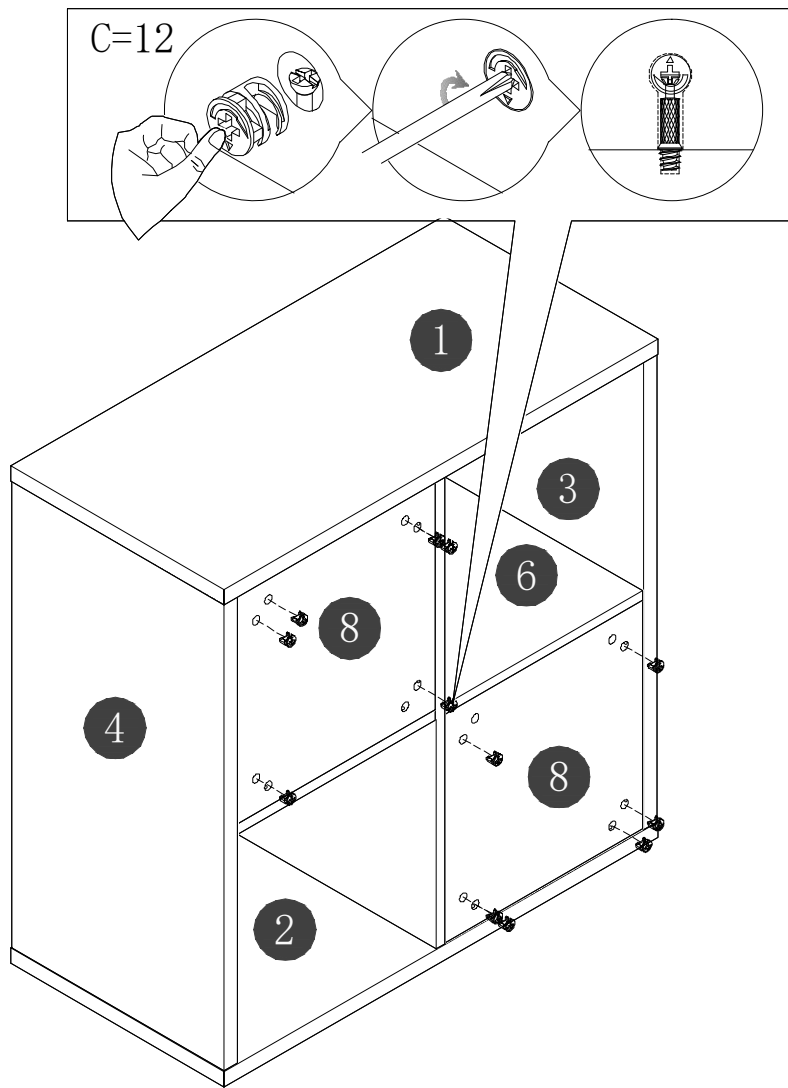
STEP 5



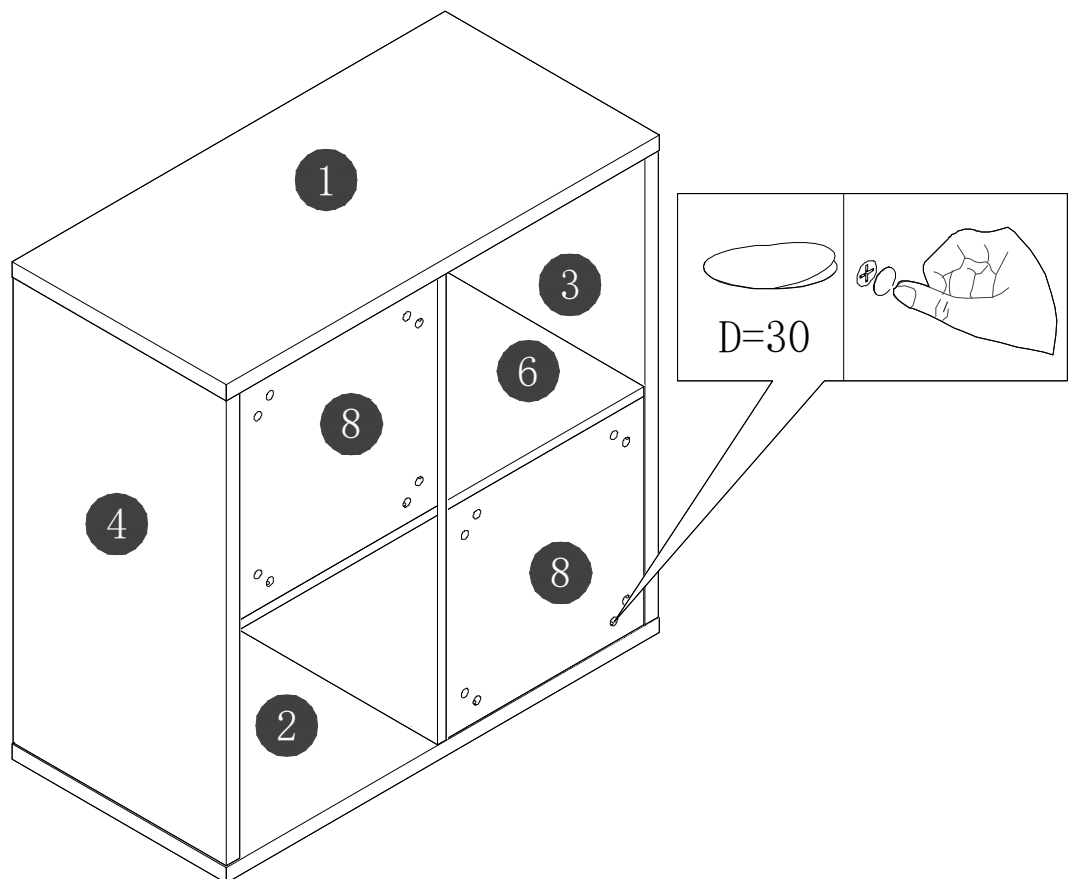
STEP 6



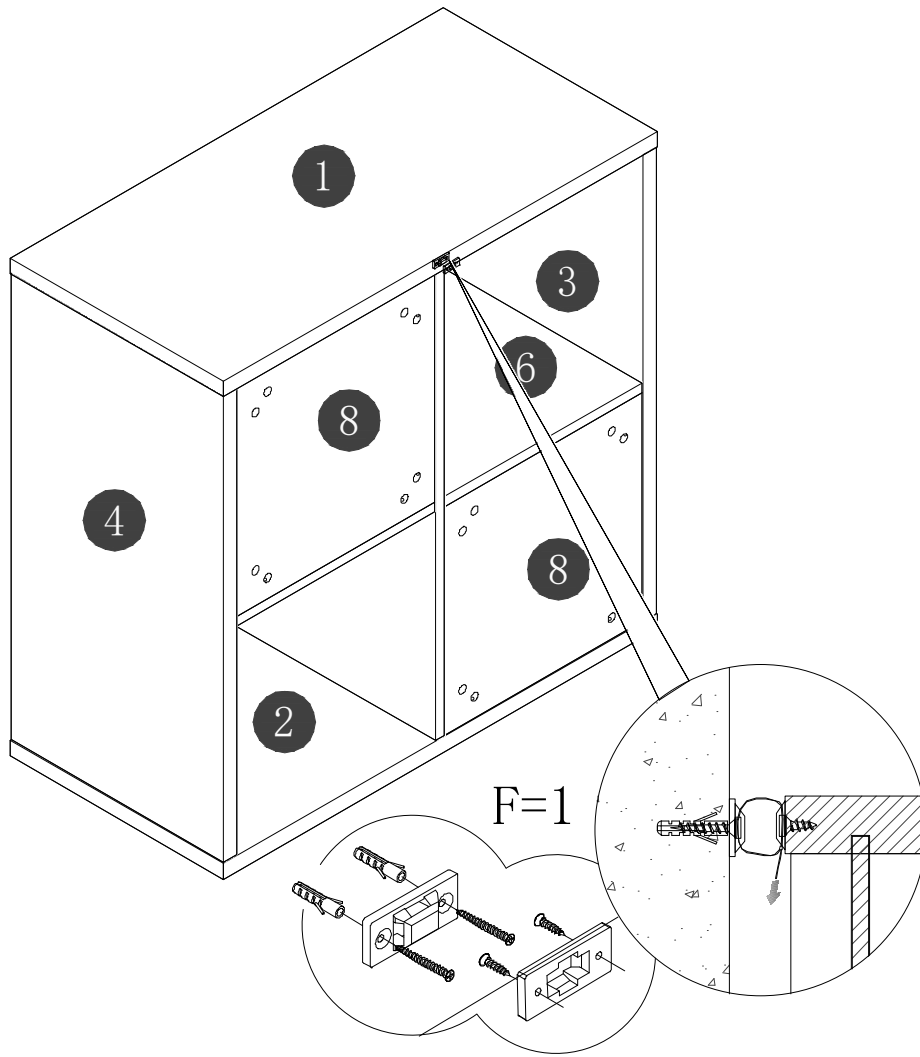
STEP 7



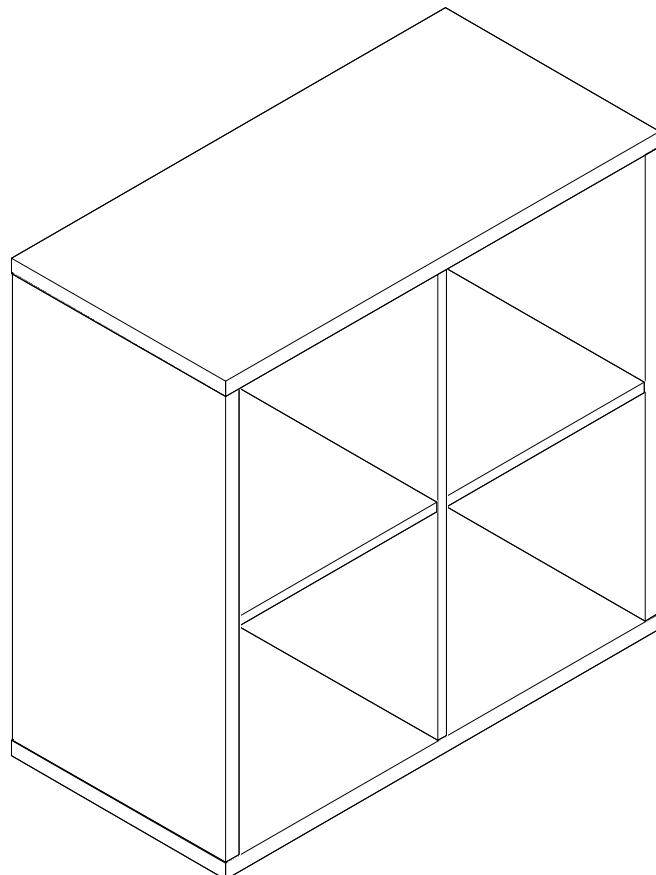
STEP 8



STEP 9



STEP 10



Finish