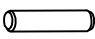
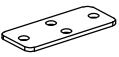
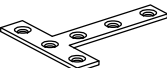
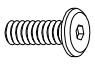
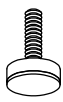
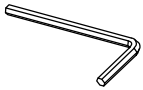
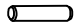
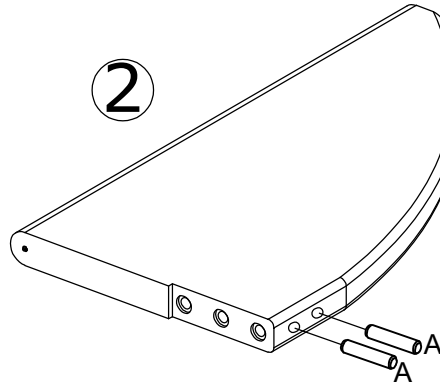





A	 Ø10x30mm	B		C	
x 2		x 3		x 1	
D	 M6x15	E		F	
x 18		x 3		x 1	

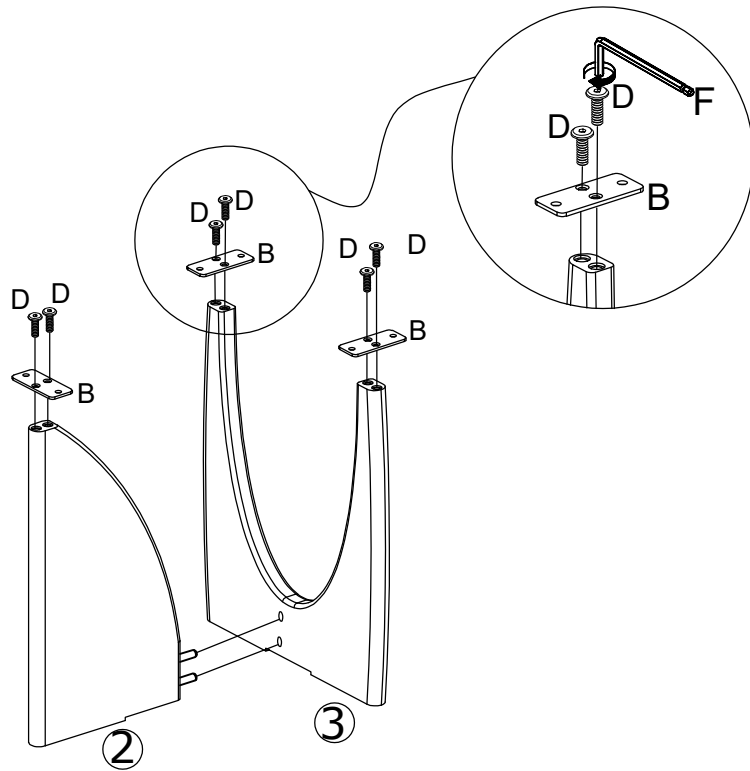
1

A	
x 2	Ø10x30mm





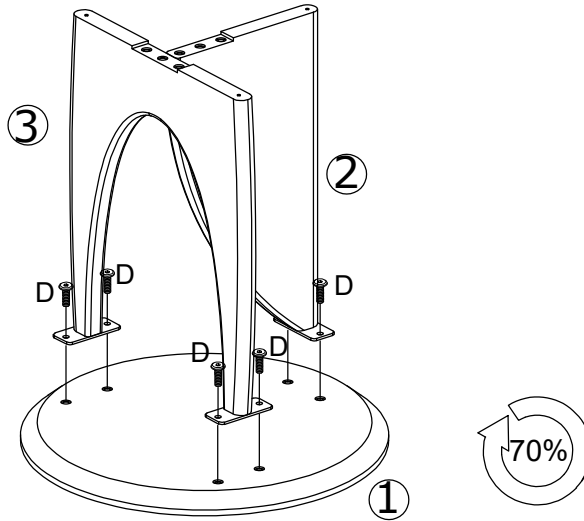
2

B		D		F	
x 3		x 6	M6x15	x 1	







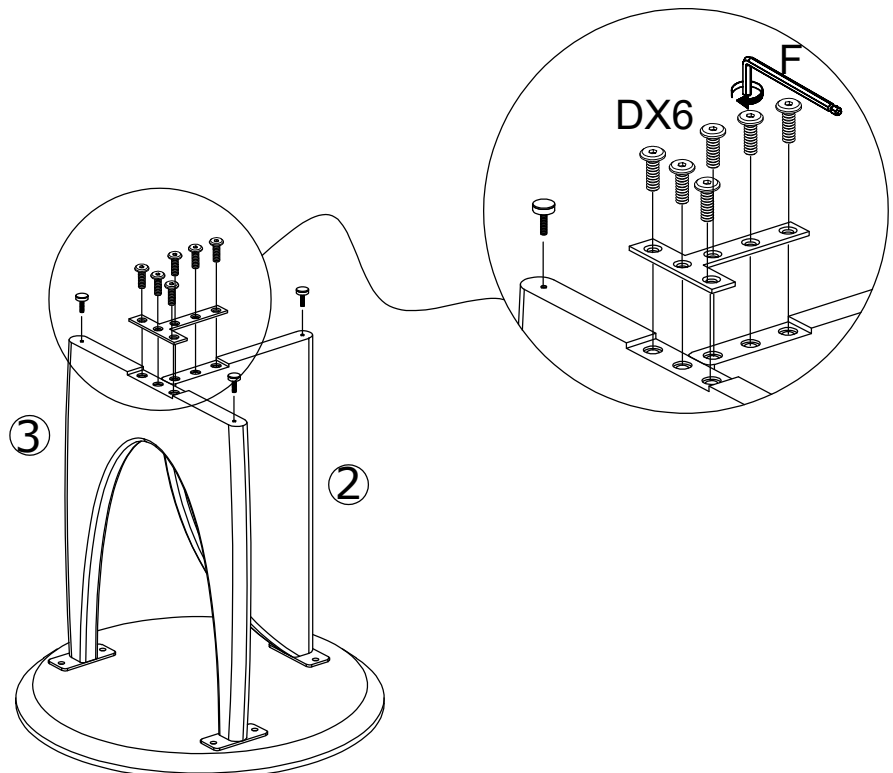
3

D		F	
x 6	M6x15	x 1	

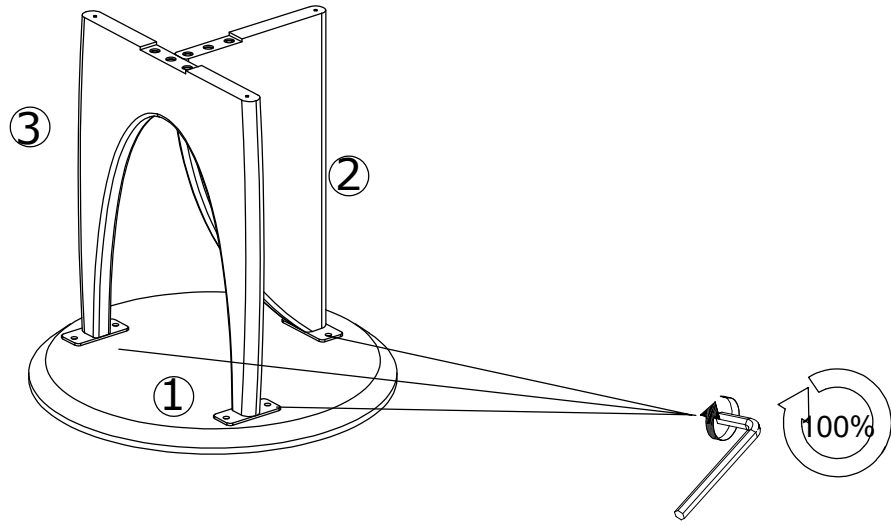


4

C		D		E		F	
x 1		x 6	M6x15	x 3		x 1	



5



6

