
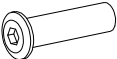
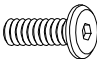
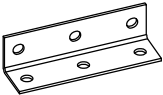
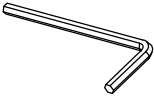

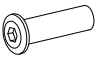
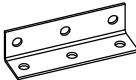
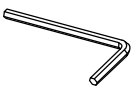
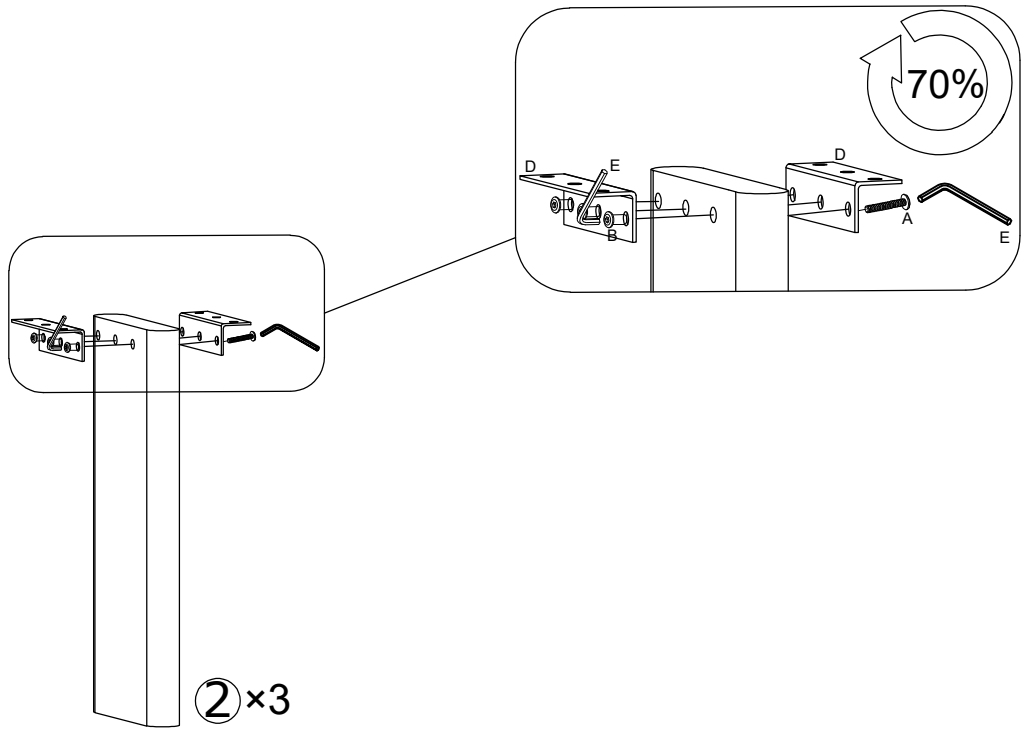




A	 M6×20	B	 M6×25	C	 M6×15
x 9		x 9		x 18	
D		E			
x 6		x 2			

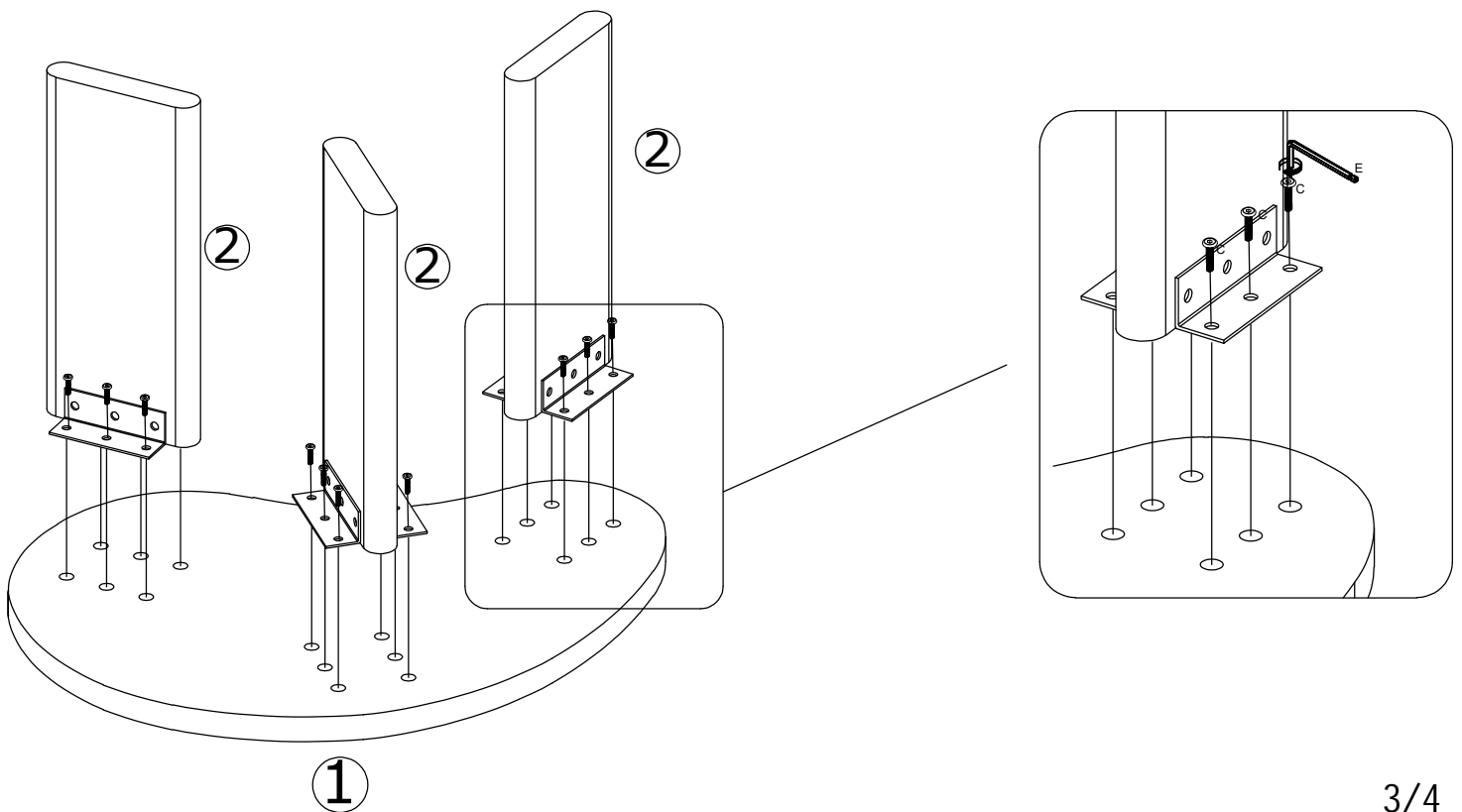
# 1

<b>A</b>	 M6×20	<b>B</b>	 M6×25	<b>D</b>		<b>E</b>	
x9		x9		x6		x2	

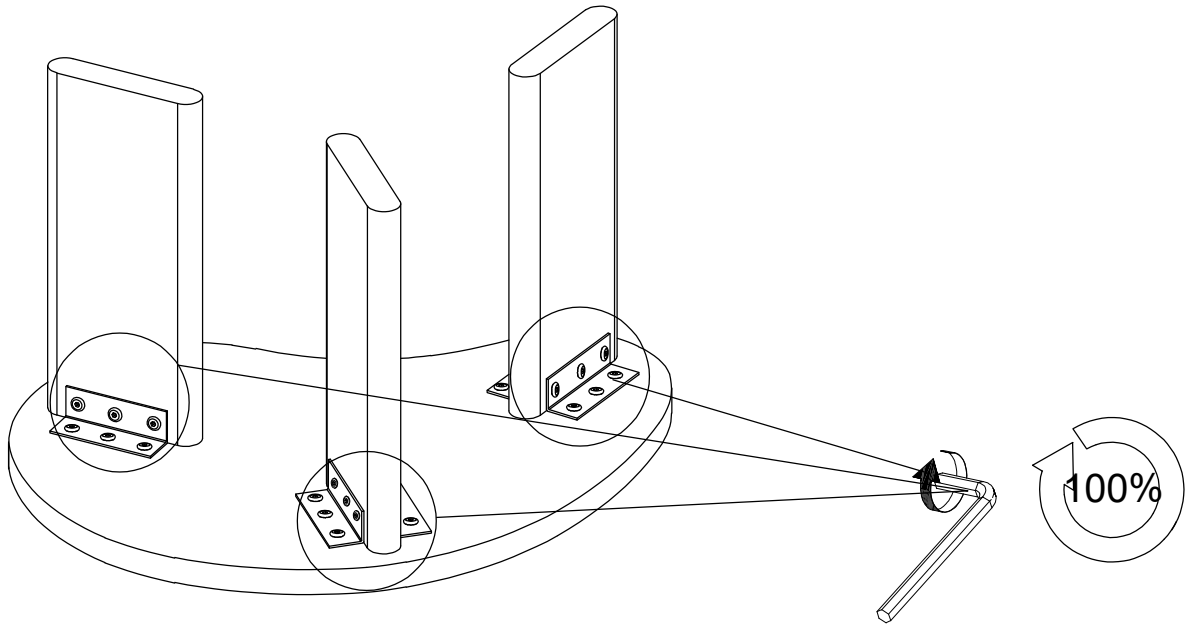
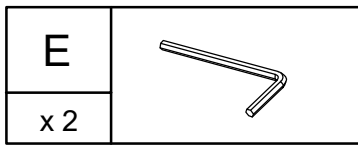


# 2

<b>C</b>	 M6×15	<b>E</b>	
x18		x1	



3



4

