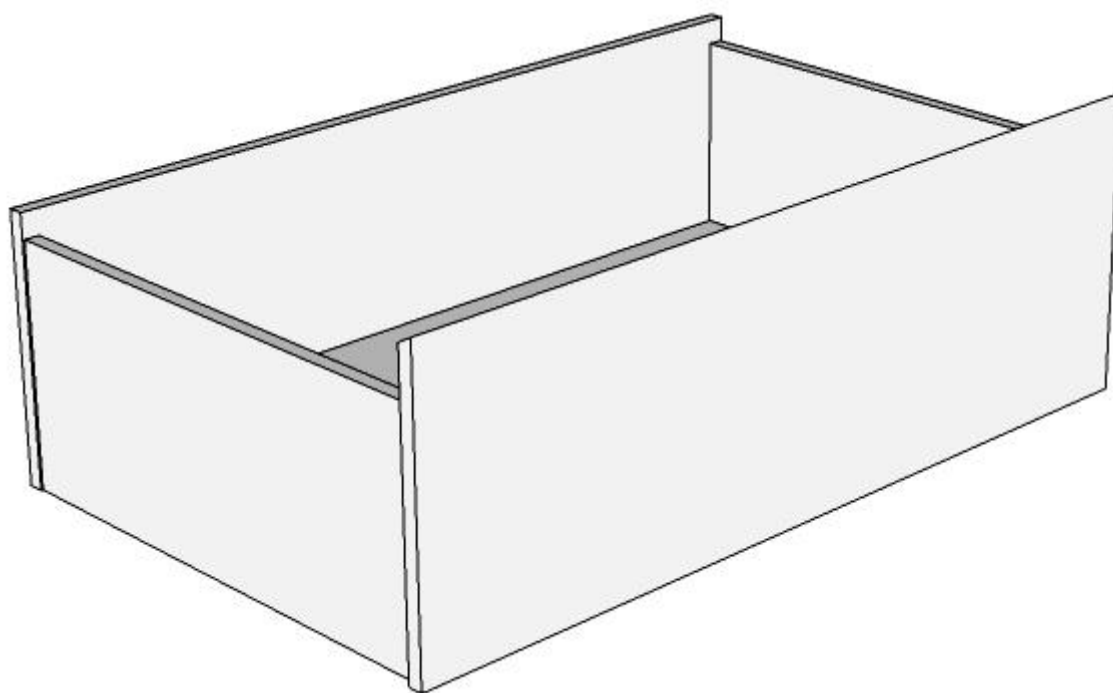


Under Bed Drawer Assembly Instructions



PARTS LIST

Please check you have all the necessary parts before beginning to assemble your Drawer. The measurements provided will help you to identify each part. If any parts are missing or damaged, please contact the manufacturers directly, at 0800 7101010, or email info@platform10.co.nz. Do not call the store you bought the cabinet from as they will be unable to help you.

1010 Wide Drawer - BST10

QTY	PART NAME	MEASUREMENTS	NOTES
1	Drawer Front	1010 x 296 x 15mm	Laminate on both sides
1	LH Drw Side	500 x 200 x 15mm	<i>Green mark on back edge</i>
1	RH Drw Side	500 x 200 x 15mm	<i>Red mark on back edge</i>
1	Drawer Back	1010 x 260 x 15mm	Laminate on both sides
1	Drawer Bottom	976 x 500 x 15mm	Laminate on one side





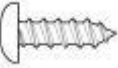
935 Wide Drawer - BST9

QTY	PART NAME	MEASUREMENTS	NOTES
1	Drawer Front	935 x 296 x 15mm	Laminate on both sides
1	LH Drw Side	500 x 200 x 15mm	<i>Green mark on back edge</i>
1	RH Drw Side	500 x 200 x 15mm	<i>Red mark on back edge</i>
1	Drawer Back	935 x 260 x 15mm	Laminate on both sides
1	Drawer Bottom	901 x 500 x 15mm	Laminate on one side

860 Wide Drawer - BST8

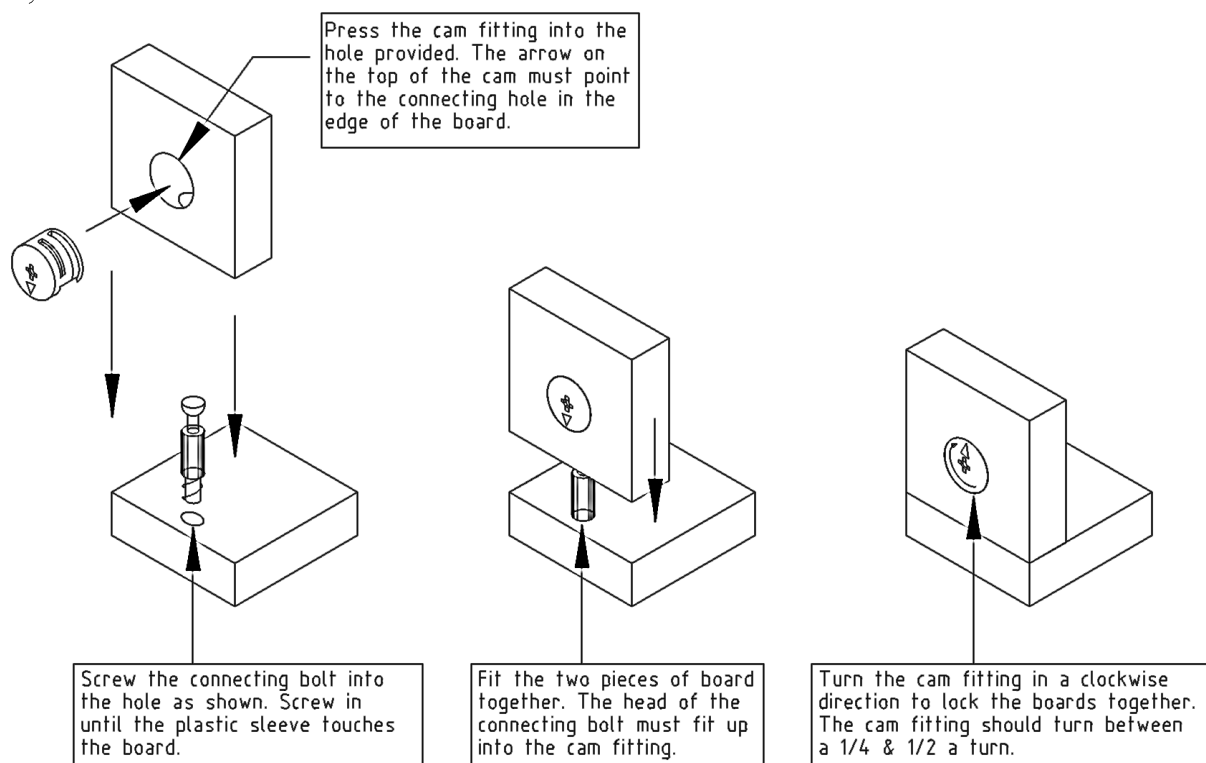
QTY	PART NAME	MEASUREMENTS	NOTES
1	Drawer Front	860 x 296 x 15mm	Laminate on both sides
1	LH Drw Side	500 x 200 x 15mm	<i>Green mark on back edge</i>
1	RH Drw Side	500 x 200 x 15mm	<i>Red mark on back edge</i>
1	Drawer Back	860 x 260 x 15mm	Laminate on both sides
1	Drawer Bottom	826 x 500 x 15mm	Laminate on one side

HARDWARE LIST

X 7	Connecting Bolts	H1		102649
X 7	15mm Cams	H2		102510
X 4	Dowels	H15		102515
X 9	Large Screws	H5		102648
X 8	Small Panhead Screws	H61		102618
X 4	Castors			112872

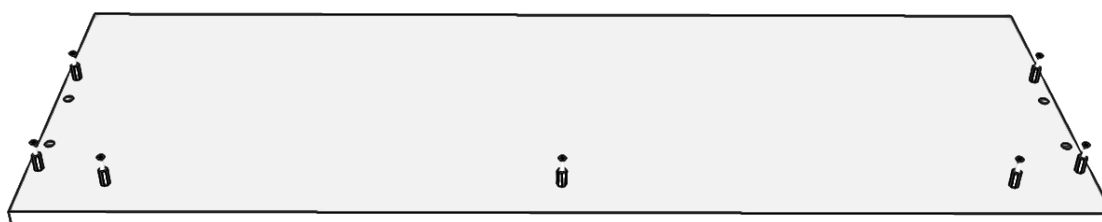
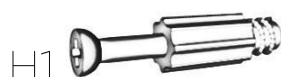
CAM INSTALLATION & OPERATION GUIDE

The Cam and Connecting Bolt system is used to put your unit together. Below is an explanation of how this system works.



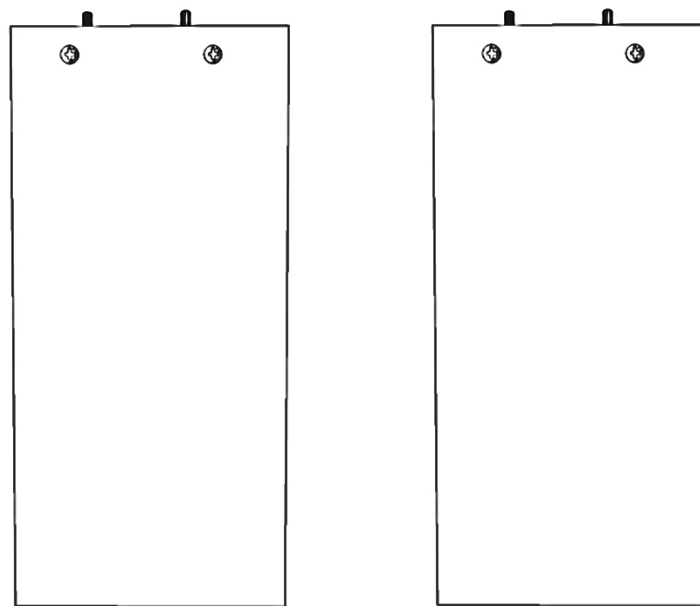
STEP ONE:

Take the DRAWER FRONT, and lay it face down on a clean, clear surface. Install Seven H1 Connecting Bolts in the back of the Drawer Front as shown below.



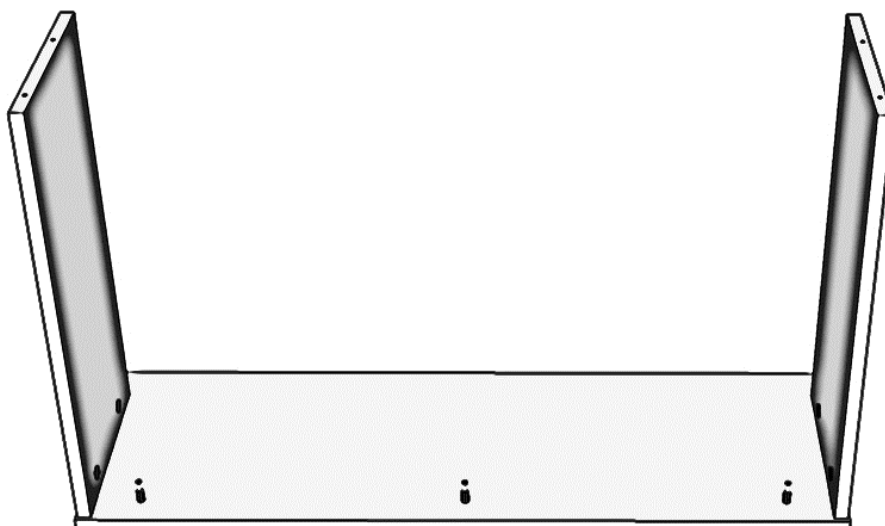
STEP TWO:

Take the LH and RH DRAWER SIDES. Install 2 x H2 Cams and 2 x H15 Dowels in each Drawer Side as shown below. *NOTE: Be sure that the arrow on each Cam points to the end of the Drawer Side nearest it.*



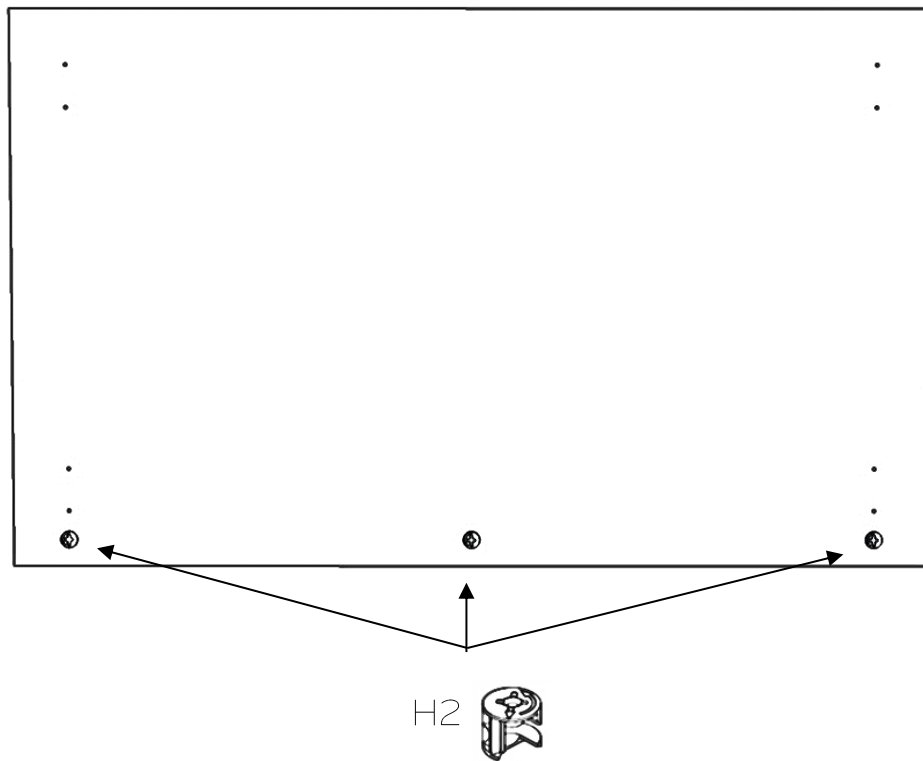
STEP THREE:

Take the LH and RH DRAWER SIDES. Fit the H2 Cams installed in the Drawer Sides to the H1 Connecting bolts installed in the Drawer Front as shown below. Turn the Cams in a clockwise direction to lock the Drawer Sides to the Drawer front - they should turn a $\frac{1}{4}$ to a $\frac{1}{2}$ turn.



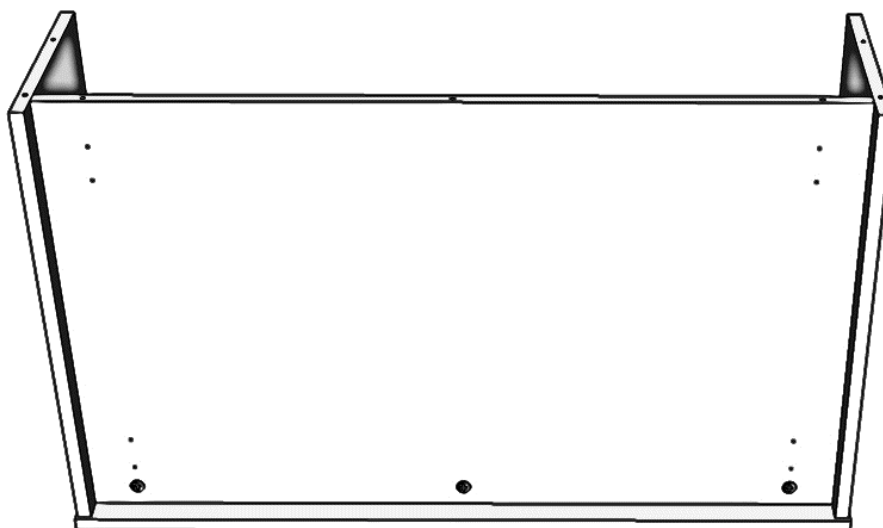
STEP FOUR:

Take the DRAWER BOTTOM. Install 3 x H2 Cams as shown below. *NOTE: Be sure that the arrow on each Cam points to the end of the Drawer Bottom nearest it.*



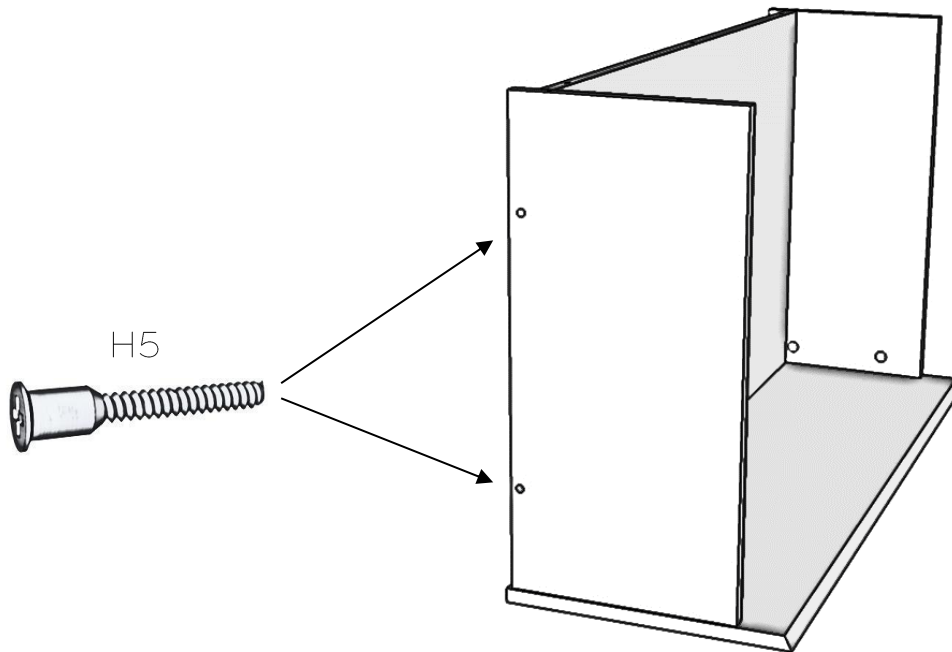
STEP FIVE:

Fit the Drawer bottom to the Drawer Front by fitting the H1 Connecting Bolts installed in the Drawer Front to the H2 Cams installed in the Drawer Bottom. Tighten the Cams by turning in a clockwise direction – they should turn a $\frac{1}{4}$ to a $\frac{1}{2}$ turn.



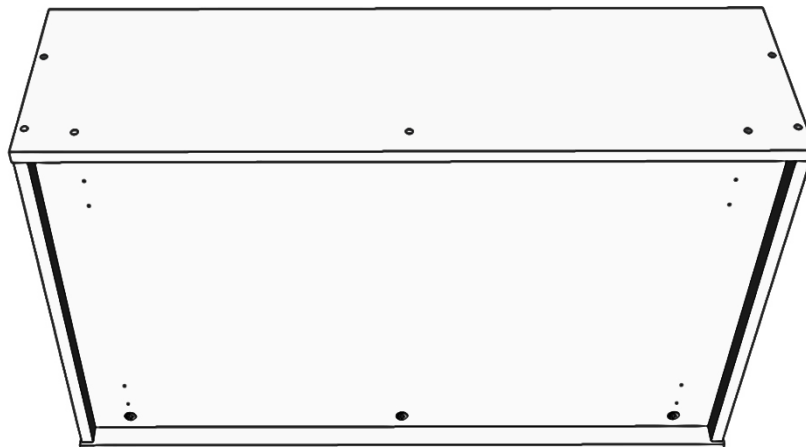
STEP SIX:

Secure the Drawer Bottom to the Drawer Sides by screwing 2 x H5 Large Screws into the predrilled holes in each Drawer Side as shown below.



STEP SEVEN:

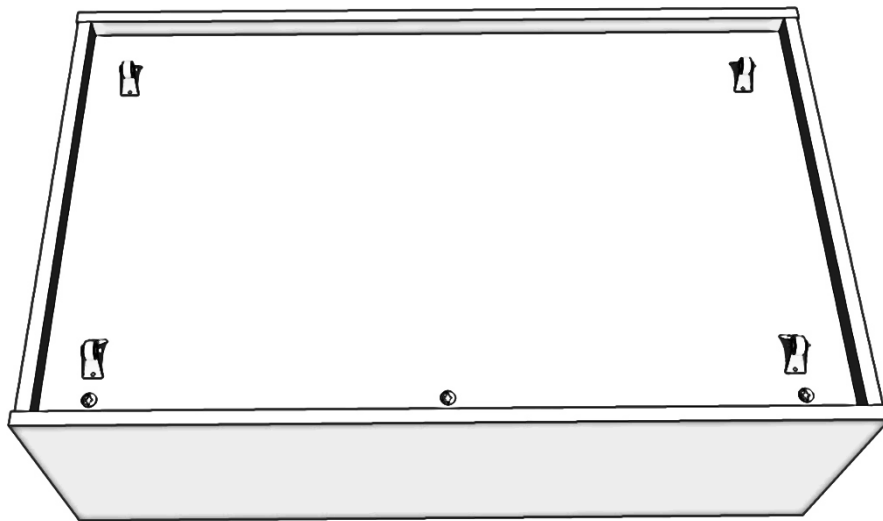
Take the Drawer Back. Secure the Drawer Back to the Drawer Sides and Drawer bottom by screwing 7 x H5 Large Screws into the predrilled holes in the Drawer Back as shown below.



STEP EIGHT:

Turn the Drawer upside down, so the Drawer Bottom is facing up. Take the Four Castors, and the 8 x H61 Small Panhead Screws. Screw the Castors to predrilled holes in the Drawer Bottom as shown below, using the H64 Small Panhead Screws.

H61 



CONGRATULATIONS!

Your Under Bed Storage Drawer is now complete – Enjoy.

