

GENERAL INFORMATION

* TIPS FOR ASSEMBLY

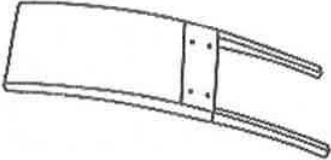
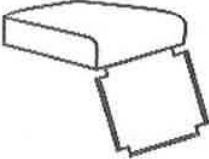




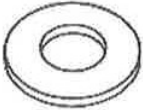

PLEASE READ THESE ASSEMBLY INSTRUCTION PRIOR TO ASSEMBLING.

TO AVOID DAMAGE, ASSEMBLE THE CHAIR ON A NON-ABRASIVE SURFACE, EG, A CARPET
MAKE SURE ALL BOLTS ARE TIGHTLY FASTENED BEFORE THE CHAIR IS USED.

* CARE AND MAINTENANCE

SPRAY AND CLEAN WITH A SOFT CLOTH USING A MUTI-PURPOSE,
NON ABRASVIE CLEANING PRODUCT.

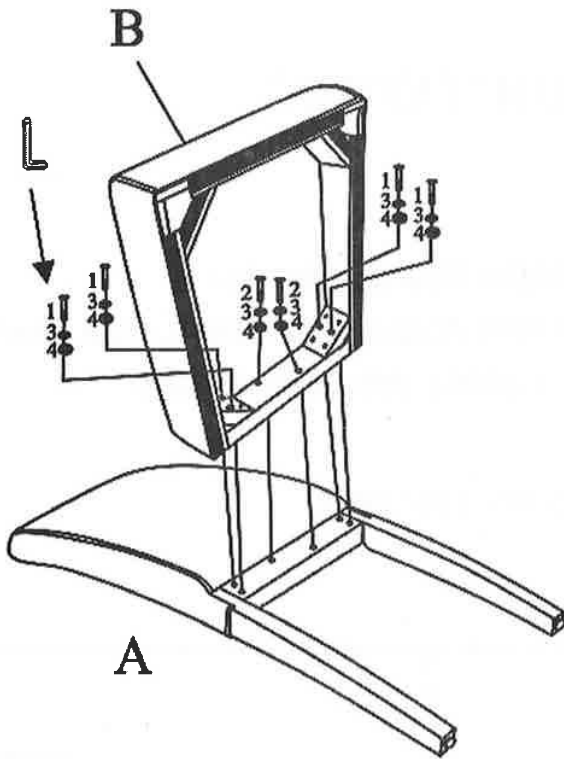
* PART AND HARDWARE LIST

A		B		C	
					
Chair Back	1PC	Seat	1PC	Front Leg	2PCS
1		2		3	
					
8mm in Dia. X 85mm in L.		8mm in Dia. X 60mm in L.			
Long Bolt	4PCS	Short Bolt	6PCS	Spring Washer	10PCS
4		5			
					
Flat Washer	10PCS	Allen Key	1PC		

Assembly Instructions

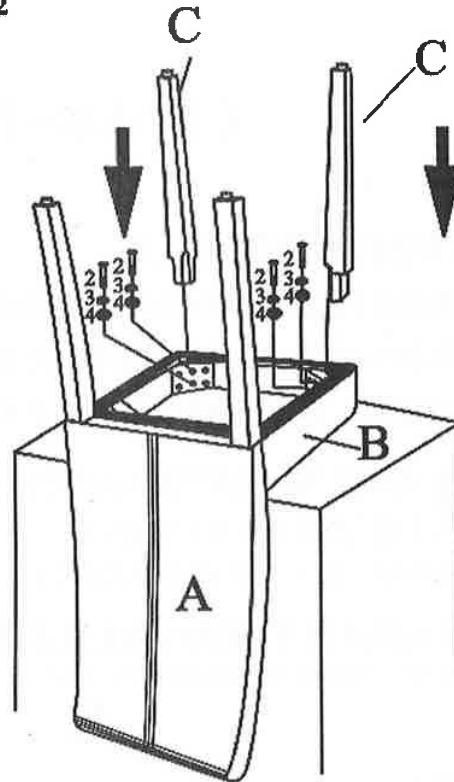
Do not fasten any screws until the chair is fully assembled.

STEP 1



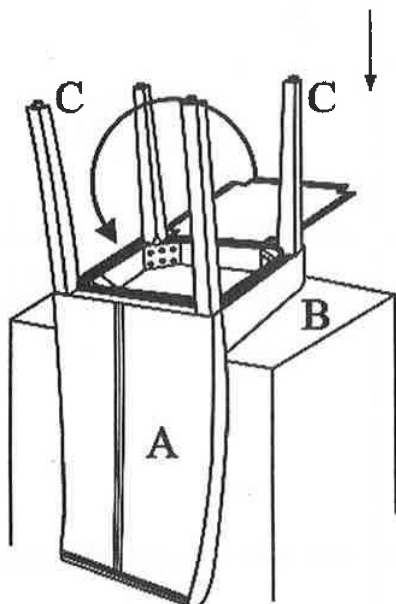
Attach the Seat (B) to the Chair Back (A) using four Long Bolts (1), two Short Bolts (2), six Spring Washers (3) and six Flat Washers (4), and with the provided Allen Key (5).

STEP 2



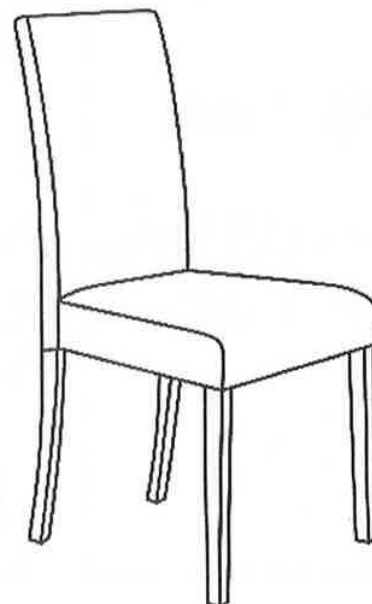
Place the Seat (B) upside down on a non-abrasive table surface. Assemble the Front Legs (C) to the front of the Seat (B) using four Bolts (2), four Spring Washers (3) and four Flat Washers (4), with the provided Allen Key (5).

STEP 3



Place the Vinyl Flap to the bottom of the Seat (B), using the adhesive strip as shown.

STEP 4



Finally, ensure the Chair is level on the floor and then fully tighten all the Bolts. Now the chair is completely assembled.

Furniture Care and Cleaning

FOLLOWING THESE FEW BASIC STEPS WILL HELP YOU ENJOY AND PROTECT YOUR INVESTMENT FOR YEARS TO COME.

Do not expose your furniture to any liquids.

All liquids should be blotted up immediately with a soft, slightly damp cloth in the direction of the wood grain. For stone surfaces, liquids should be immediately soaked up with a paper towel and wiped dry to avoid any staining.

Do not expose your furniture to strong or direct sunlight, heat outlets, open windows and dampness.

Excessive exposure to sunlight can cause fading of your furniture finish. Extreme temperatures and humidity changes can cause cracking and splitting.

Do not place rubber or plastic materials on the wood finish.

Chemicals within the plastic or rubber may react with the finish if left in contact for a long period of time. Place a strip of felt or cork under your accessories to avoid any markings.

Never place hot objects on any furniture surface.

Always use coasters, placemats, and table cloths between your furniture top and a hot object to protect your furniture.

Dust with a clean, damp, lint free cloth.

Frequent dusting will remove abrasive build up, which can damage a finish over time, polish every 4-6 months. Small scratches and mars can be touched up or covered with a mar or scratch remover or a touch up stick. These can be purchased from any paint or hardware store.

Lift and place items instead of sliding across furniture surfaces