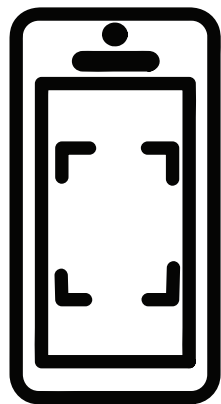
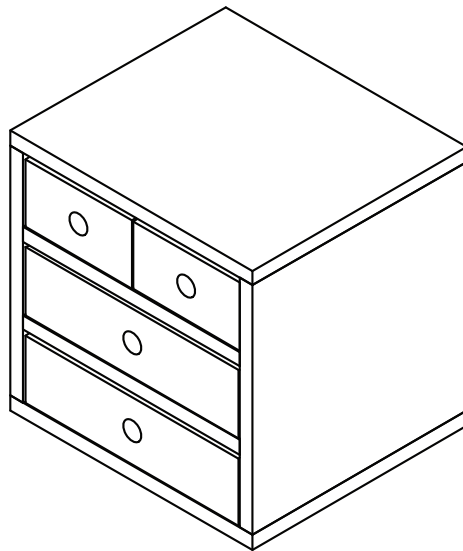


TIPS

- 1 Please review all parts and hardware before disposing of any packaging.
- 2 Check to be sure that all parts and hardware are complete before you start assembly.
- 3 Before beginning assembly, separate each type of screw.
- 4 **Using a screw that is too long will cause damage.**
- 5 Carefully study the screw diagrams below.
- 6 You may receive extra hardware with your unit.
- 7 Place all parts on a clean and smooth surface to avoid the parts from being scratched.
- 8 Keep the product away from heat and humidity.
- 9 Light blue stains and natural wood knots on the product are not considered defects.
- 10 Before start assembly, please categorize the hardware.

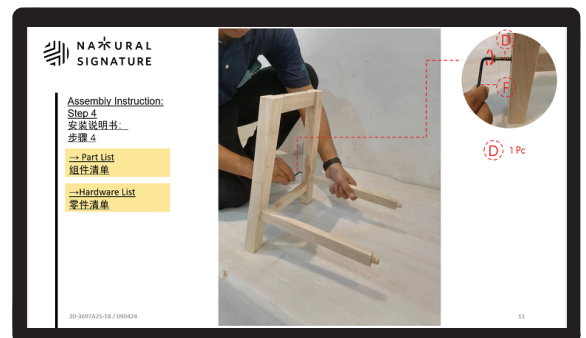
Required :
45 minutes



SCAN ME

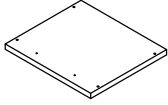


For Step-By Step Real Photo Assembly Instructions.

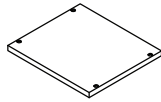


PART LIST

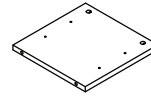
A Top Panel
1 Pc



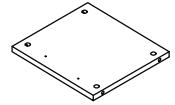
B Bottom Panel
1 Pc



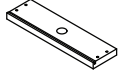
C Side Panel
2 Pcs



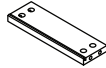
D Center Panel
2 Pcs



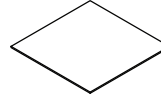
E Drawer Head (Big)
4 Pcs



F Drawer Side Panel
8 Pcs



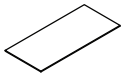
G Drawer Bottom Panel (Big)
2 Pcs



H Drawer Head (Small)
4 Pcs



I Drawer Bottom Panel (Small)
2 Pcs



HARDWARE LIST *Before start assembly, please categorize the hardware.

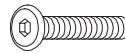
a Minifix Cam
44 Pcs



b Minifix Bolt
44 Pcs



c JCBC Screw M6 x 35mm
4 Pcs



d CSK c/b Screw M3.5 x 16mm
4 Pcs



e Plastic Drawer Stopper
4 Pcs

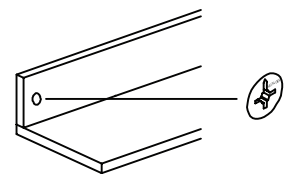
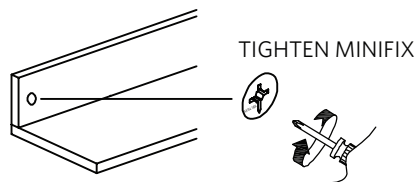
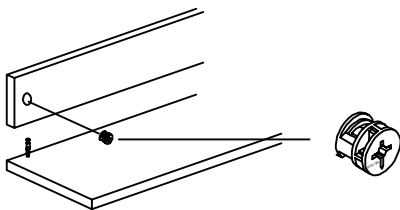


f Allen Key M4
1 Pc



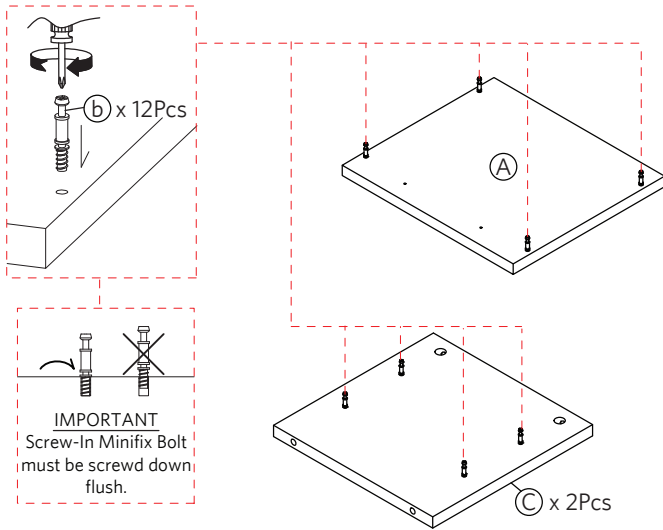
ATTENTION :

MINIFIX MUST BE USED IN THE CORRECT WAY :

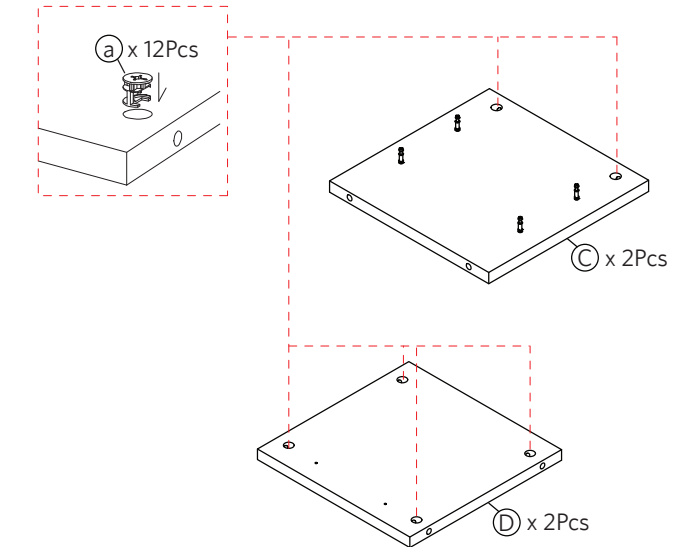


ASSEMBLY INSTRUCTIONS

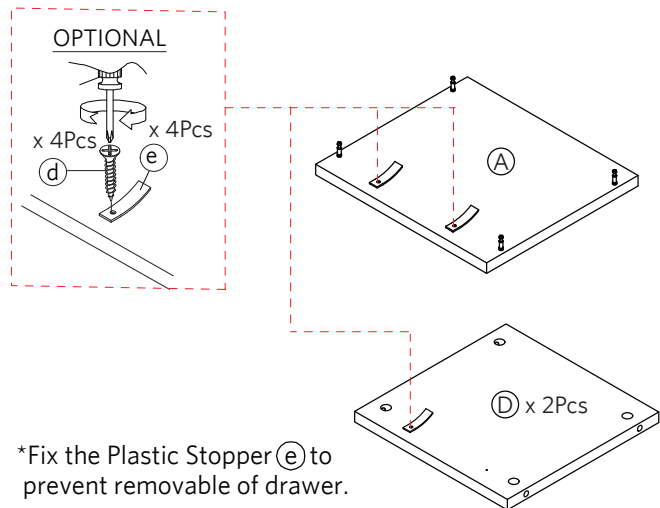
1 STEP 1



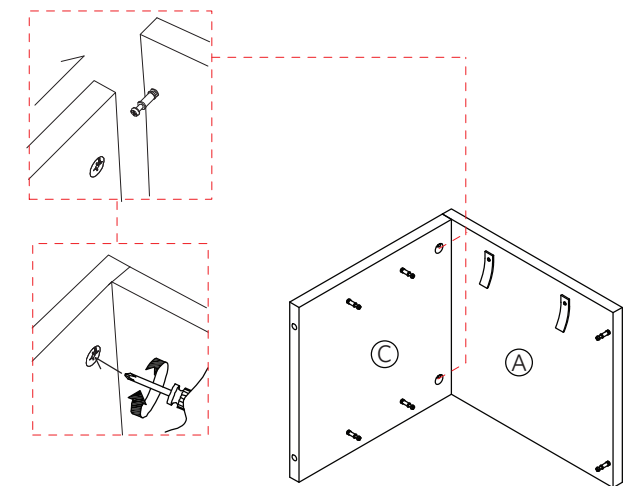
2 STEP 2



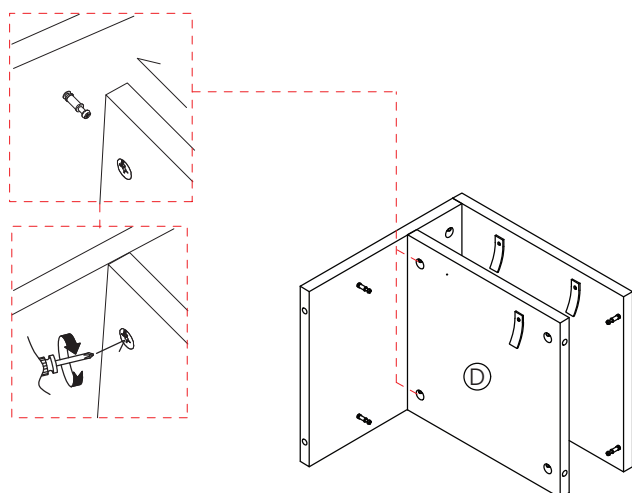
3 STEP 3



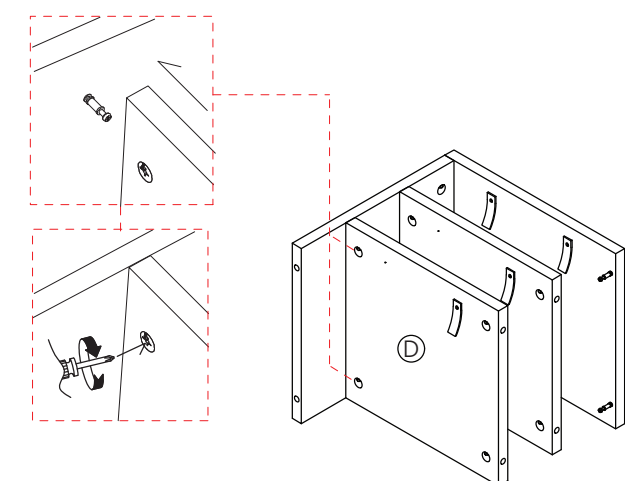
4 STEP 4



5 STEP 5

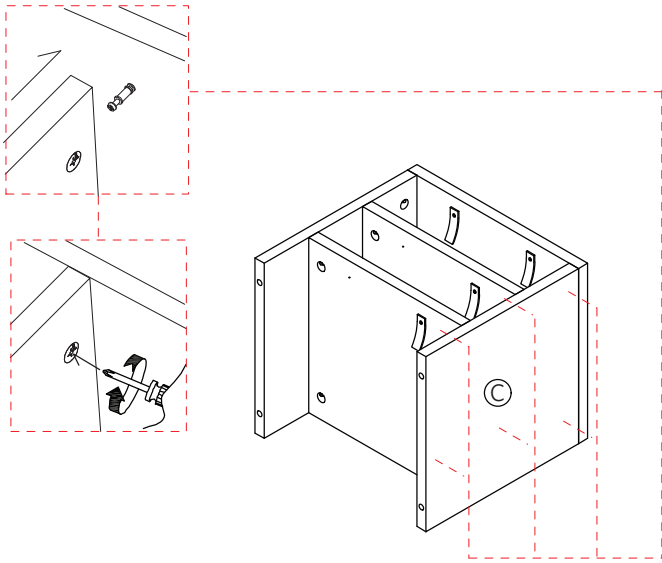


6 STEP 6

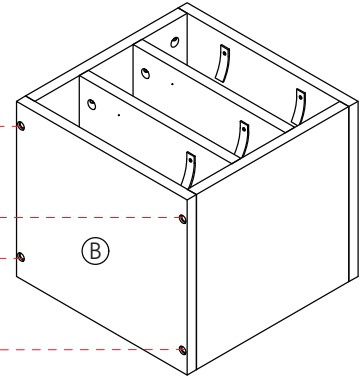
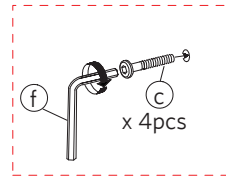


ASSEMBLY INSTRUCTIONS

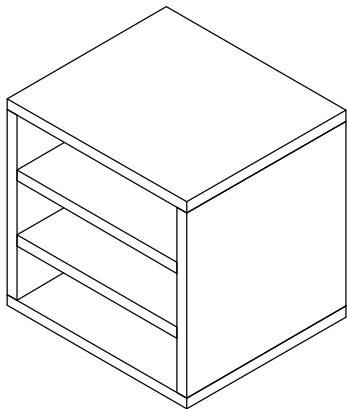
7 STEP 7



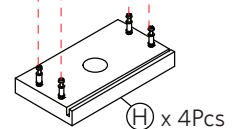
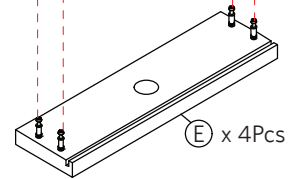
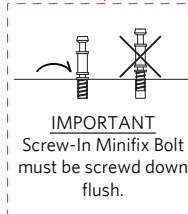
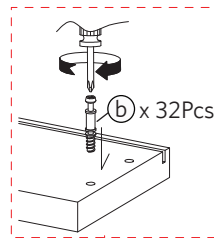
8 STEP 8



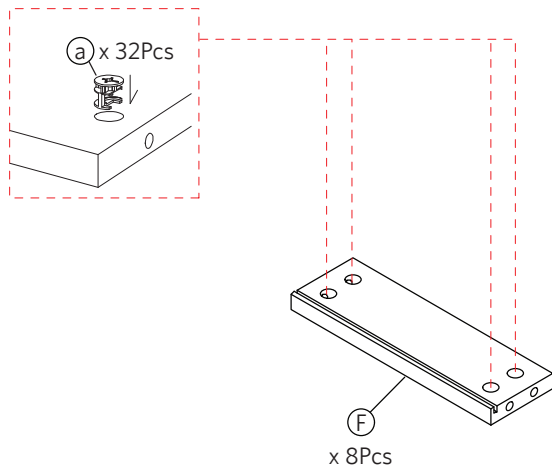
9 STEP 9



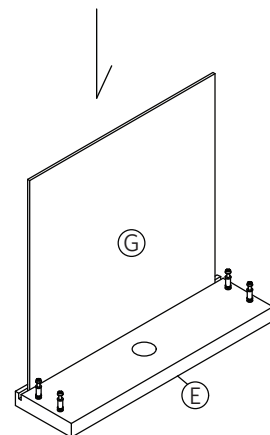
10 STEP 10



11 STEP 11

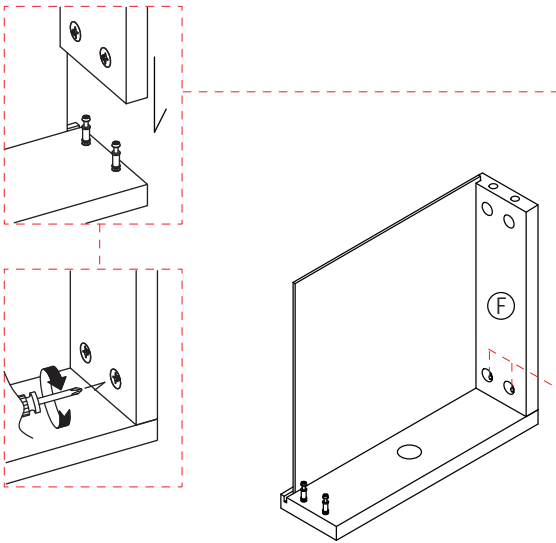


12 STEP 12

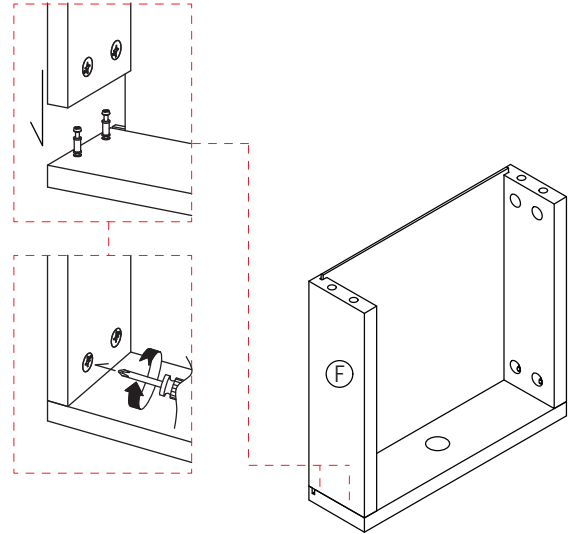


ASSEMBLY INSTRUCTIONS

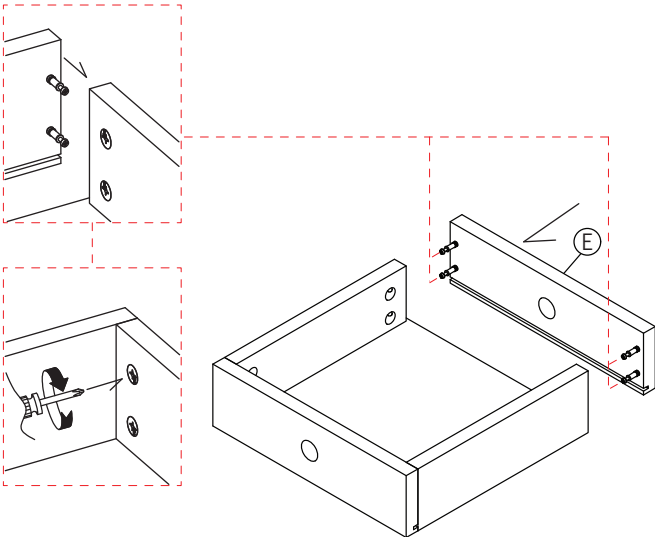
13 STEP 13



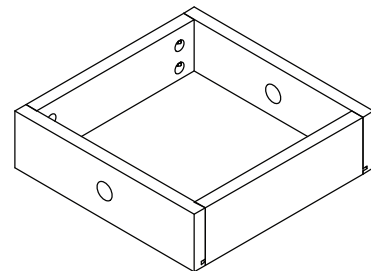
14 STEP 14



15 STEP 15

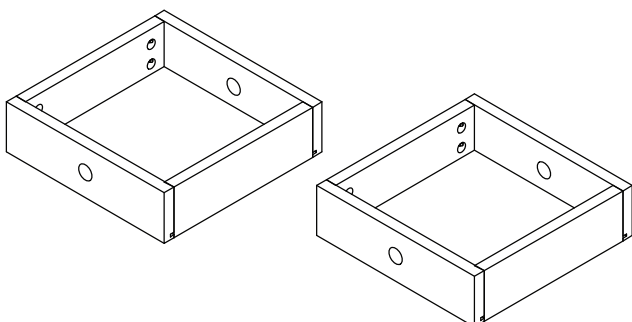


16 STEP 16

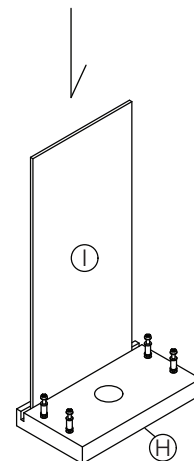


*Please repeat step 12 - step 15 to assemble second drawer(big).

17 STEP 17

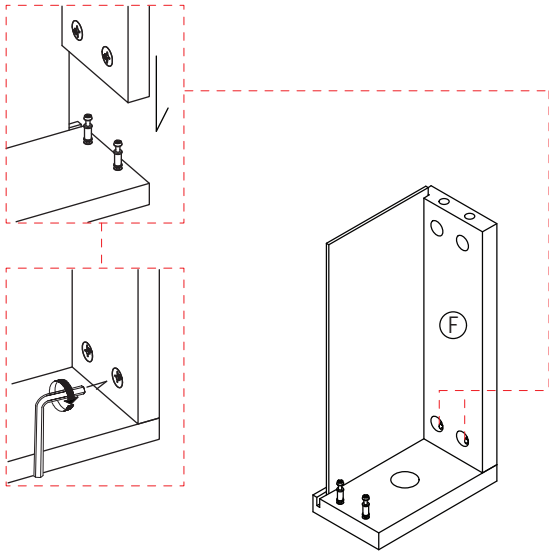


18 STEP 18

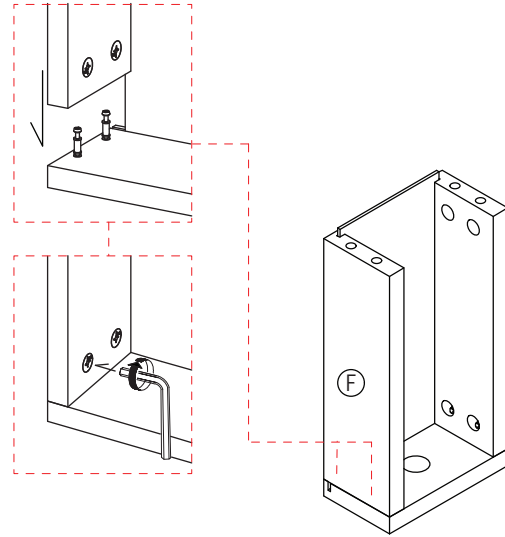


ASSEMBLY INSTRUCTIONS

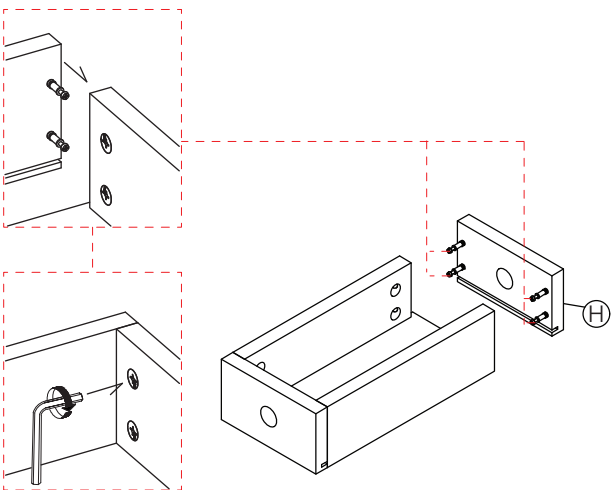
19 STEP 19



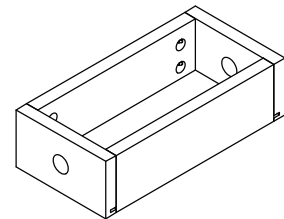
20 STEP 20



21 STEP 21

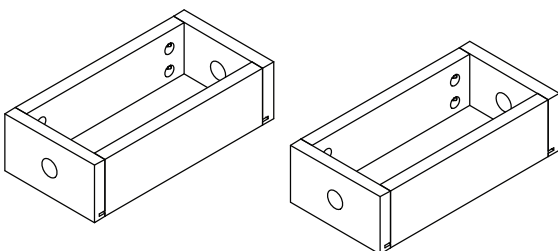


22 STEP 22

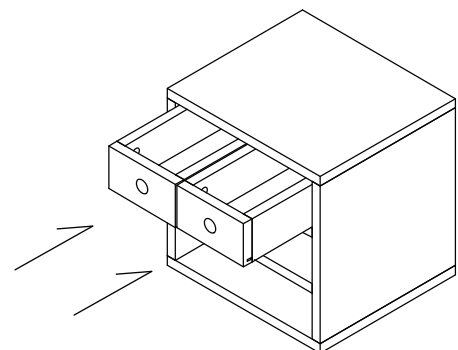


*Please repeat step 18 - step 21 to assemble second drawer (small).

23 STEP 23

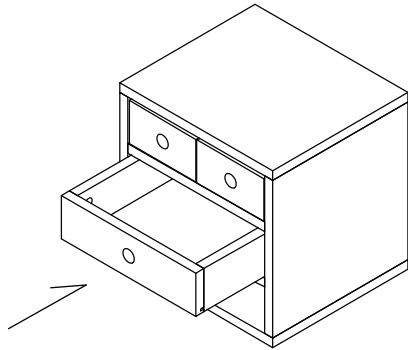


24 STEP 24

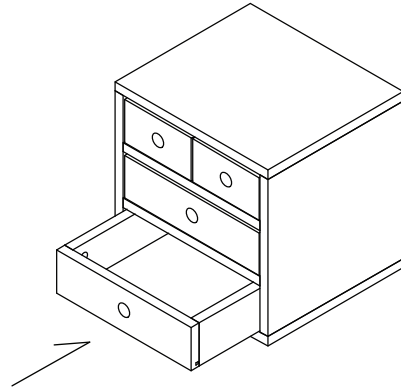


ASSEMBLY INSTRUCTIONS

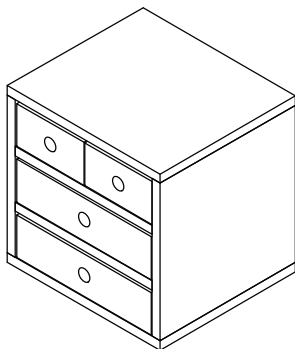
25 STEP 25



26 STEP 26



27 STEP 27



28 STEP 28 (OPTIONAL)

*If you want to use drawers on both sides, do not install plastic stopper(s) on Step 03.

