

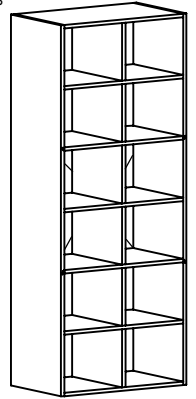
OPEN SHELF 2 X 6

ITEM NO. 25-4627A-3

TIPS

- 1 Please review all parts and hardware before disposing of any packaging.
- 2 Check to be sure that all parts and hardware are complete before you start assembly.
- 3 Before beginning assembly, separate each type of screw.
- 4 Using a screw that is too long will cause damage.
- 5 Carefully study the screw diagrams below.
- 6 You may receive extra hardware with your unit.
- 7 Place all parts on a clean and smooth surface to avoid the parts from being scratched.
- 8 Keep the product away from heat and humidity.
- 9 Light blue stains and natural wood knots on the product are not considered defects.

Scan Me For Step-By-Step
Real Photo Assembly Instructions

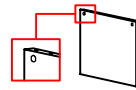


PART LIST

A Top & Bottom Panel
2Pcs



B Center Panel (1)
2Pcs



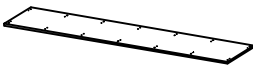
C Center Panel (2)
4Pcs



D Shelf Panel
5Pcs

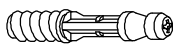


E Side Panel
2Pcs



HARDWARE LIST

F MINIFIX BOLT
32Pcs



G WOOD DOWEL
M10 X 30MM
52Pcs



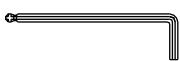
H CSK C/B SCREW
M4 X 32MM
10Pcs



I MINIFIX NUT
32Pcs



J ALLEN KEY M4
1Pc



K WIRE ROPE
2Pcs

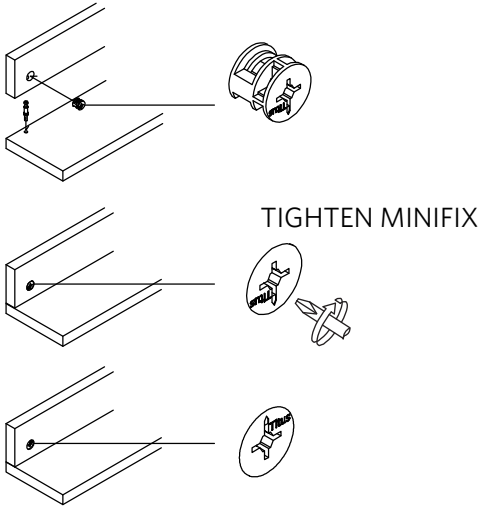


L PAN HEAD C/B SCREW
M4 X 12MM
4Pcs



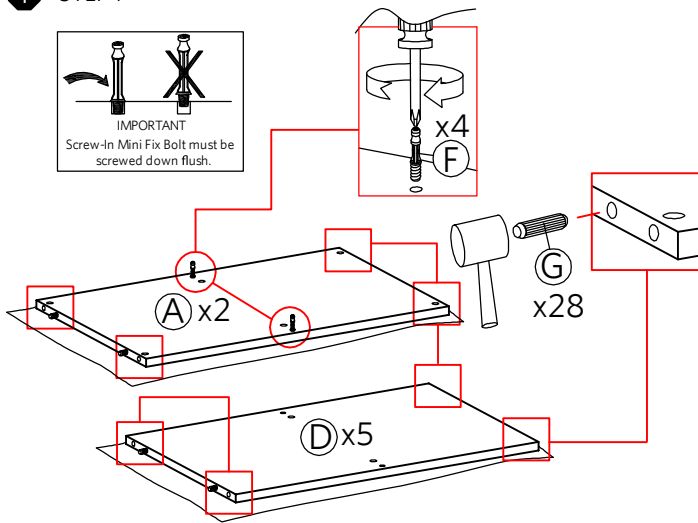
ATTENTION :

MINIFIX MUST USED IN THE CORRECT WAY :

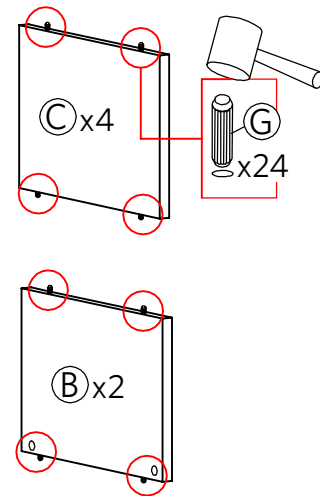


ASSEMBLY INSTRUCTIONS

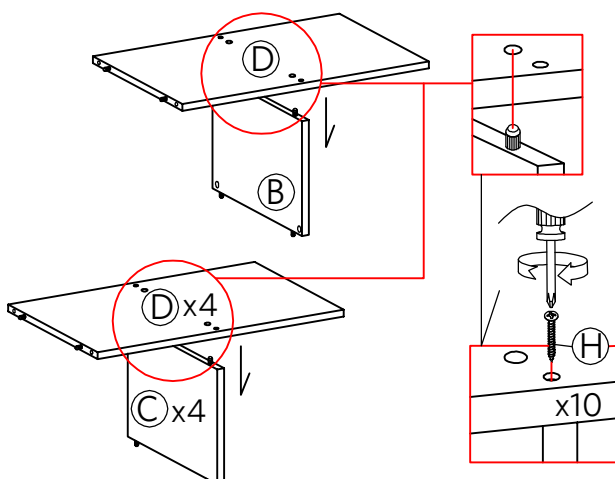
1 STEP 1



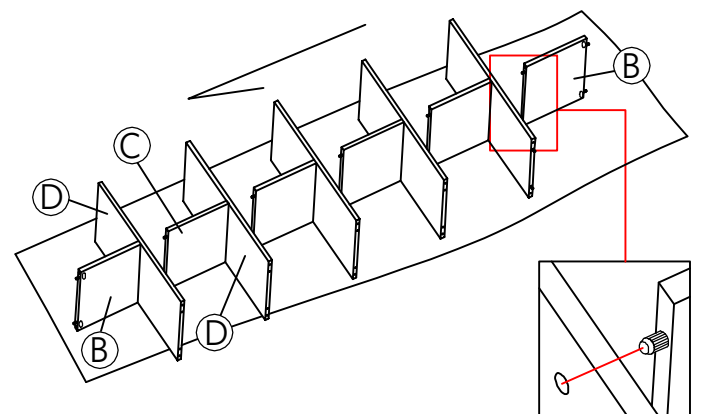
2 STEP 2



3 STEP 3

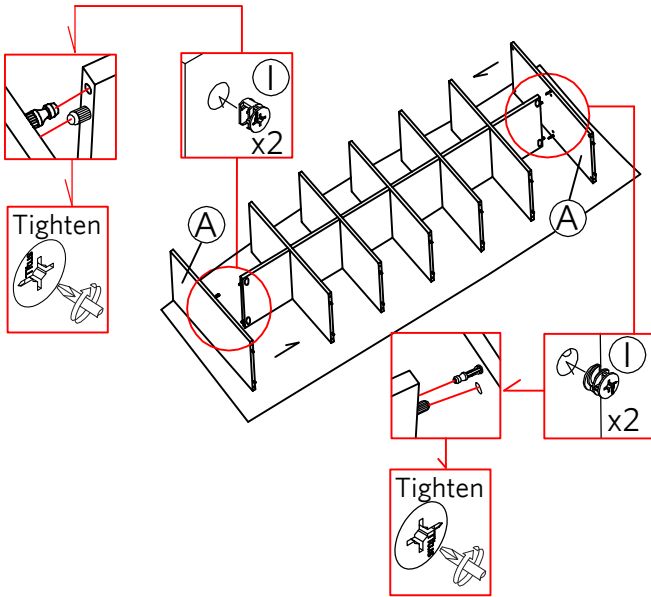


4 STEP 4

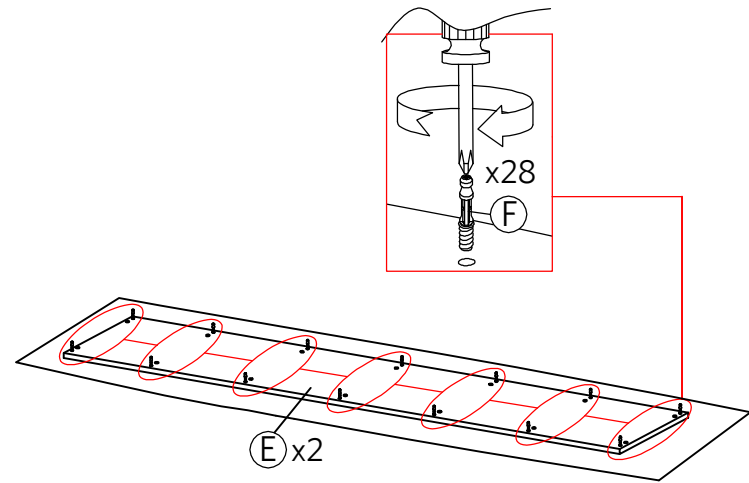


ASSEMBLY INSTRUCTIONS

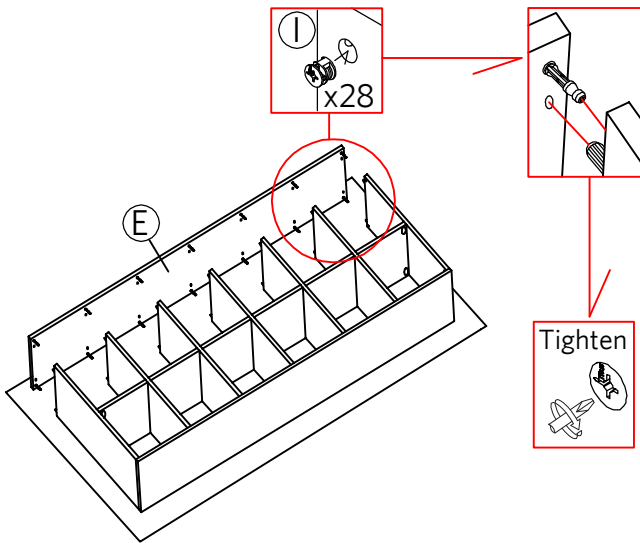
5 STEP 5



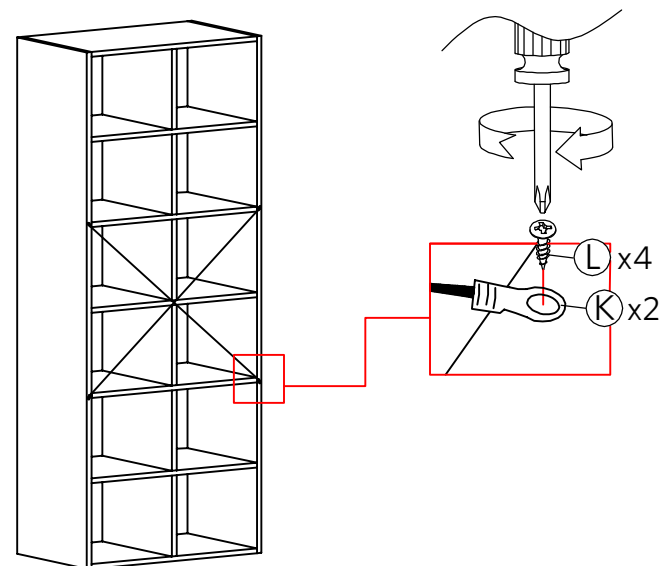
6 STEP 6



7 STEP 7



8 STEP 8



9 STEP 9

