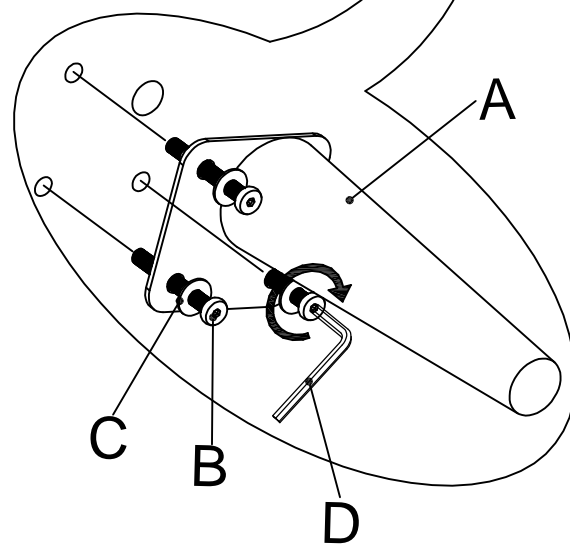
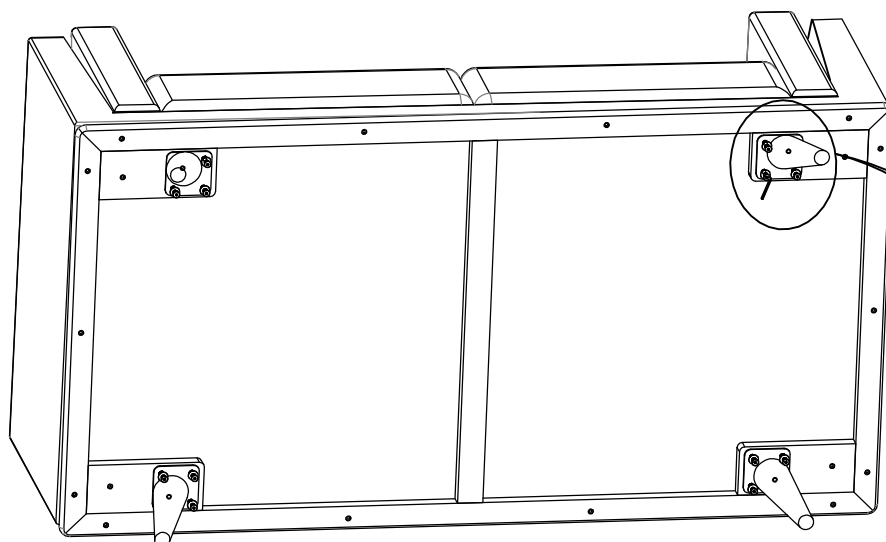
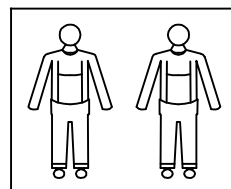






# ASSEMBLY INSTRUCTION



-  — A X 4
-  — B X 12
-  — C X 12
-  — D X 1

